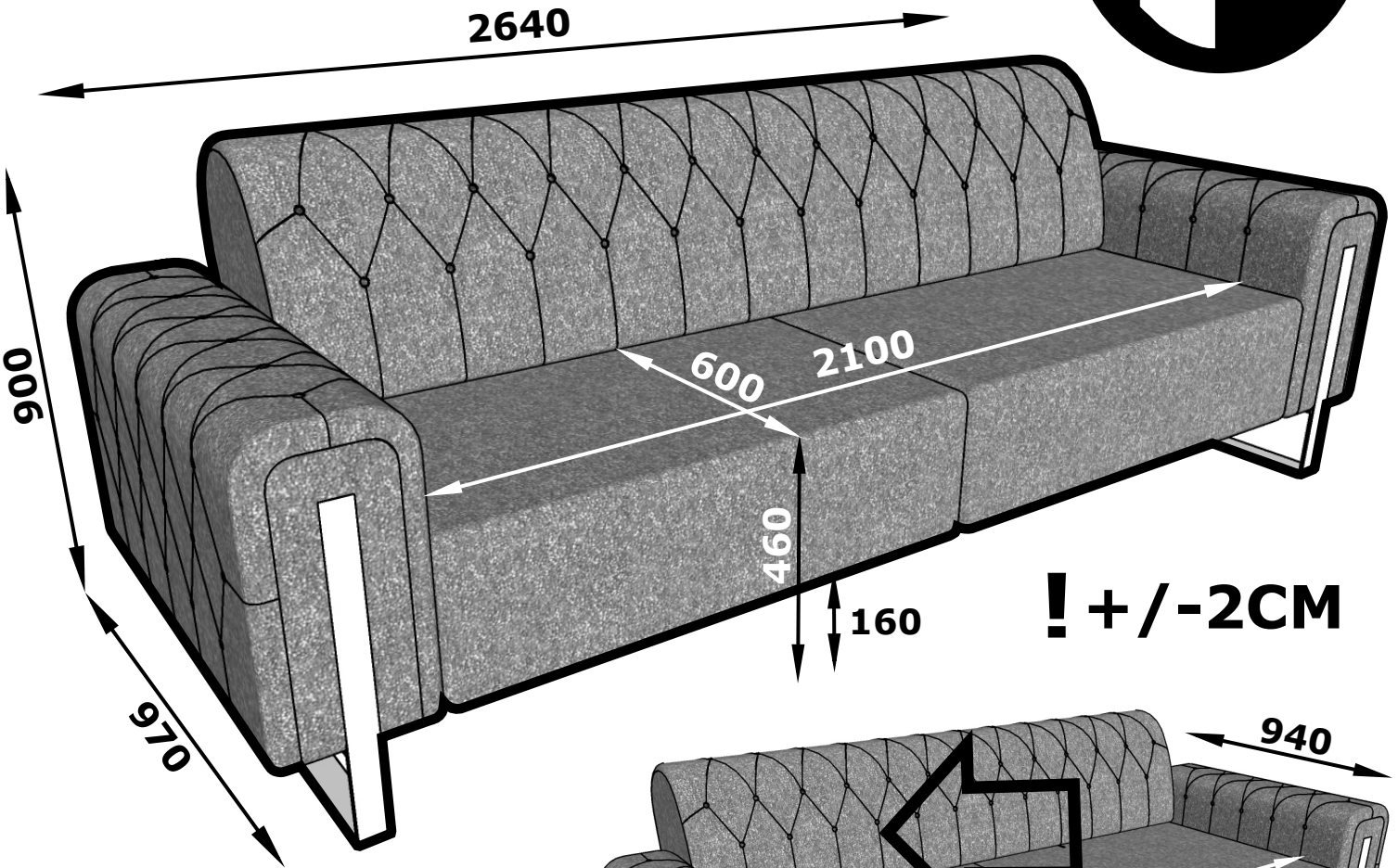
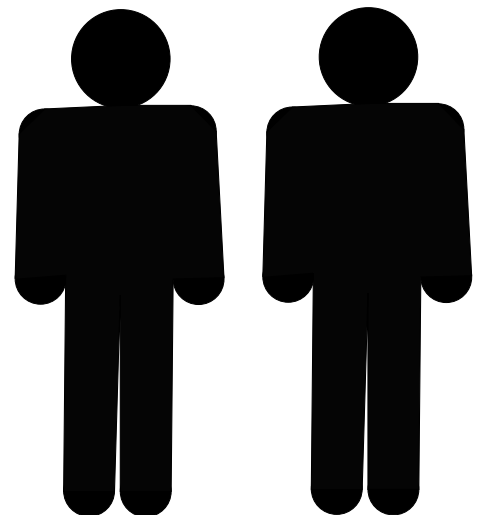
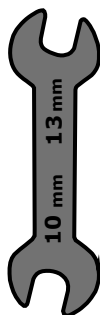
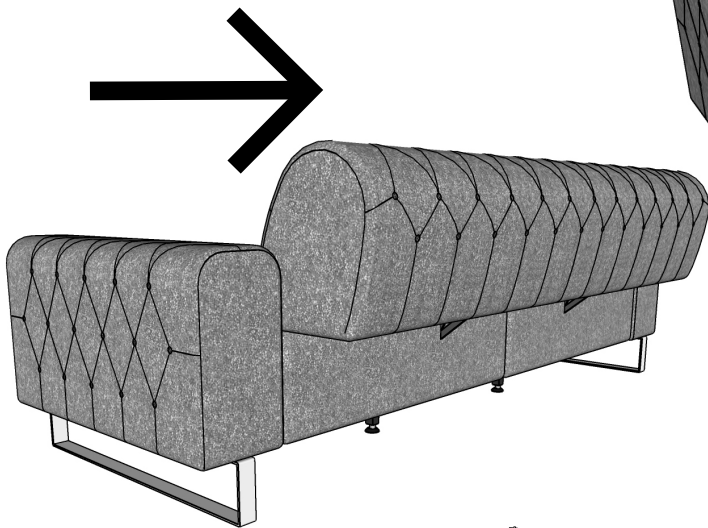
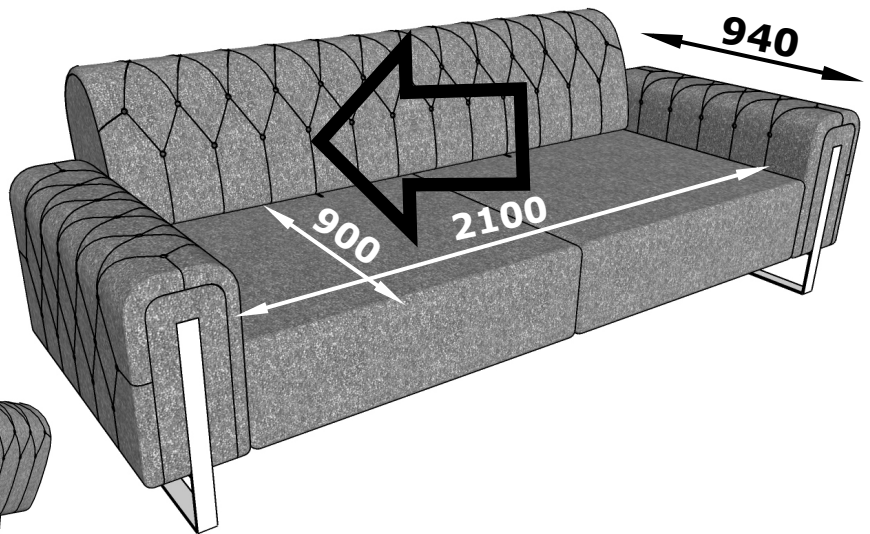
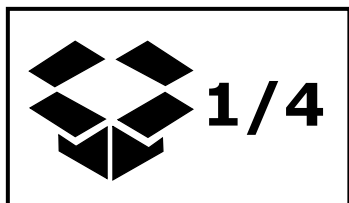


# SORENTO LINE 3st

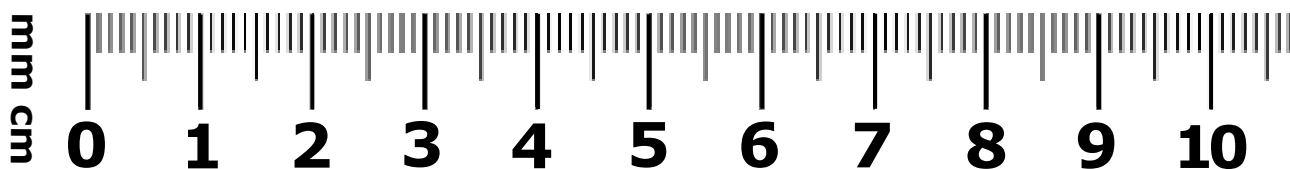
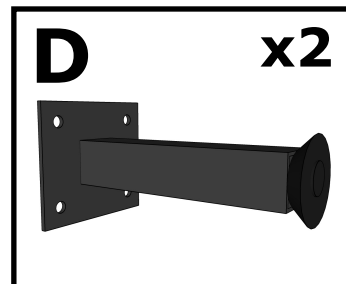
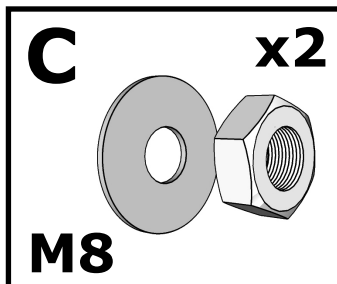
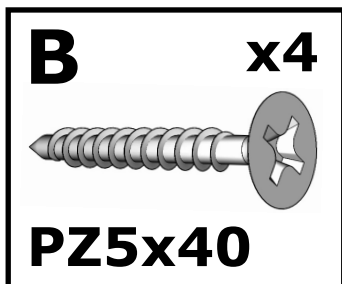
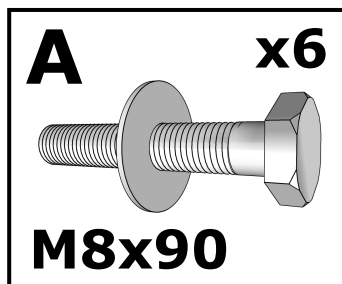
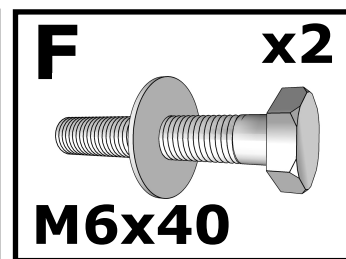
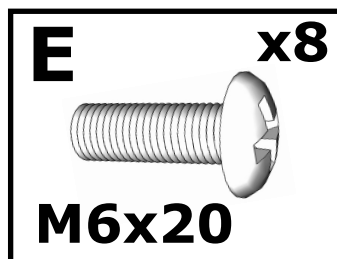
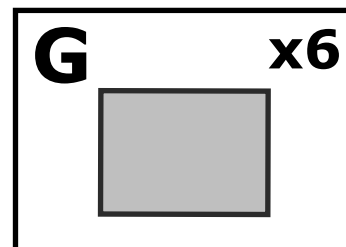
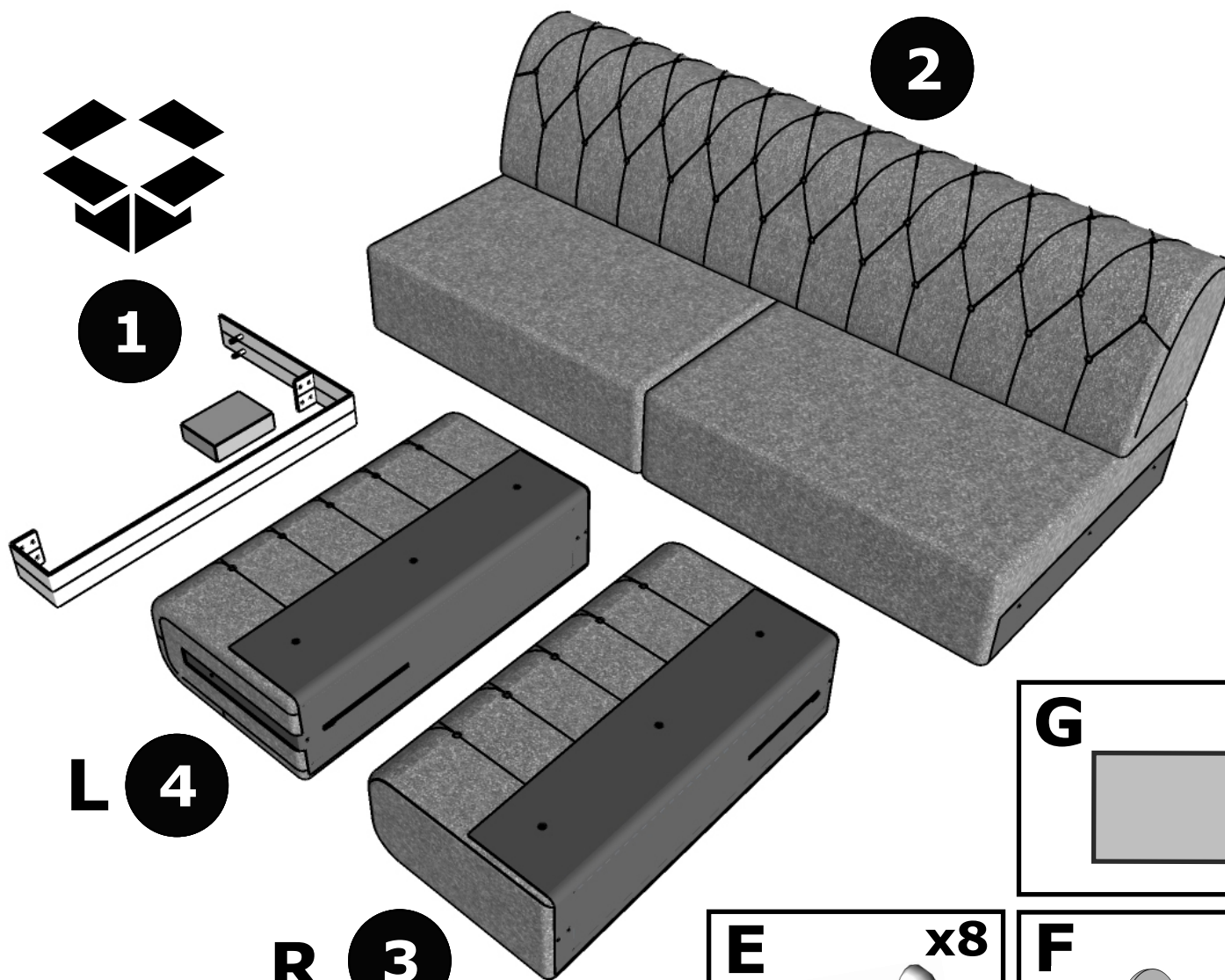


**! +/-2CM**

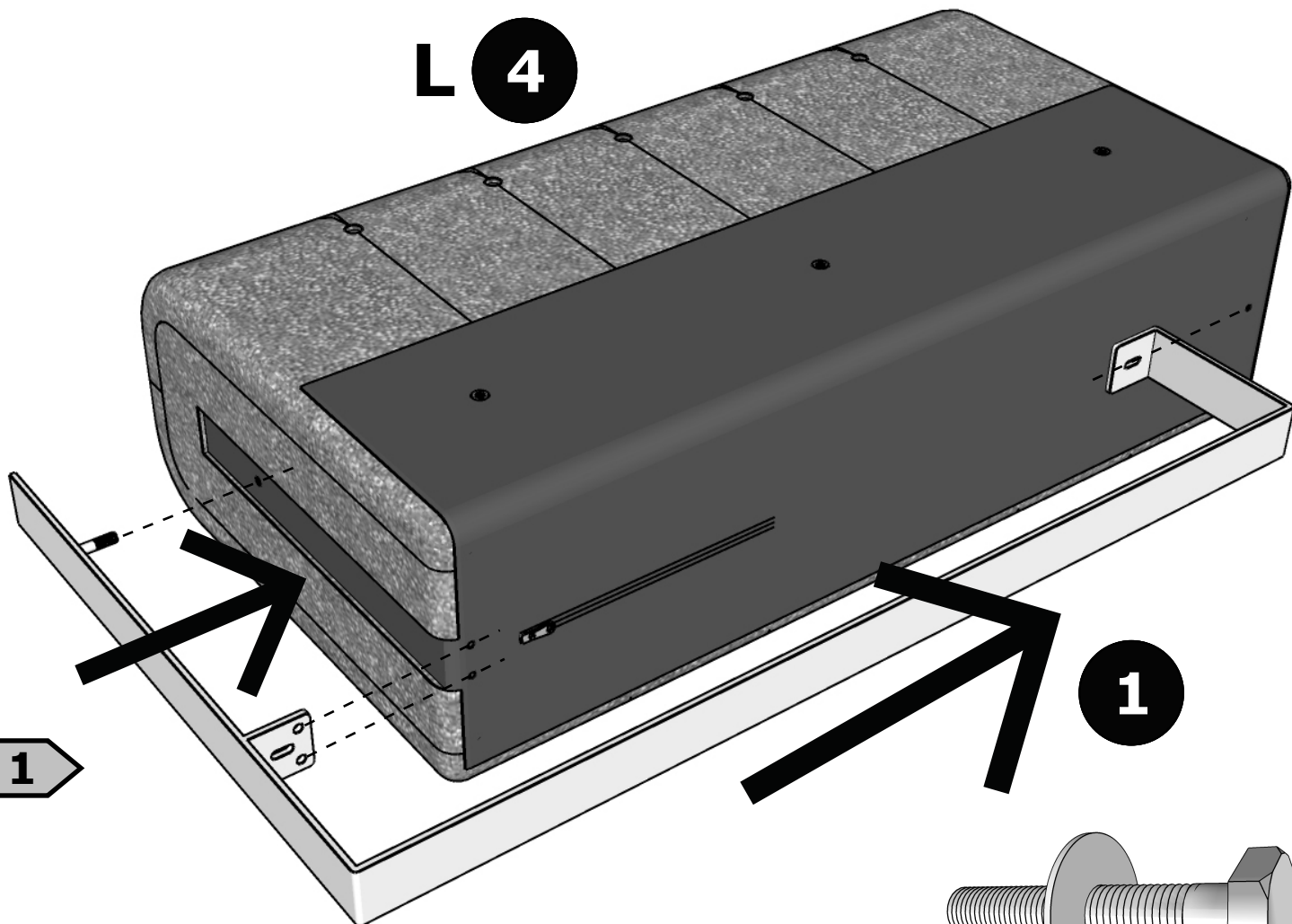




	L	B	H	PCS	
①	930	550	100	x1	1/4
②	2100	940	730	x1	2/4
③	940	500	270	x1	3/4
④	940	500	270	x1	4/4

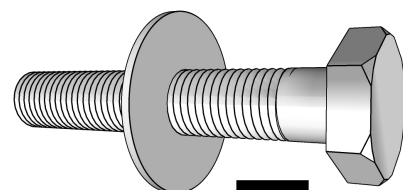


L 4



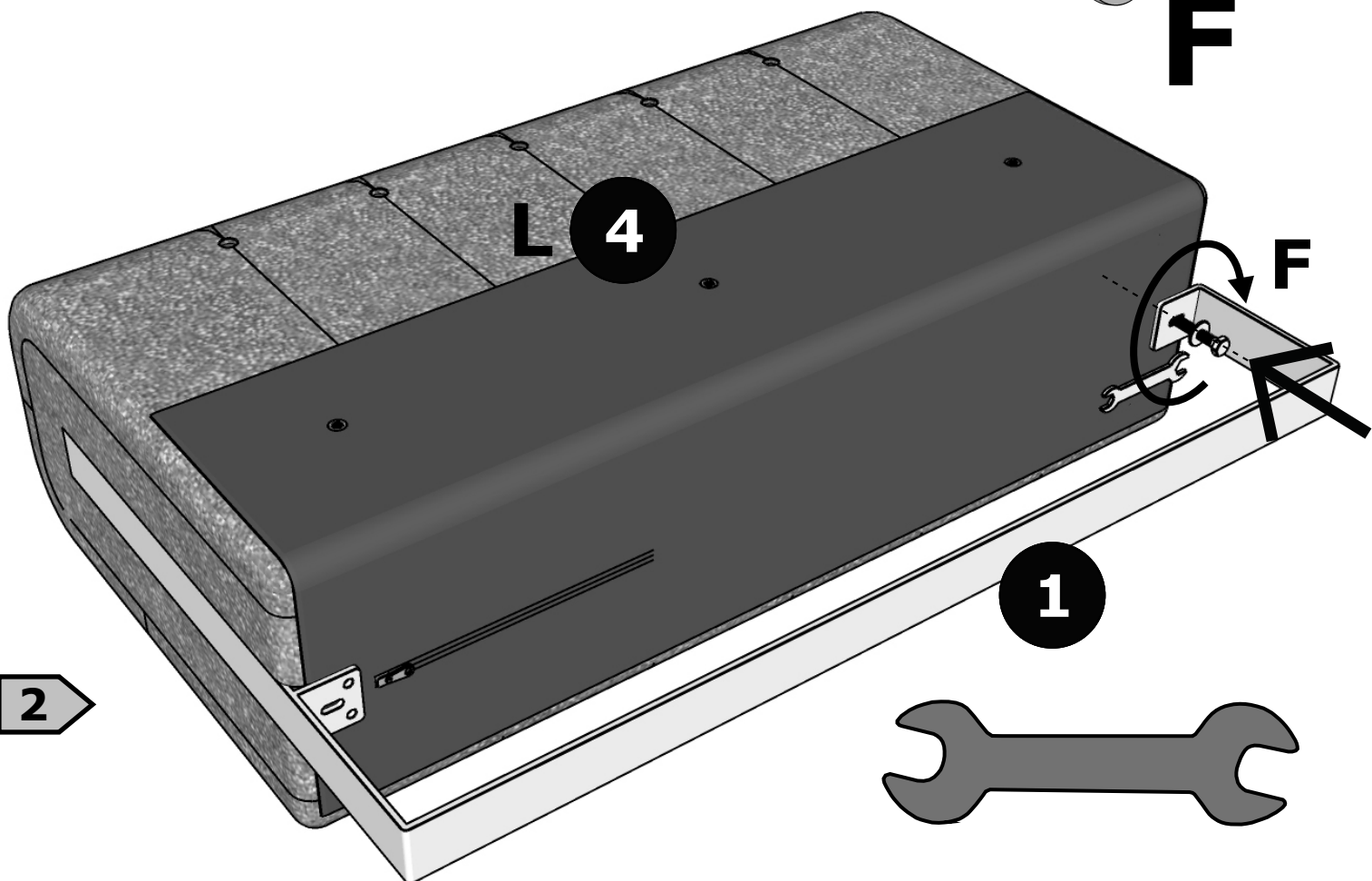
1

1



F

L 4

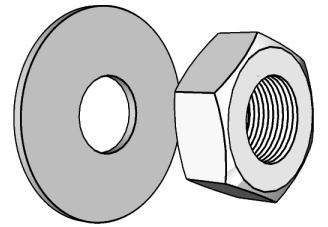
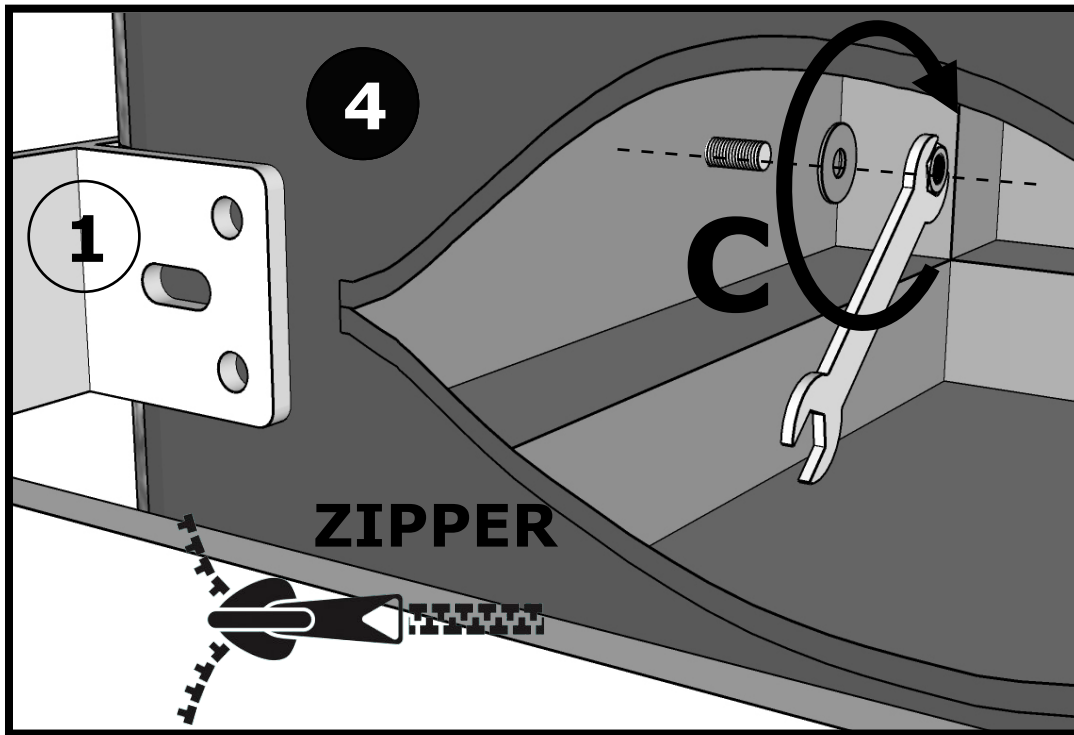
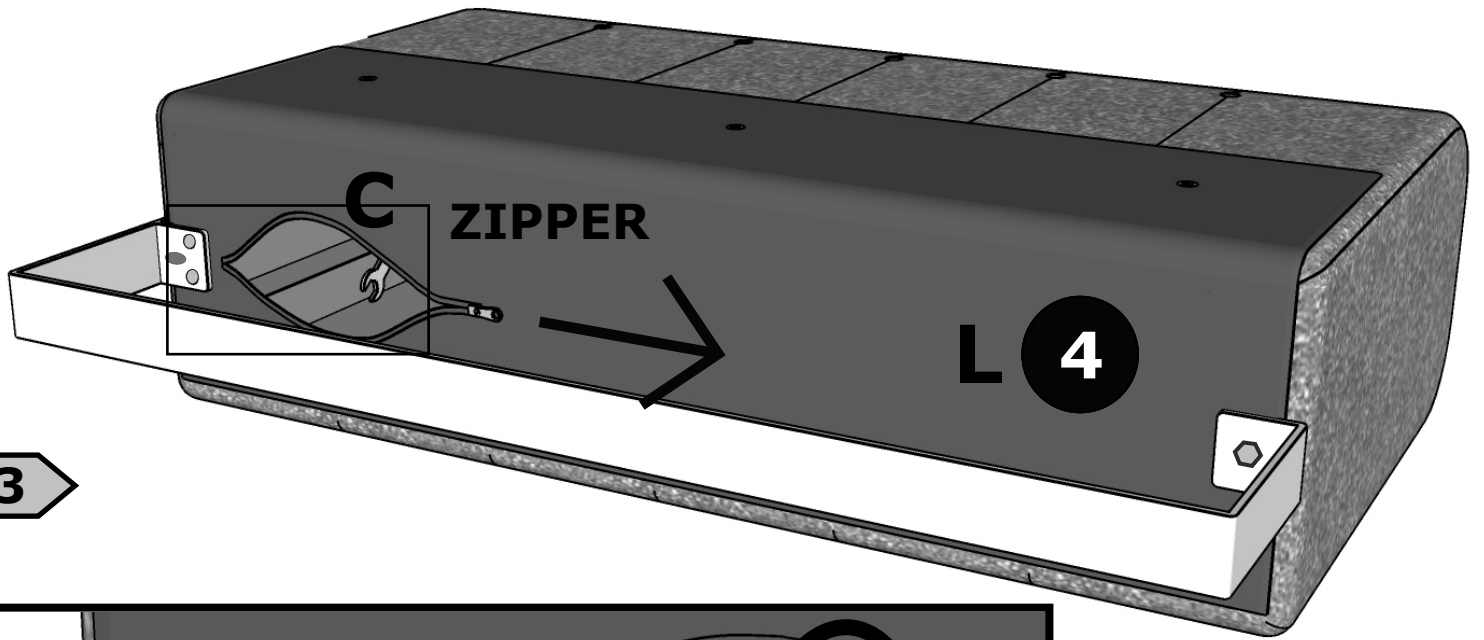


2

1

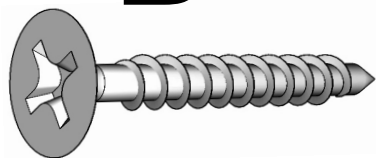
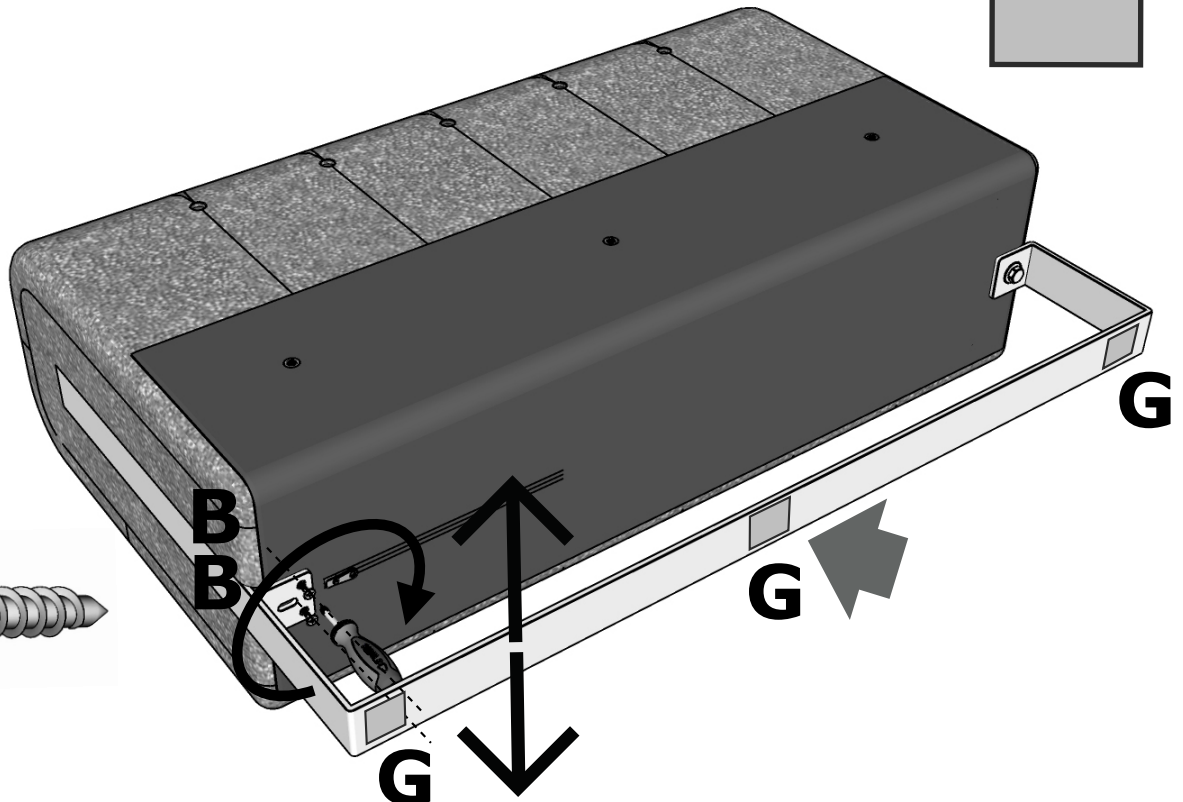
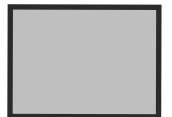
F

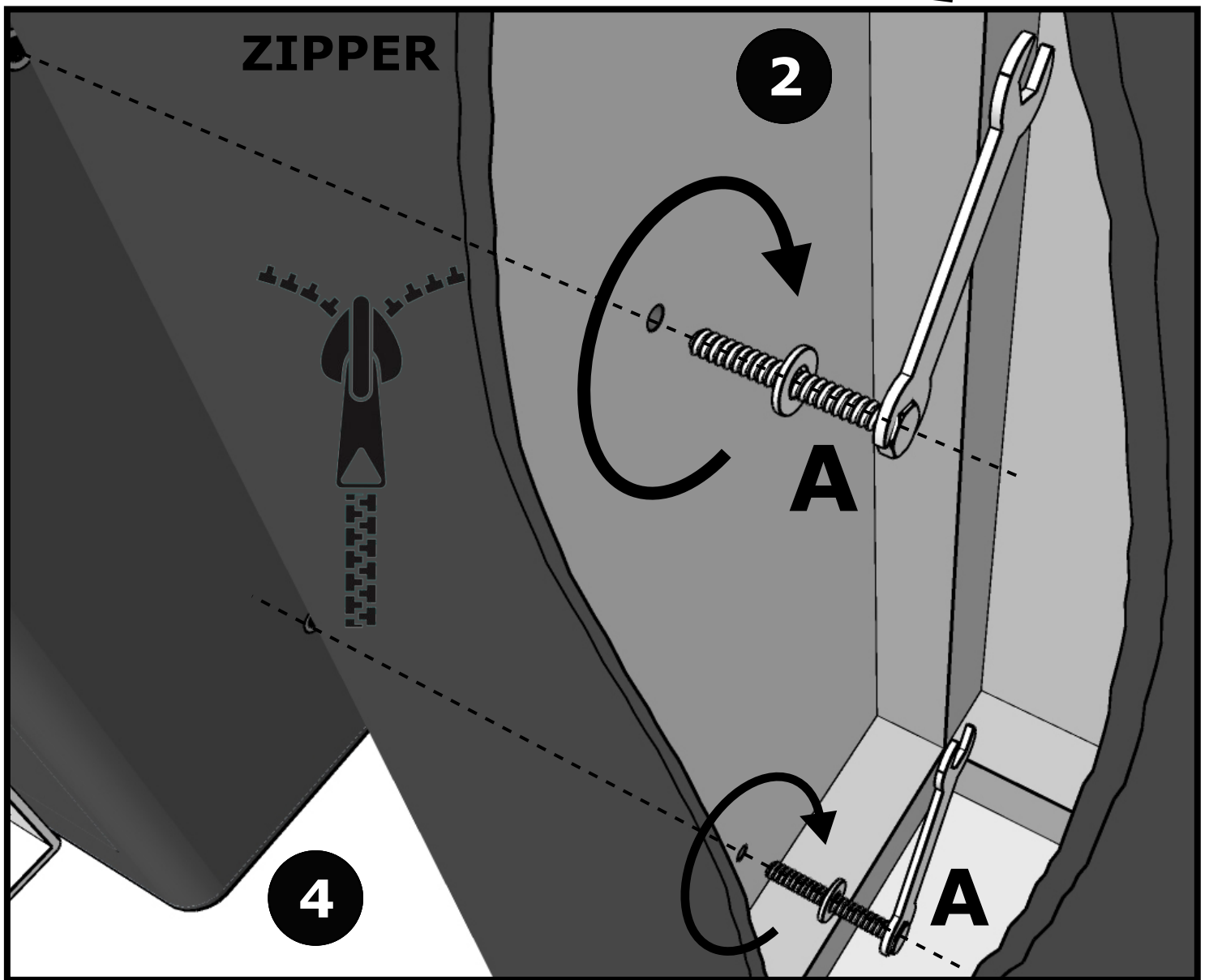
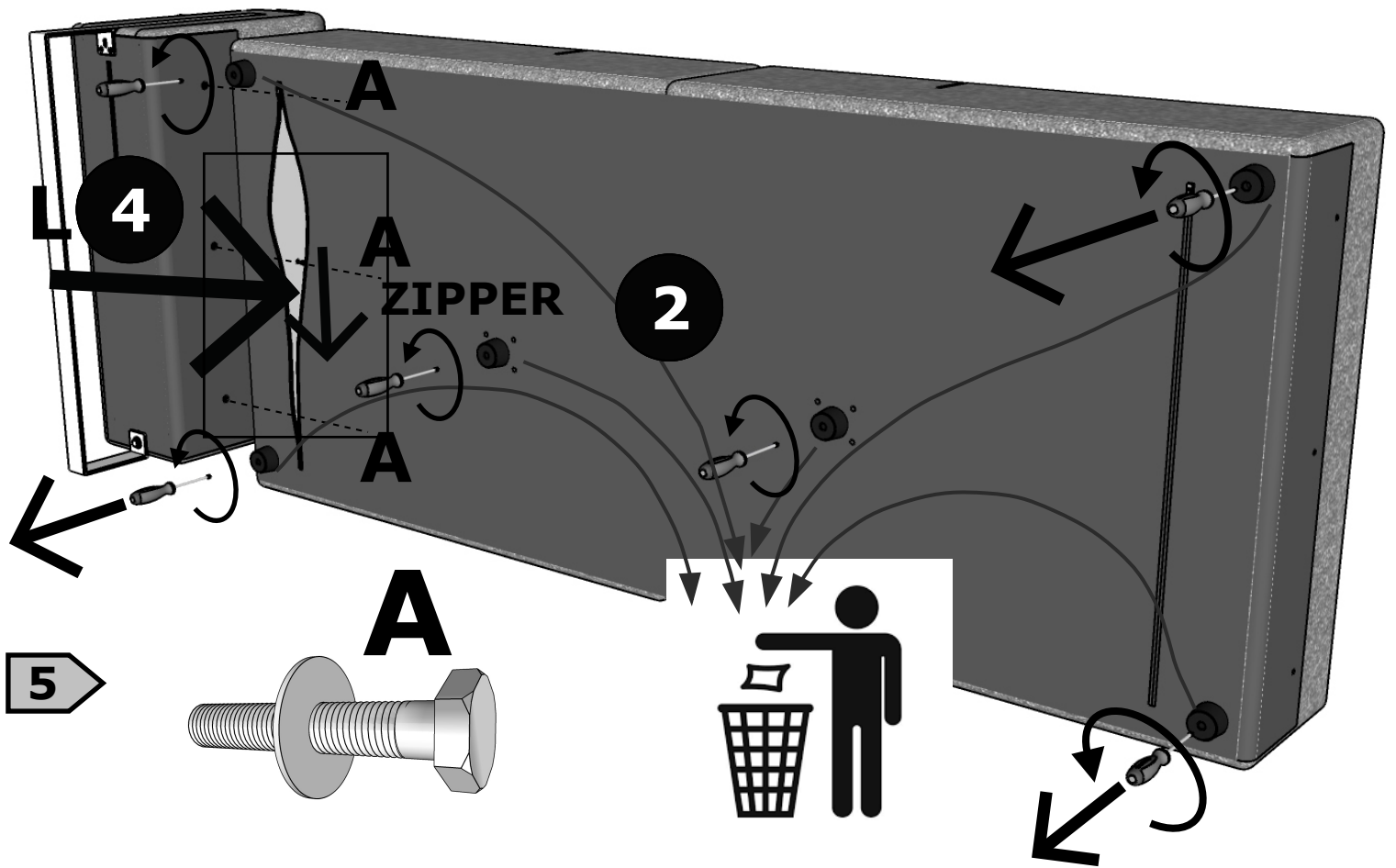


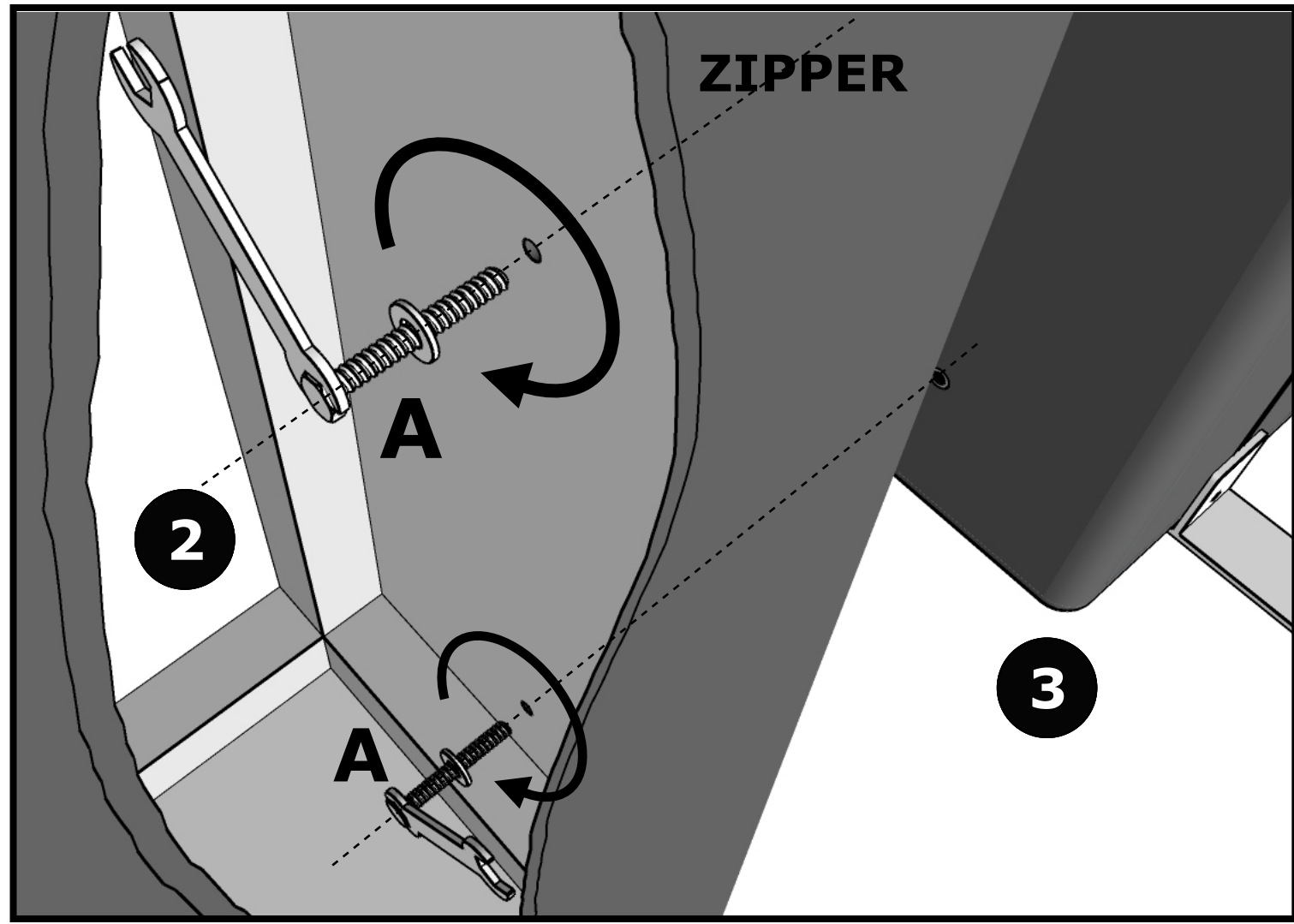
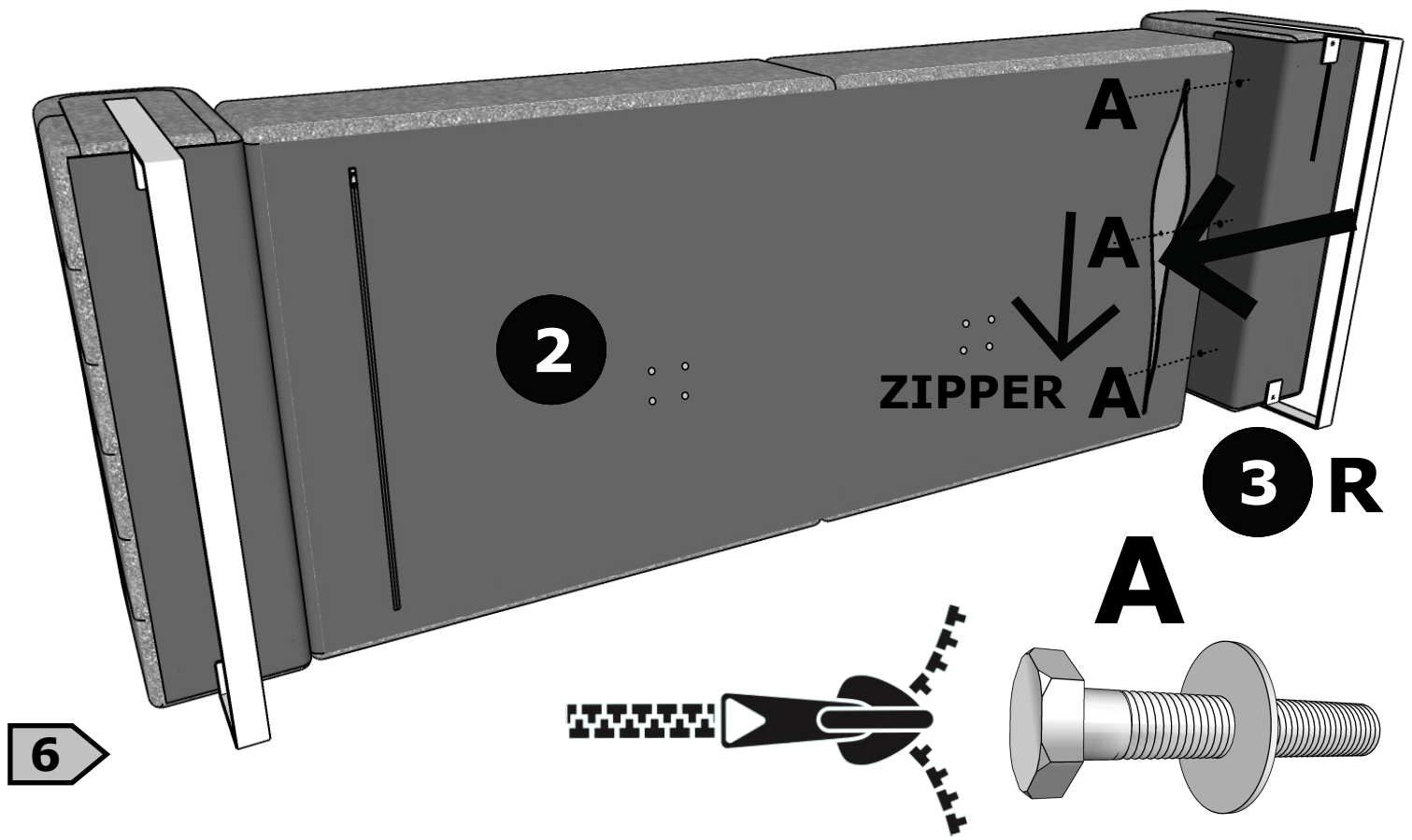


**C**

**G**

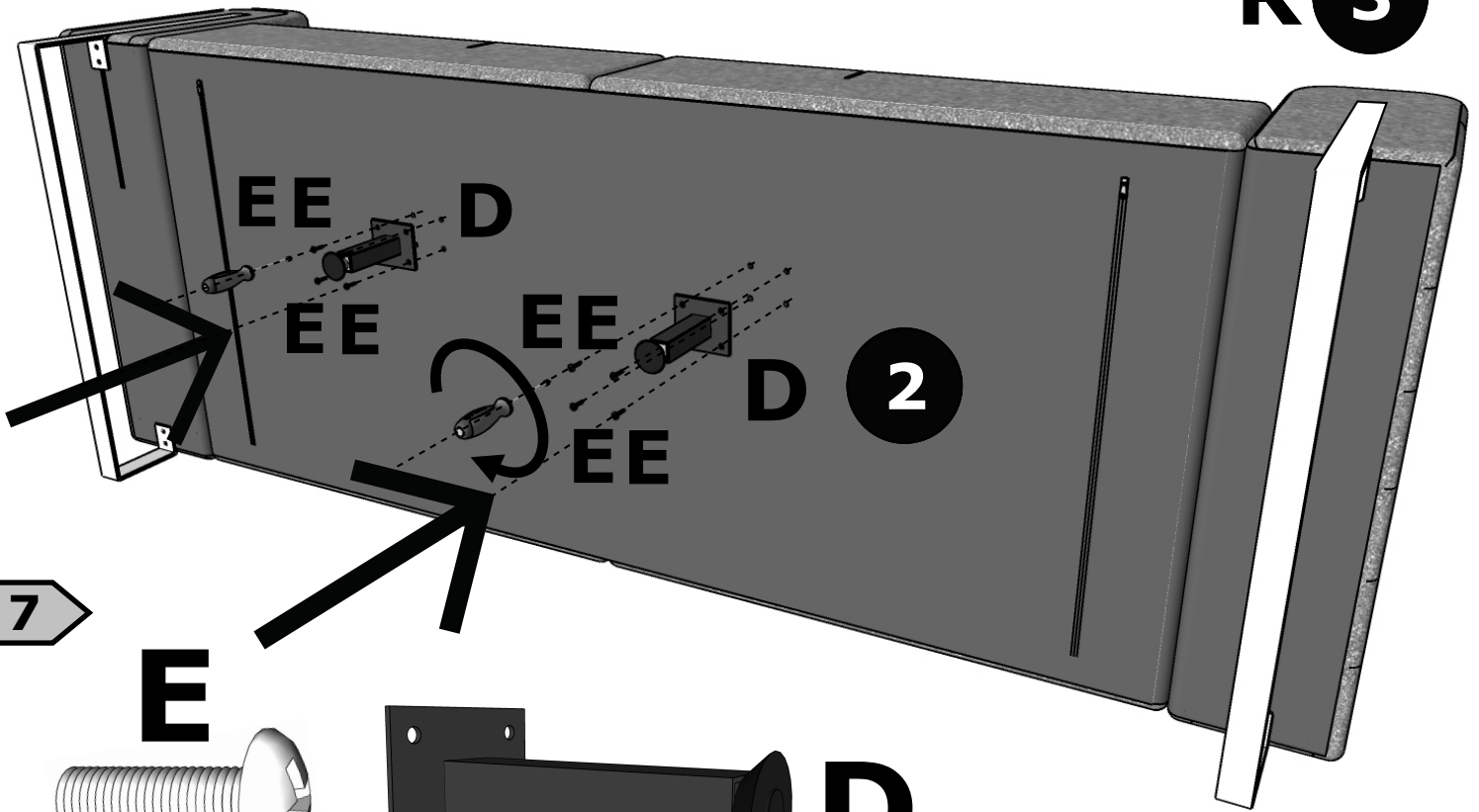






**4 L**

**R 3**



**7**

