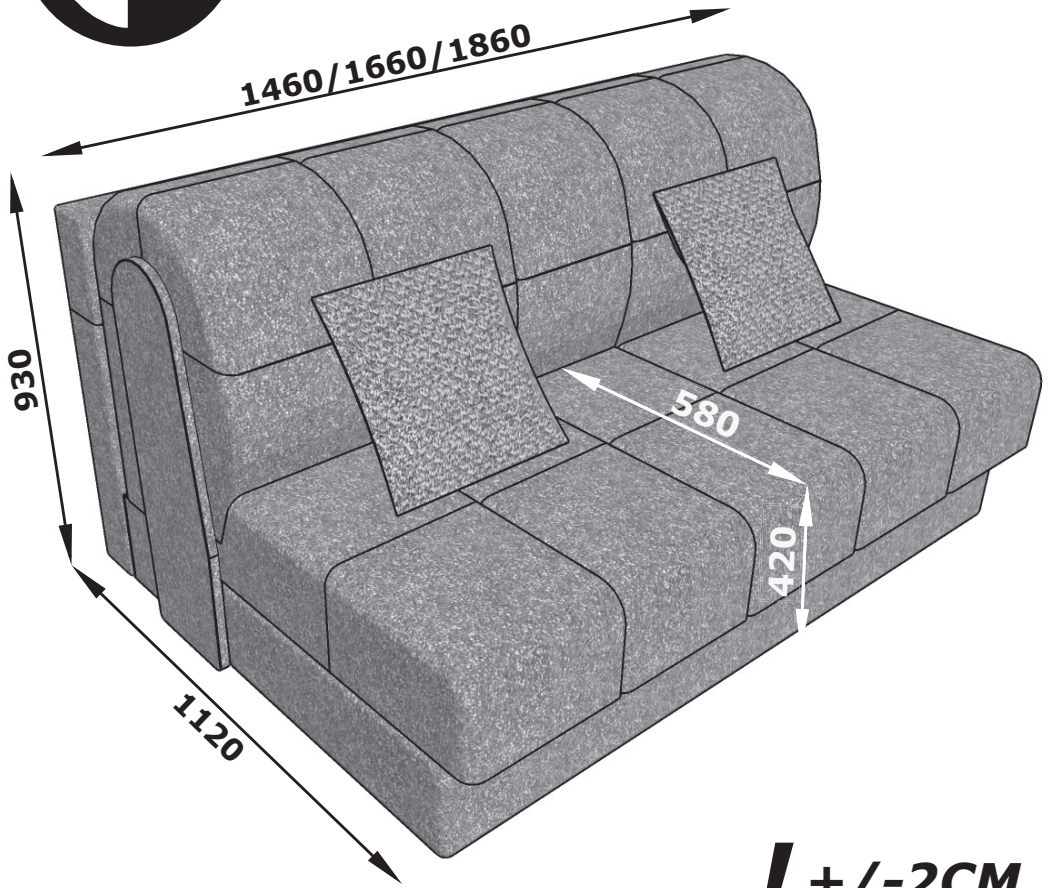
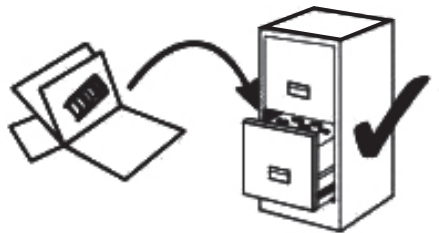
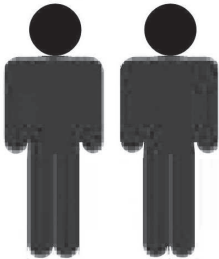




KANSAS

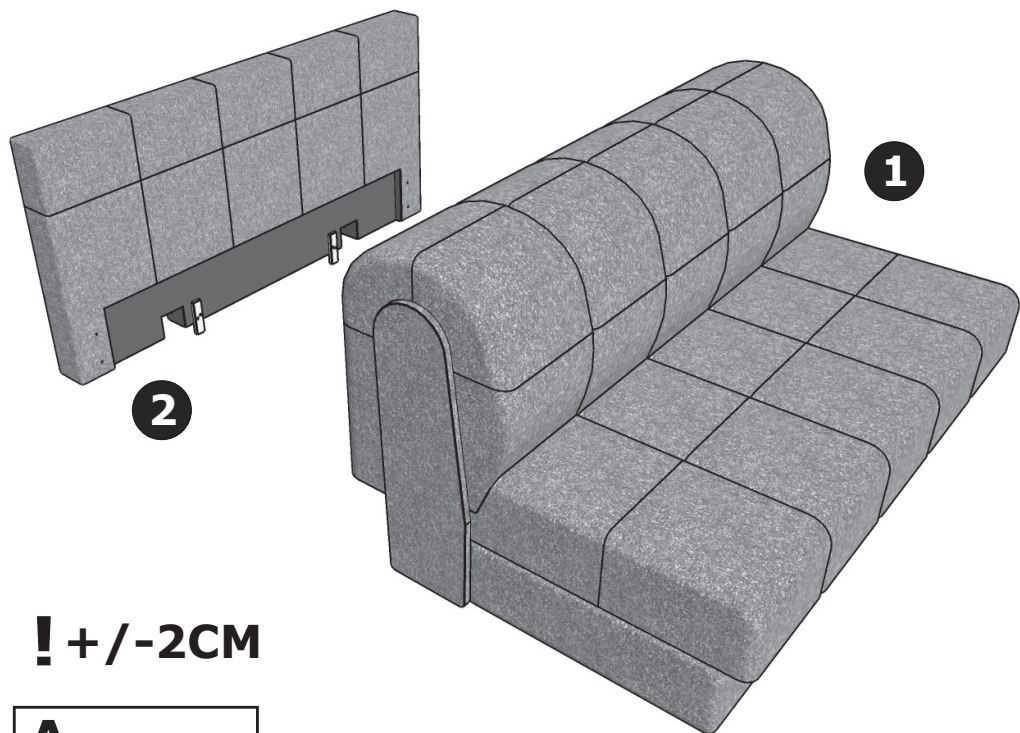


! +/-2CM

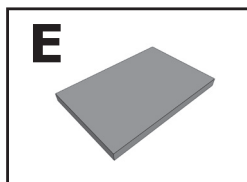
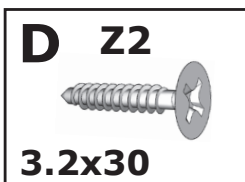
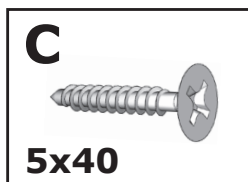
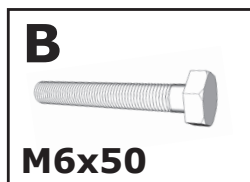
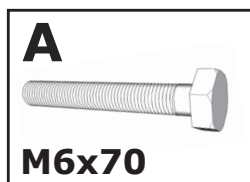


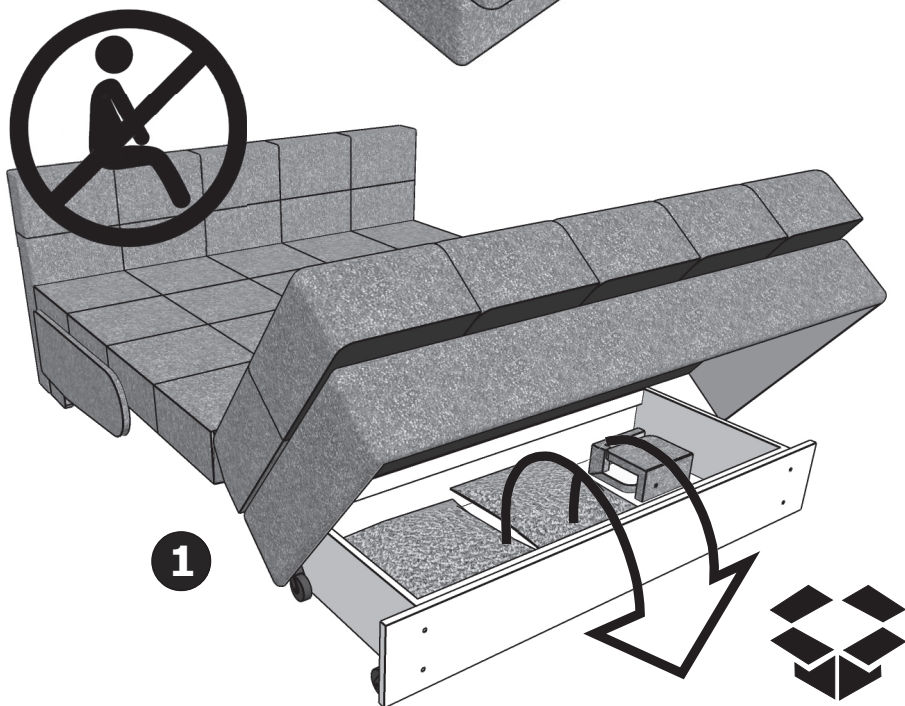
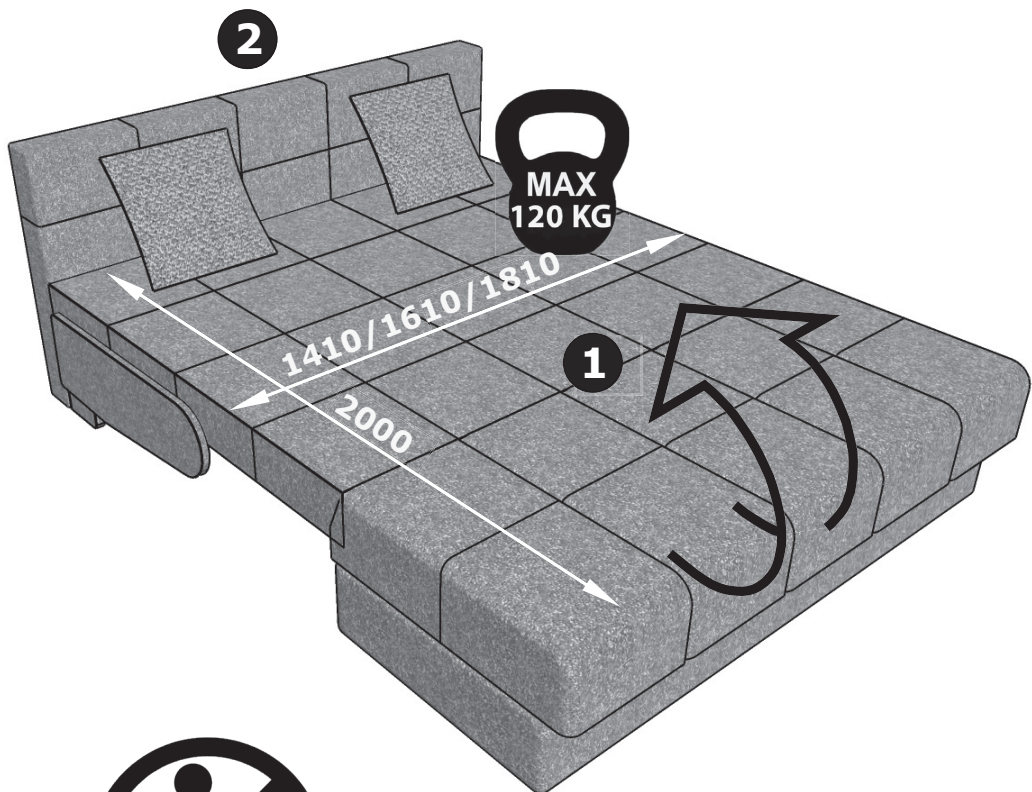


	L	B	H	PCS	
1	1460/1660/1860	1100	910	x1	1/2
2	1410/1610/1810	120	810	x1	2/2

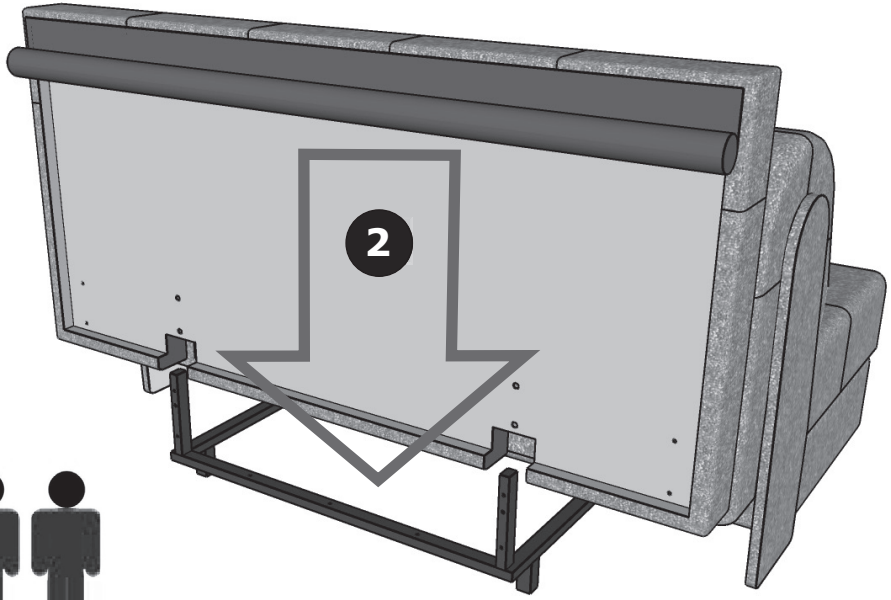


! +/-2CM

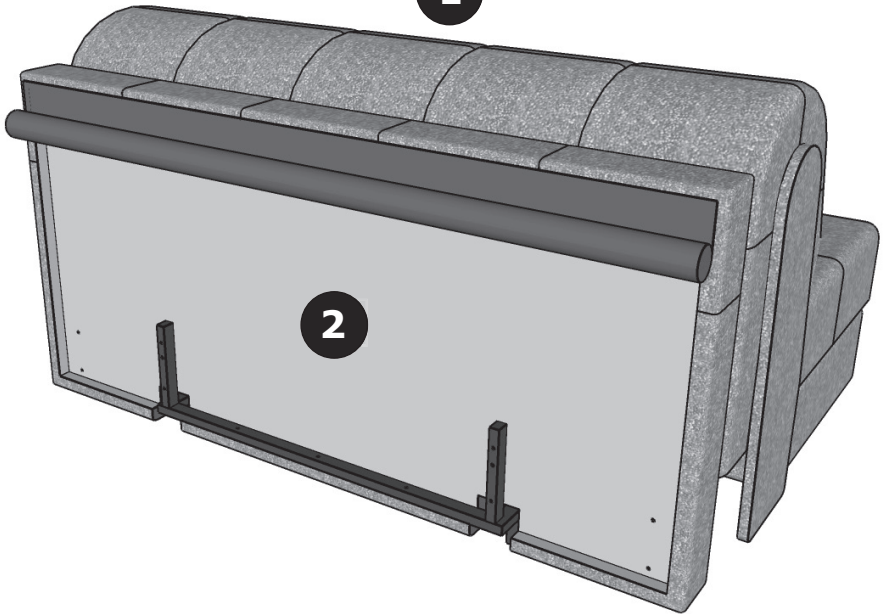


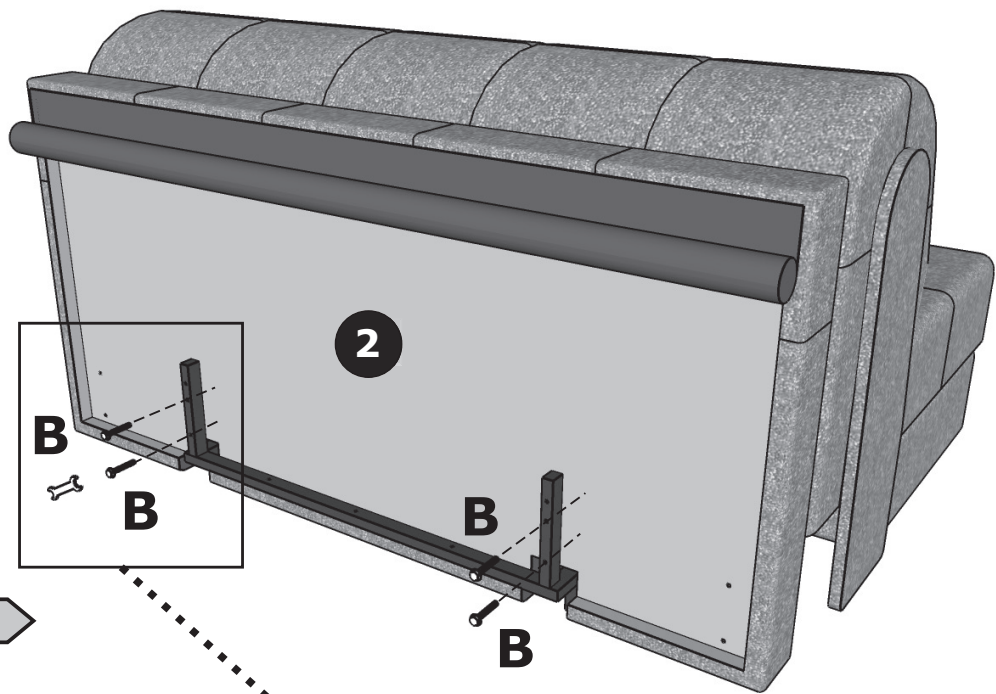


1

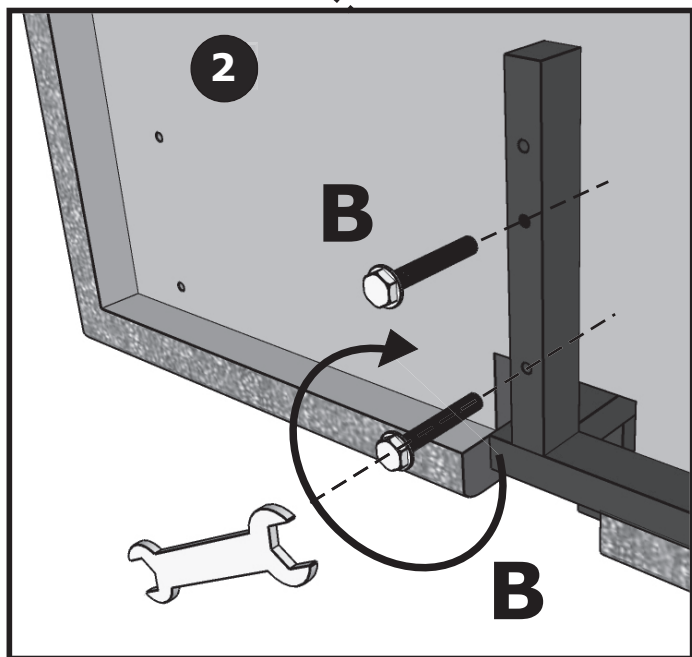


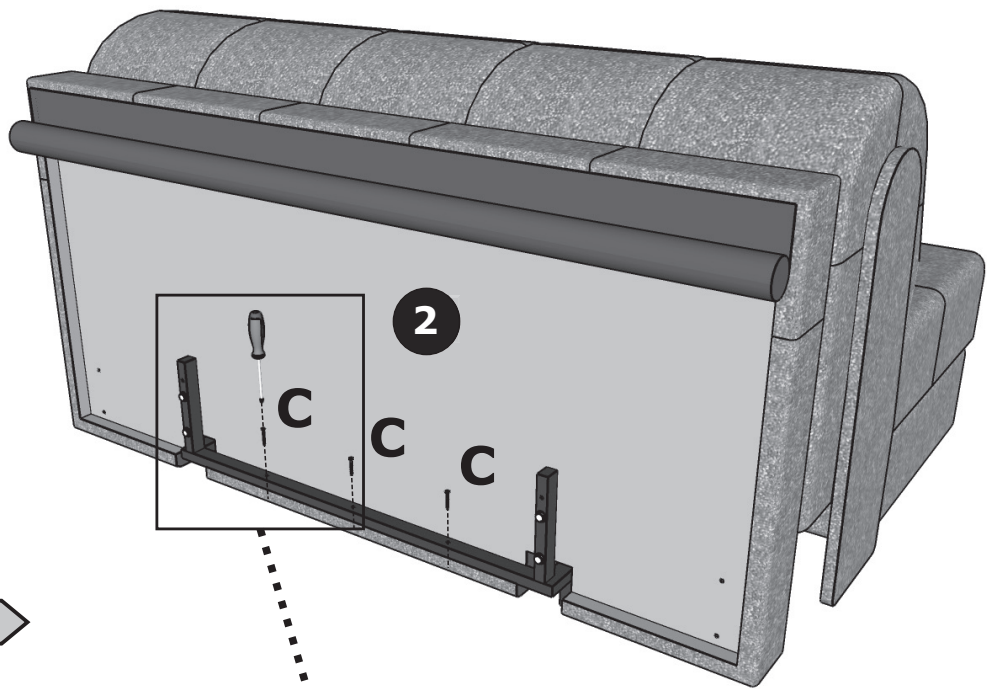
1





2





3

