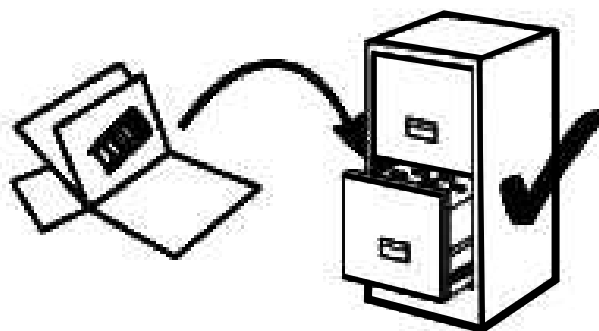
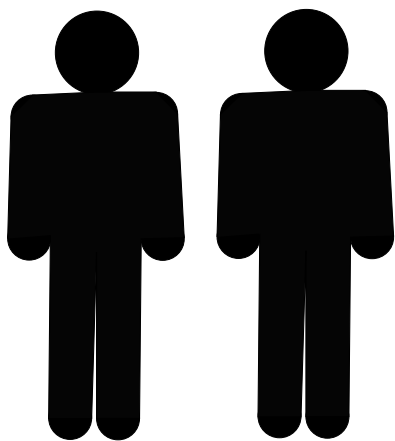
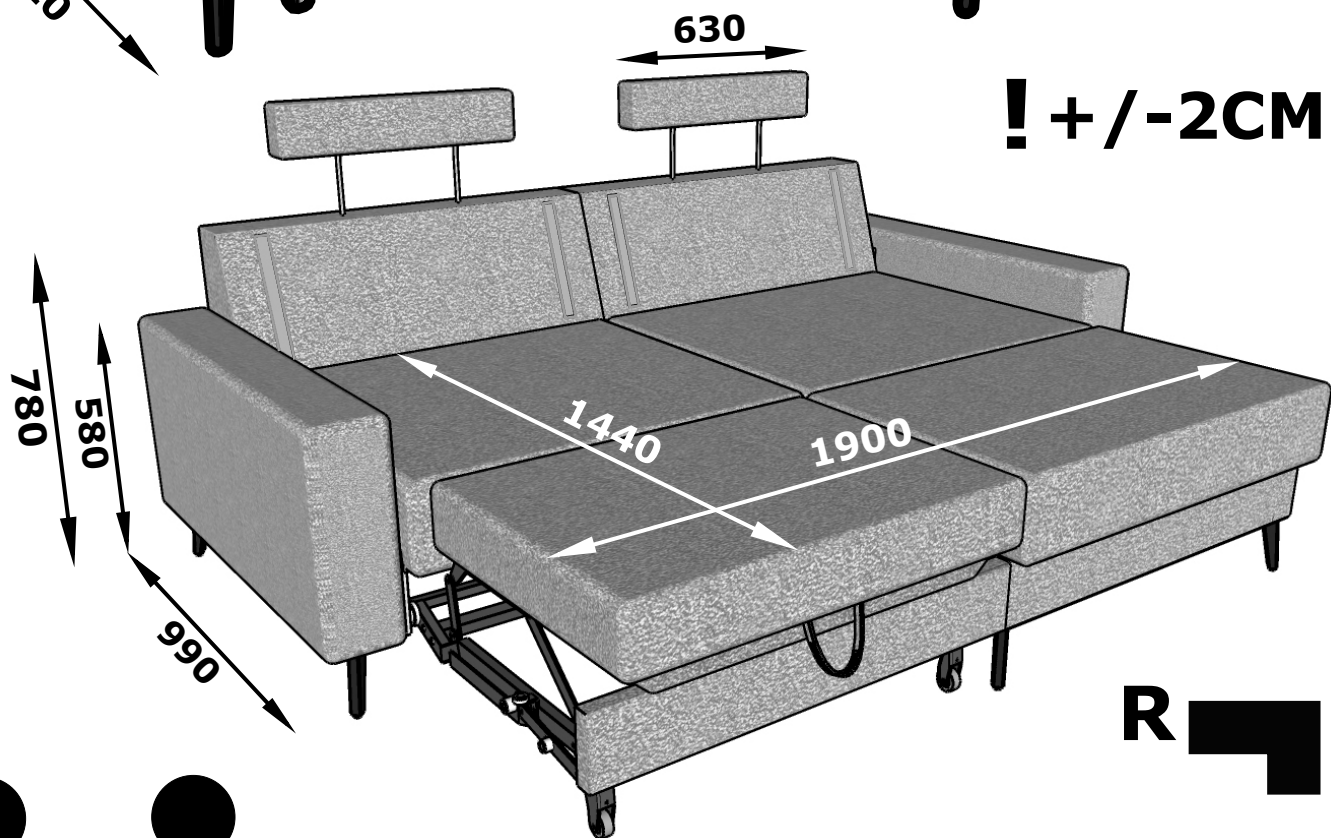
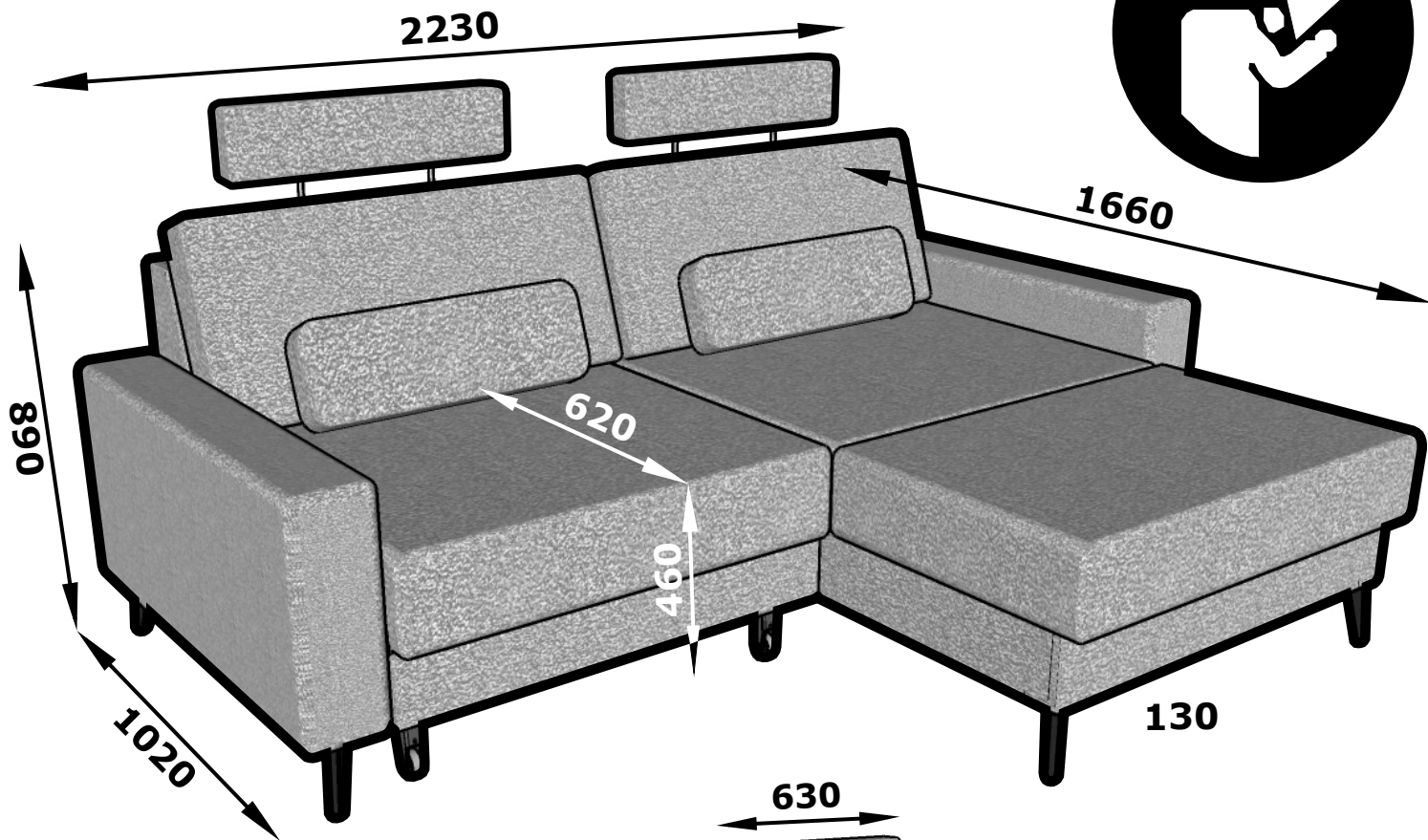
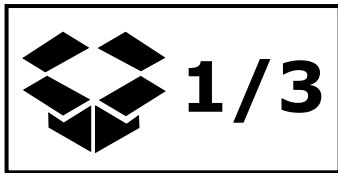


TIVAT

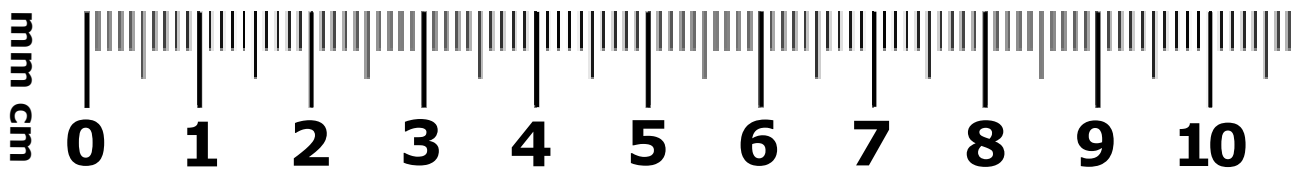
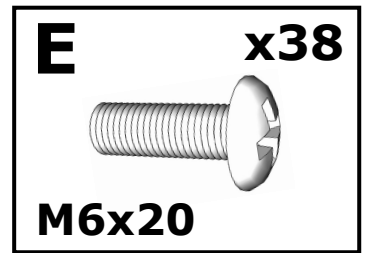
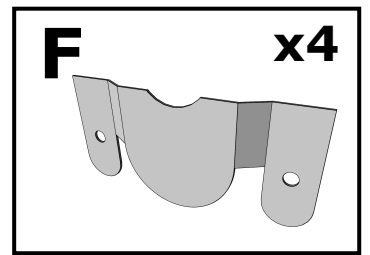
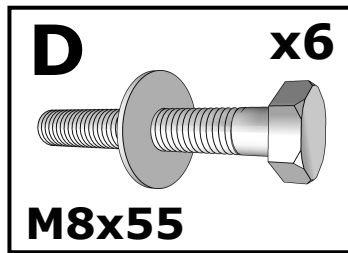
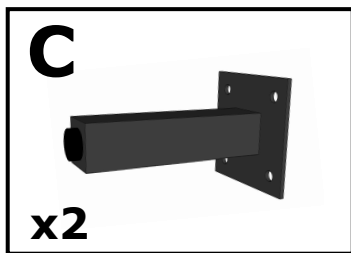
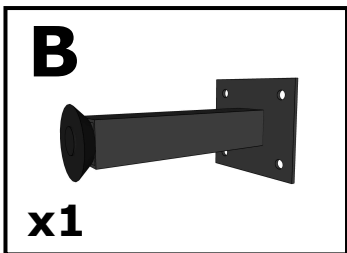
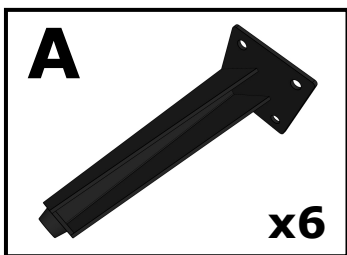
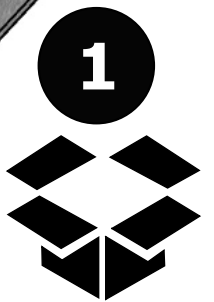
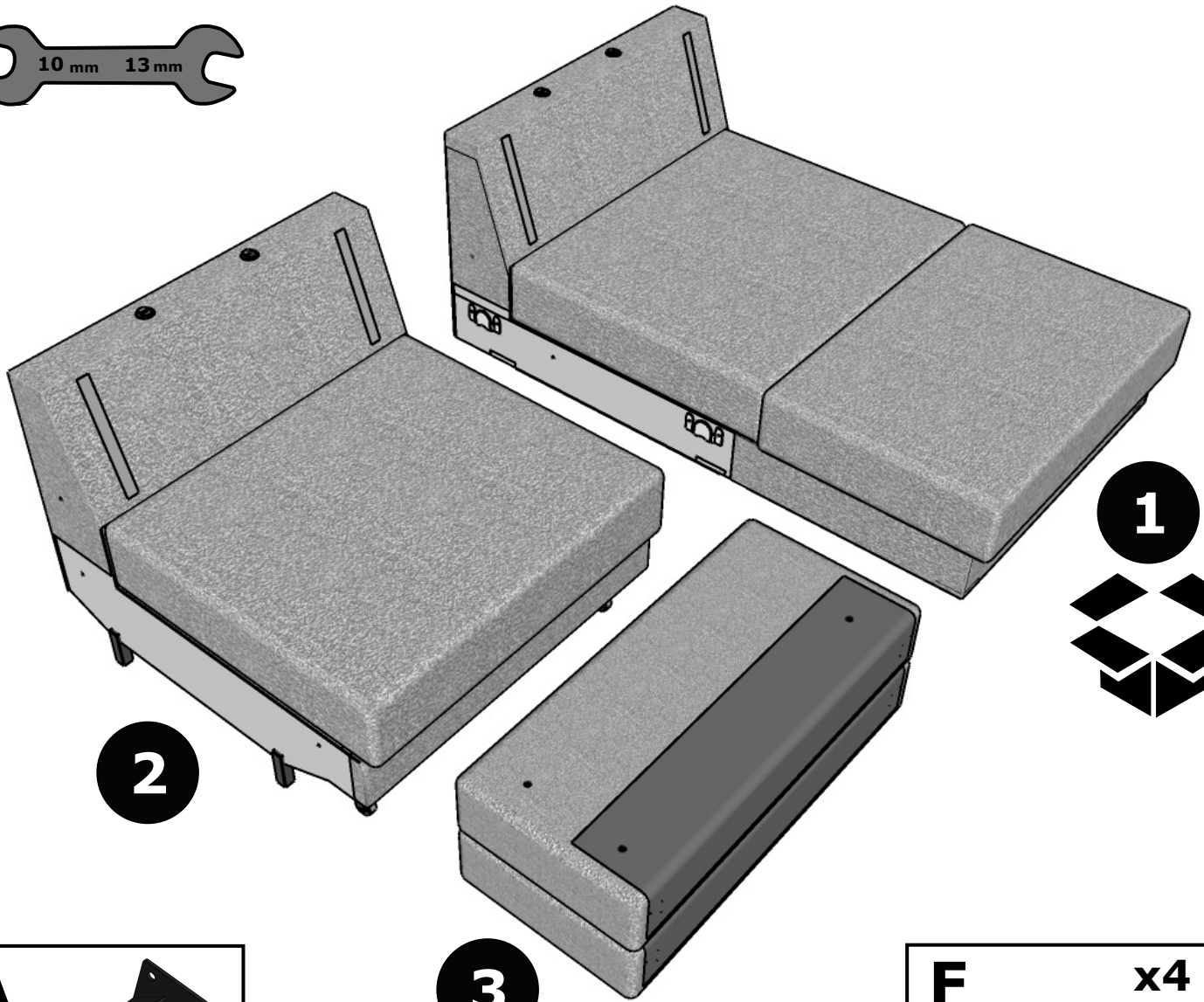


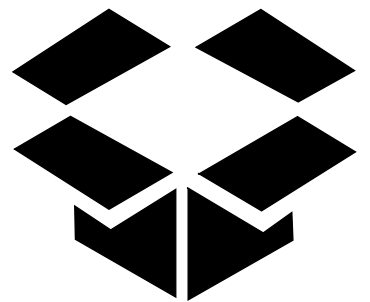
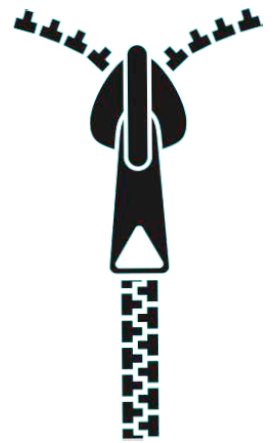
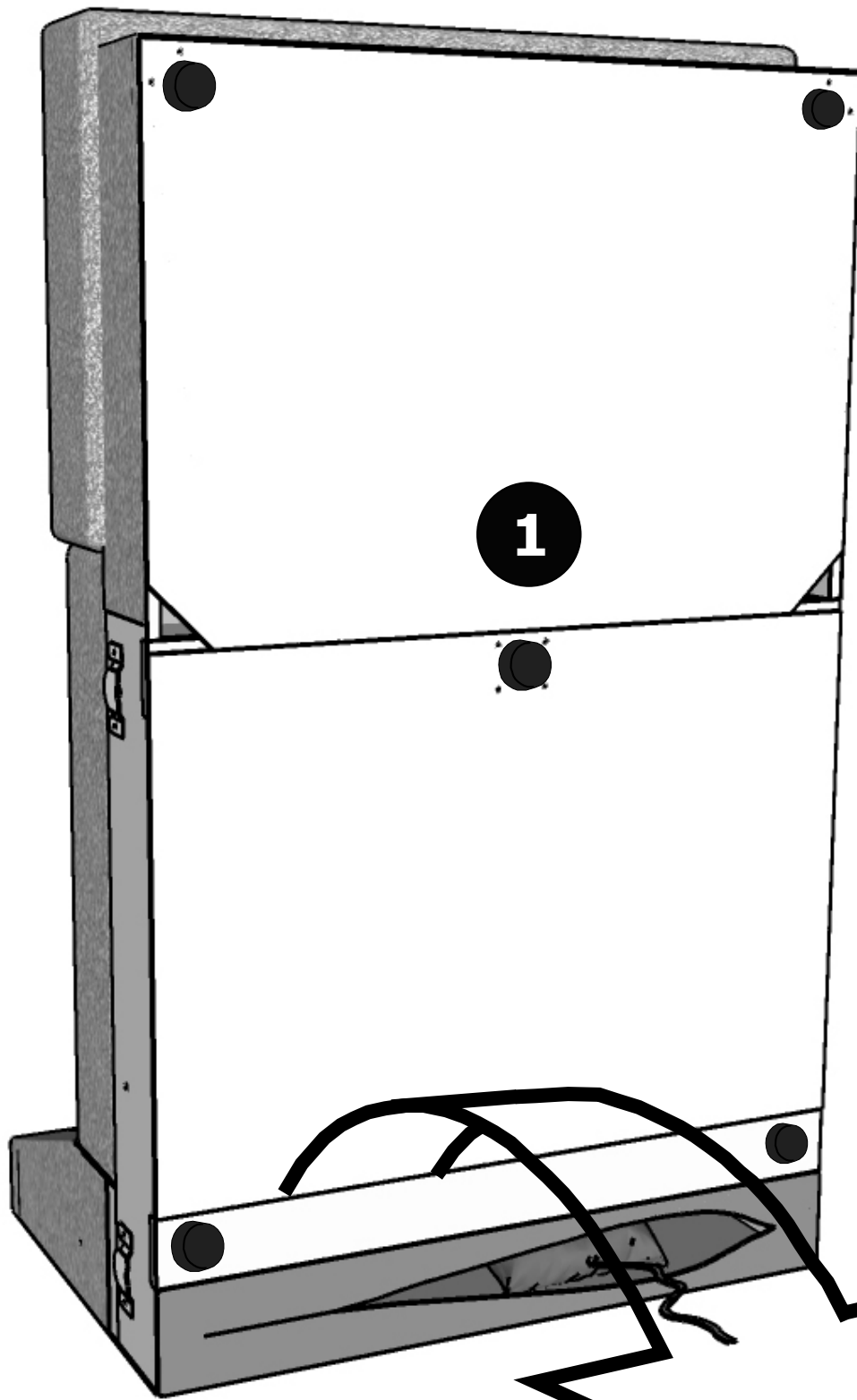
R



- 1
- 2
- 3

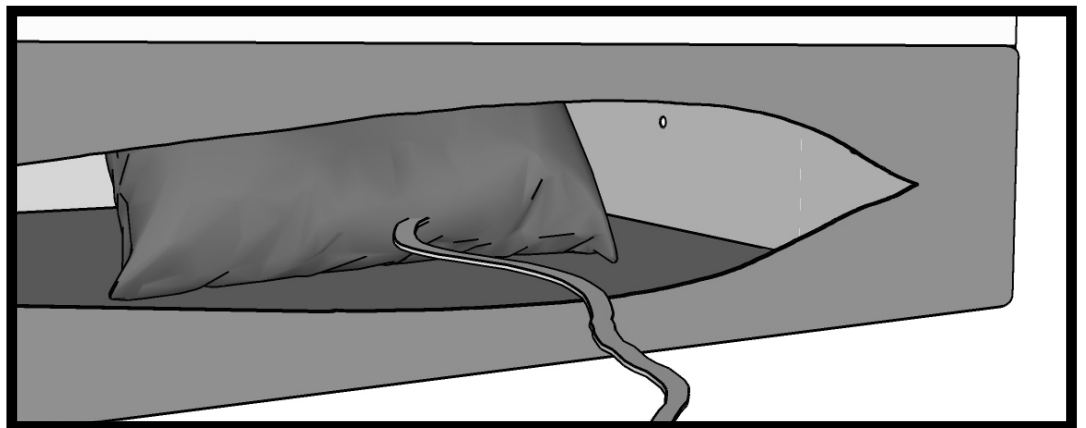
L	B	H	PCS	
1830	950	860	x1	1/3
1020	950	860	x1	2/3
1000	460	340	x1	3/3



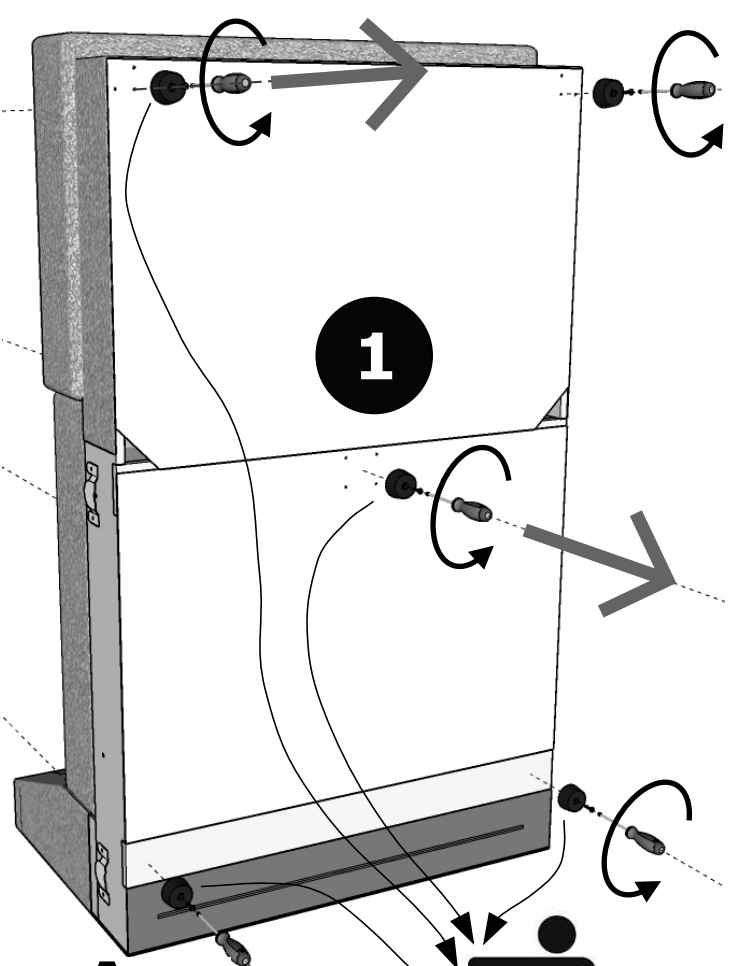
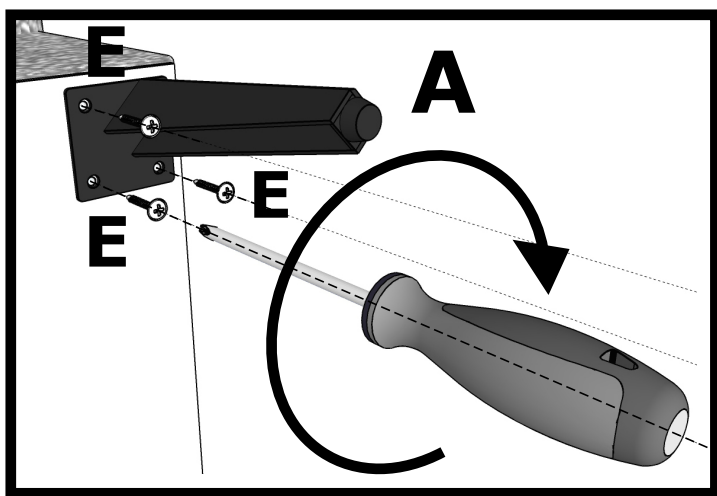


1

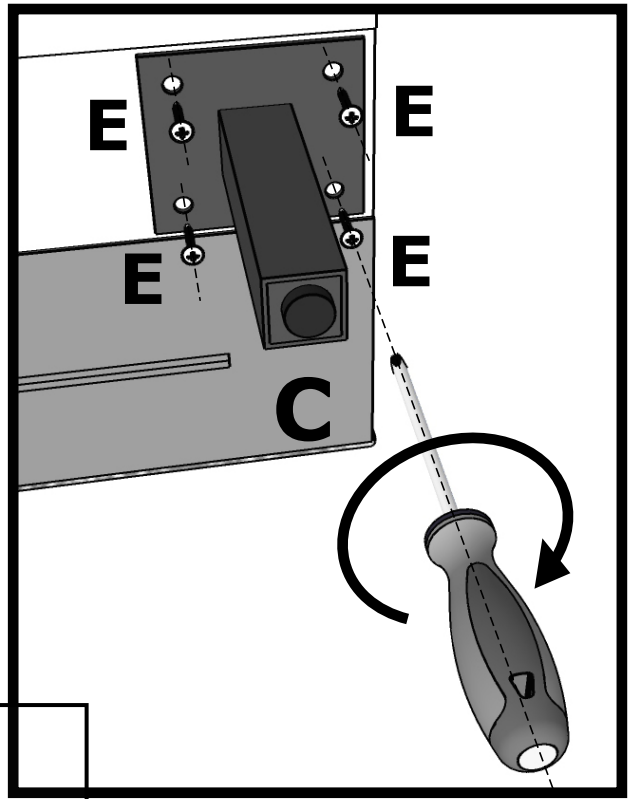
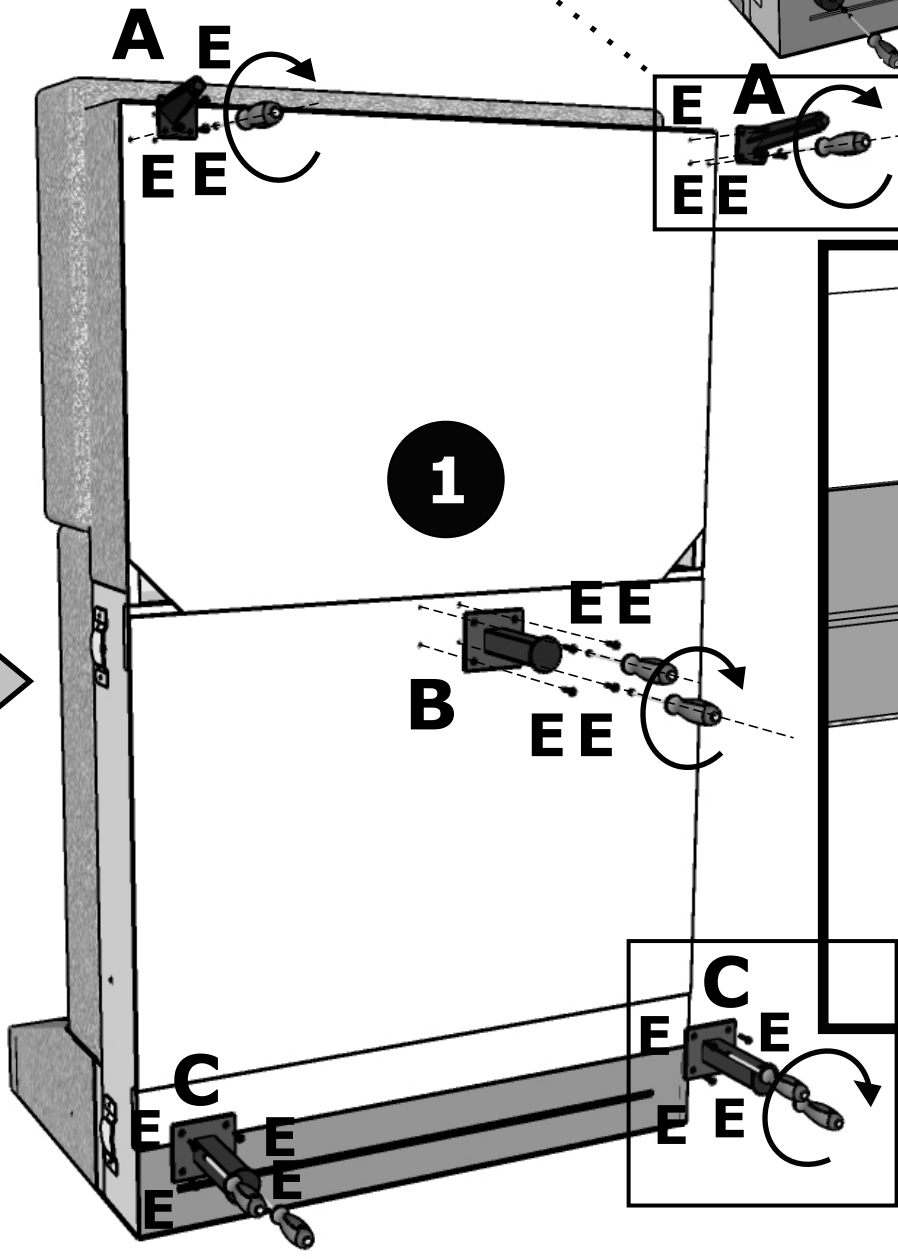
ZIPPER

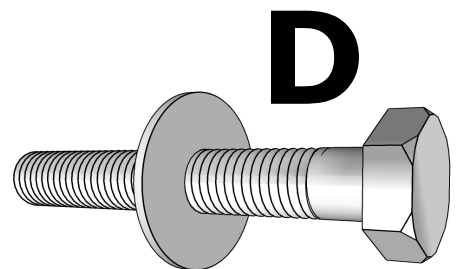
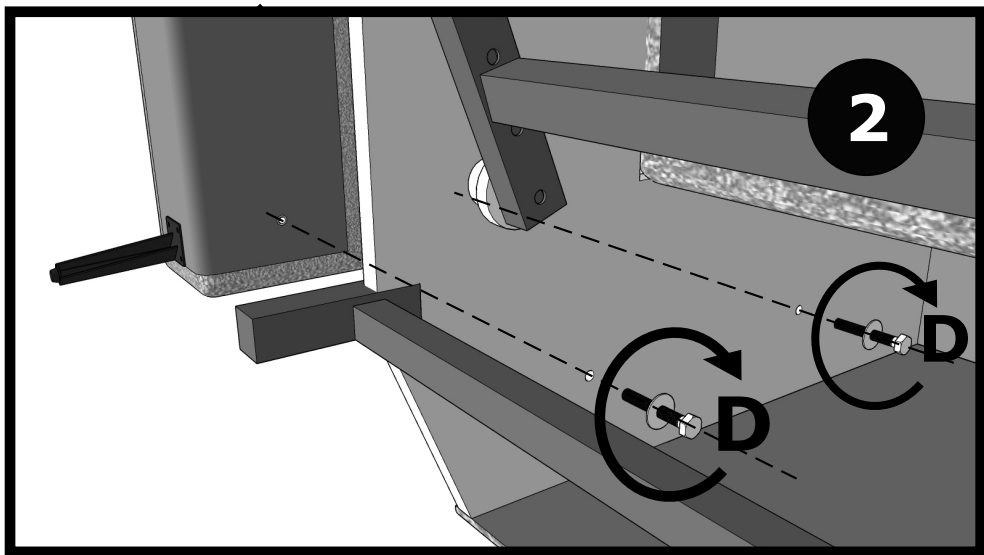
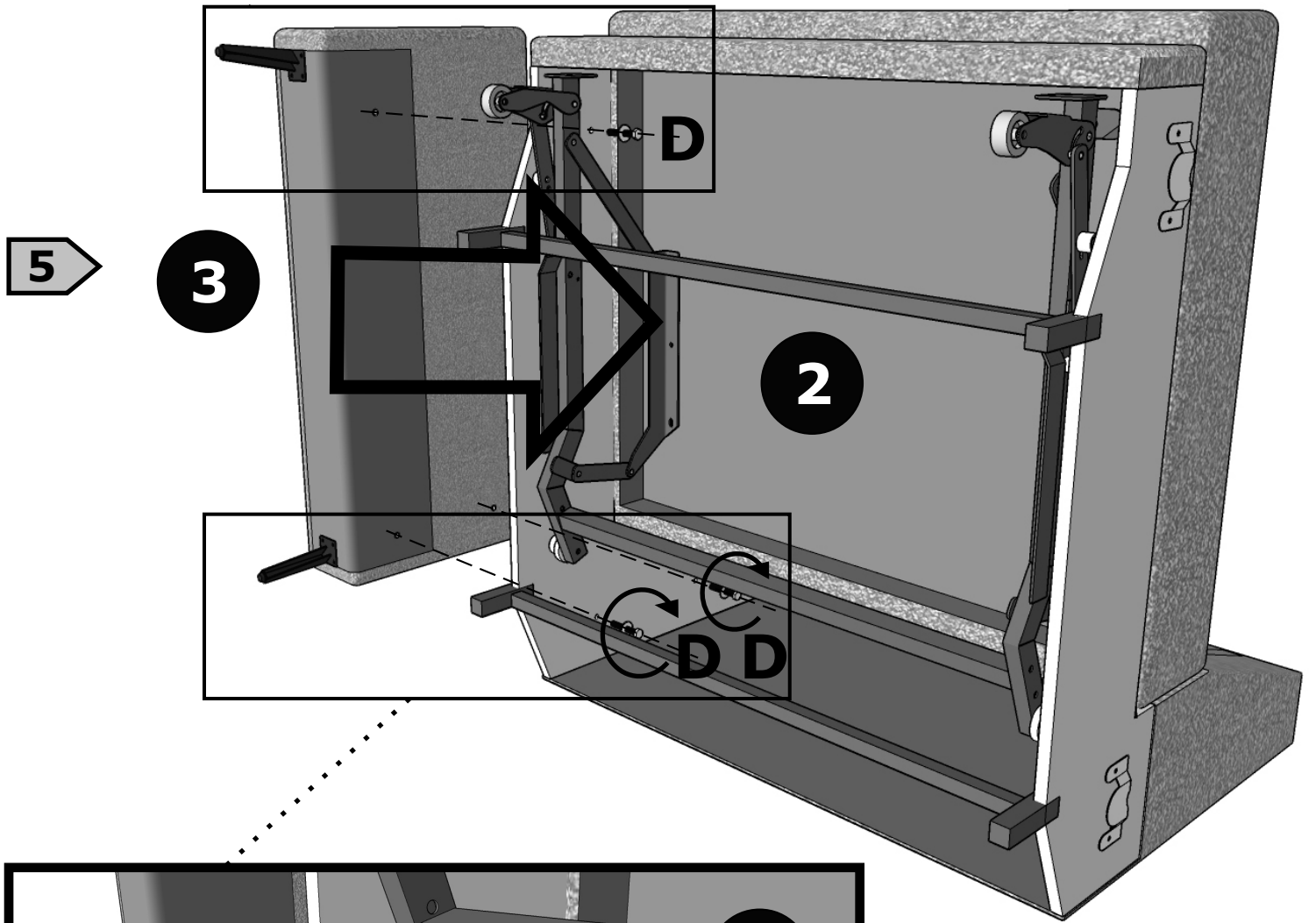
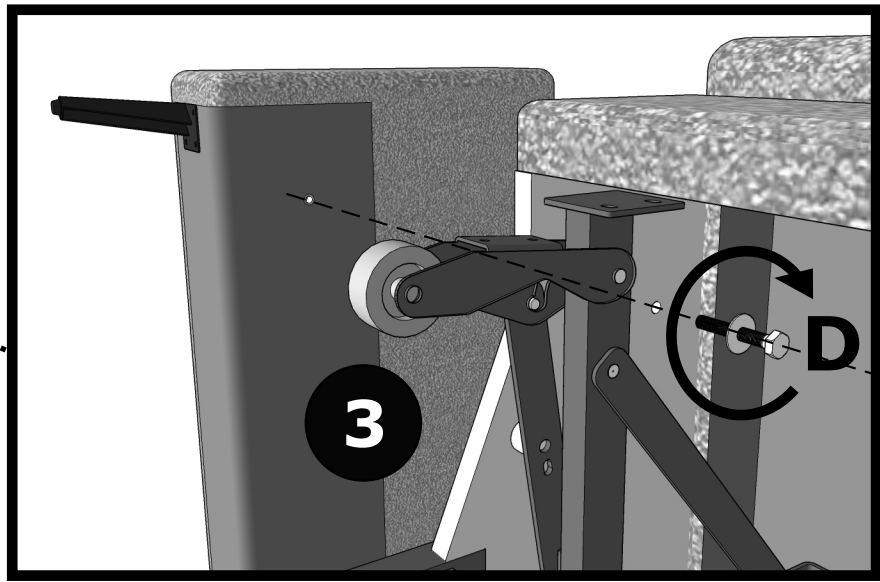


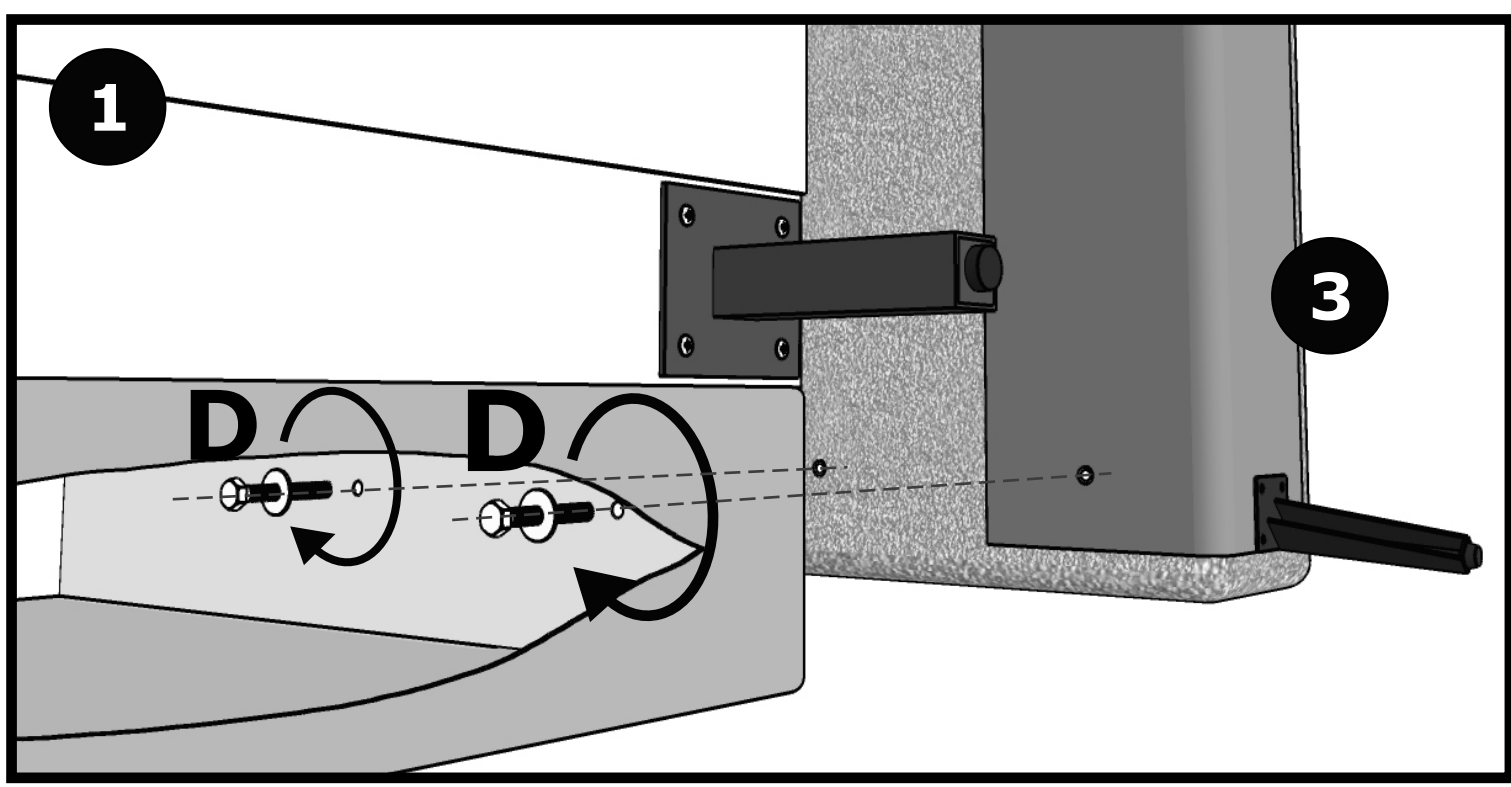
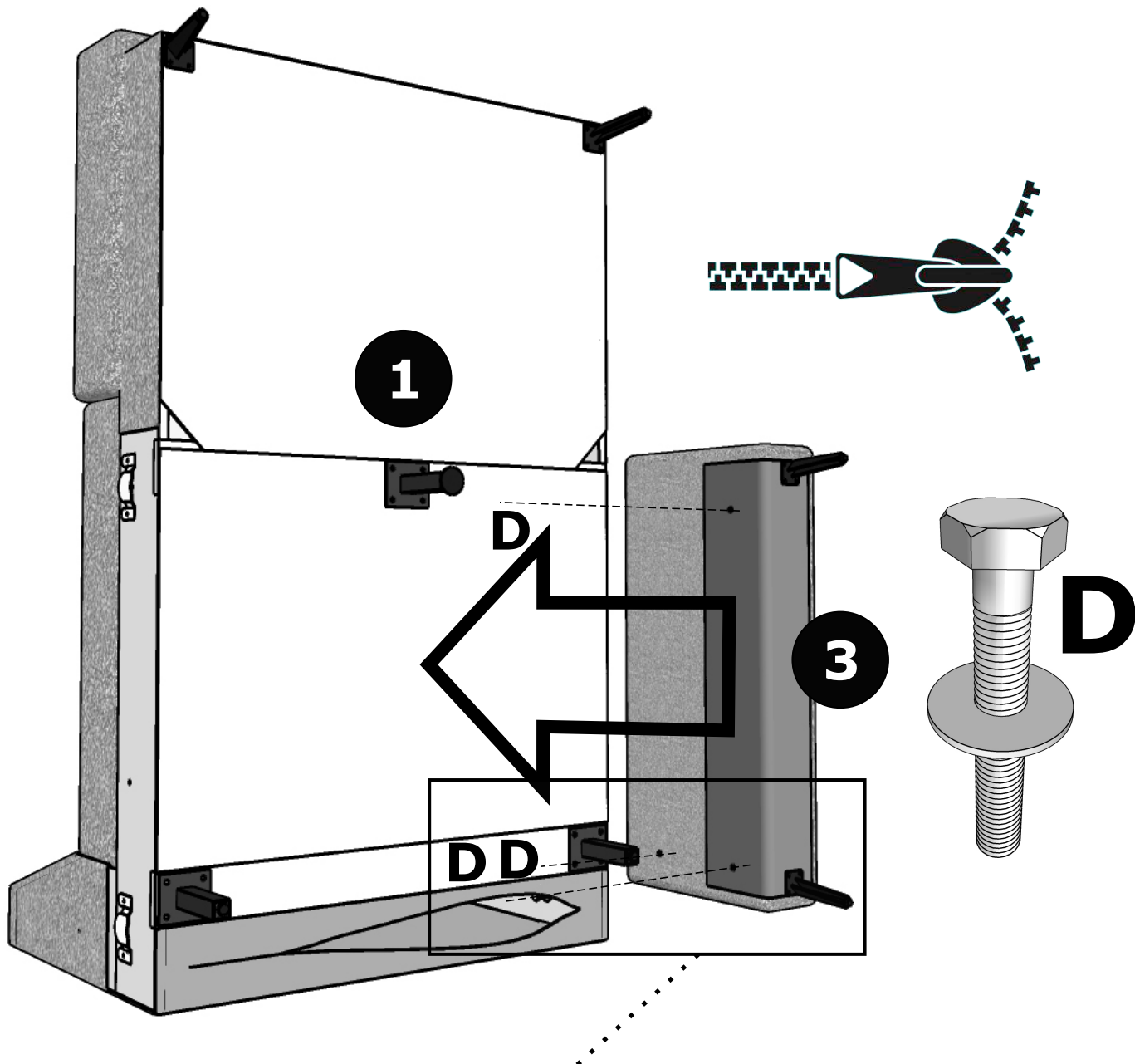
2



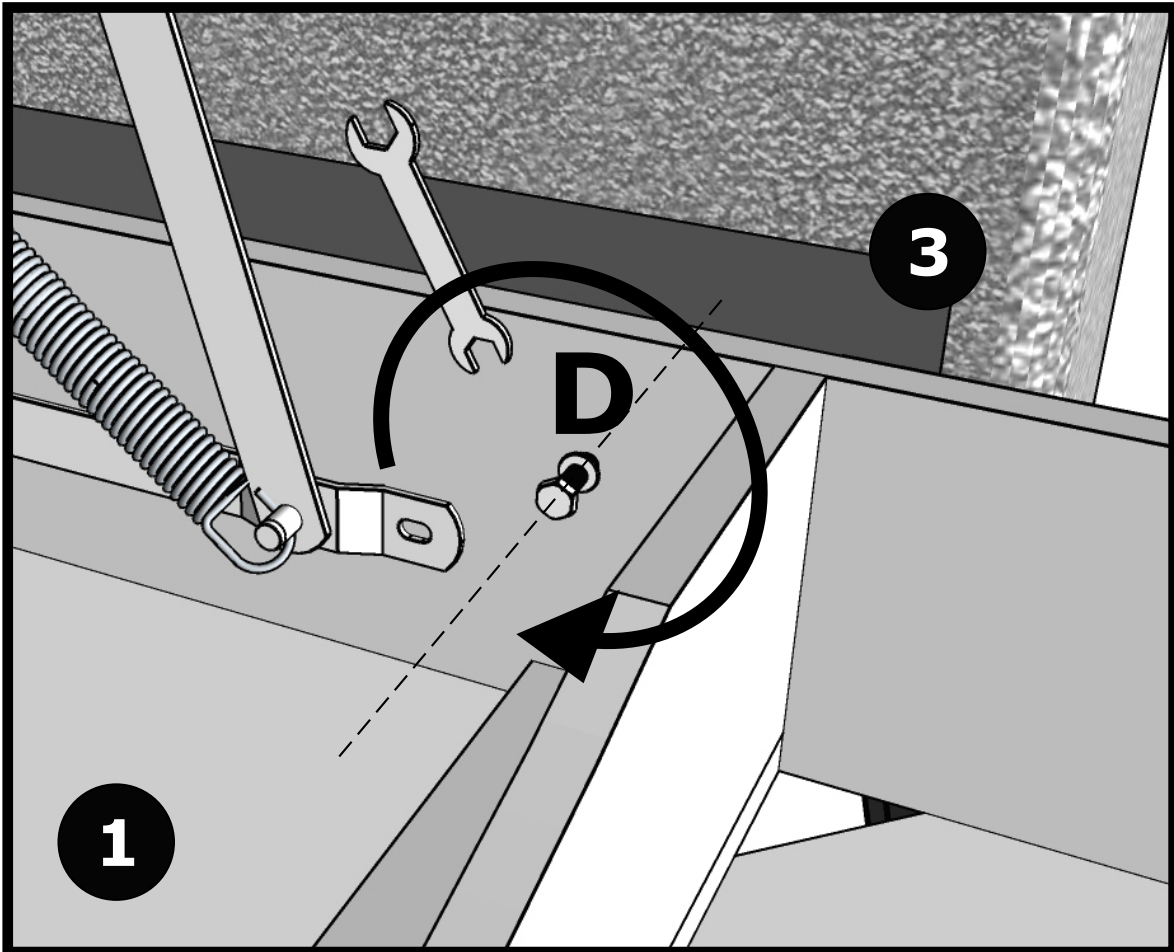
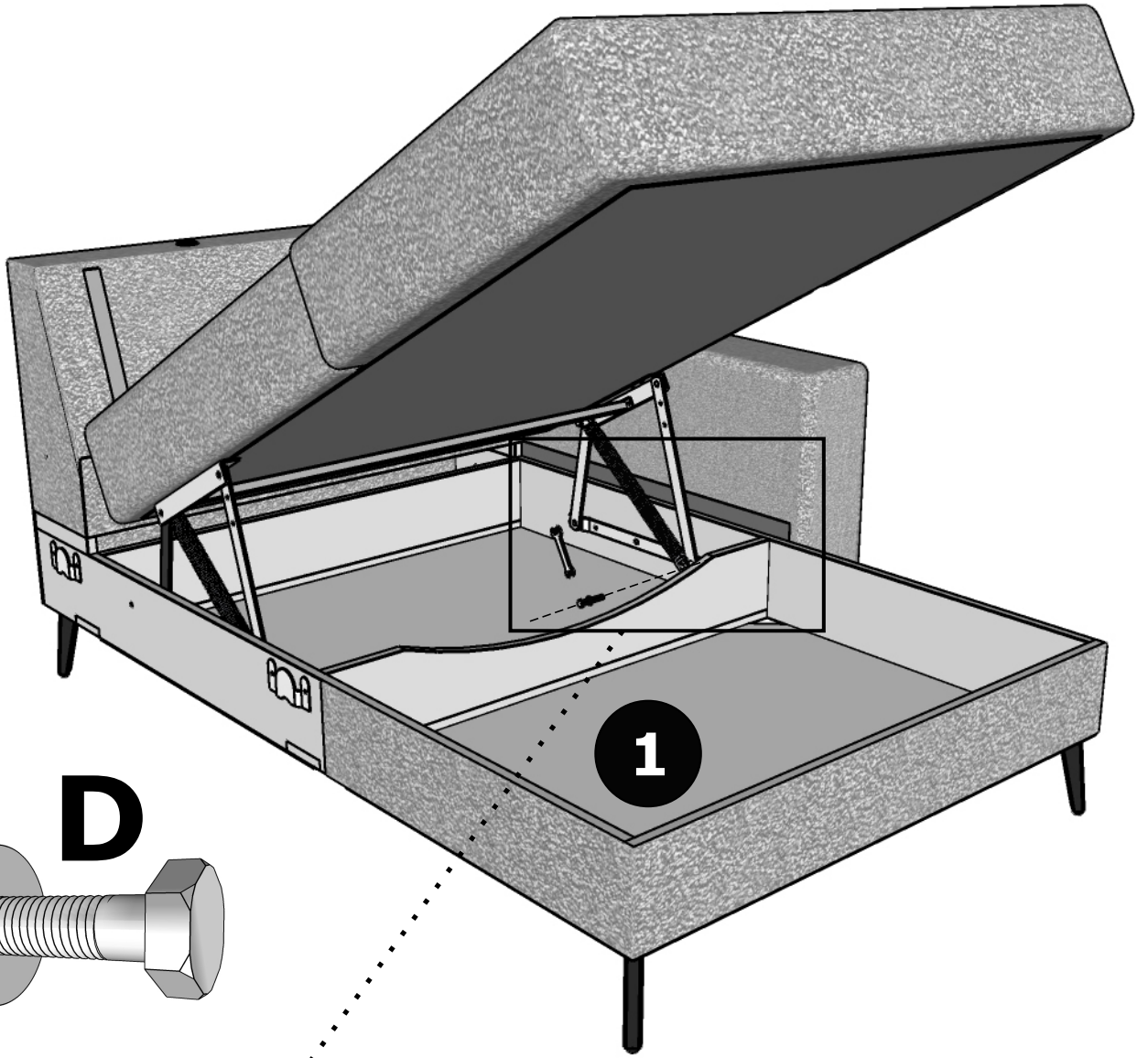
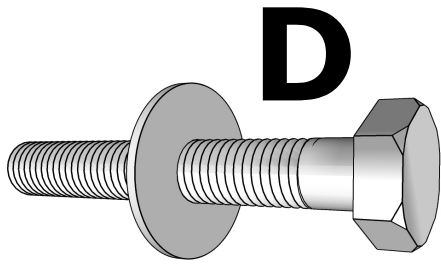
3

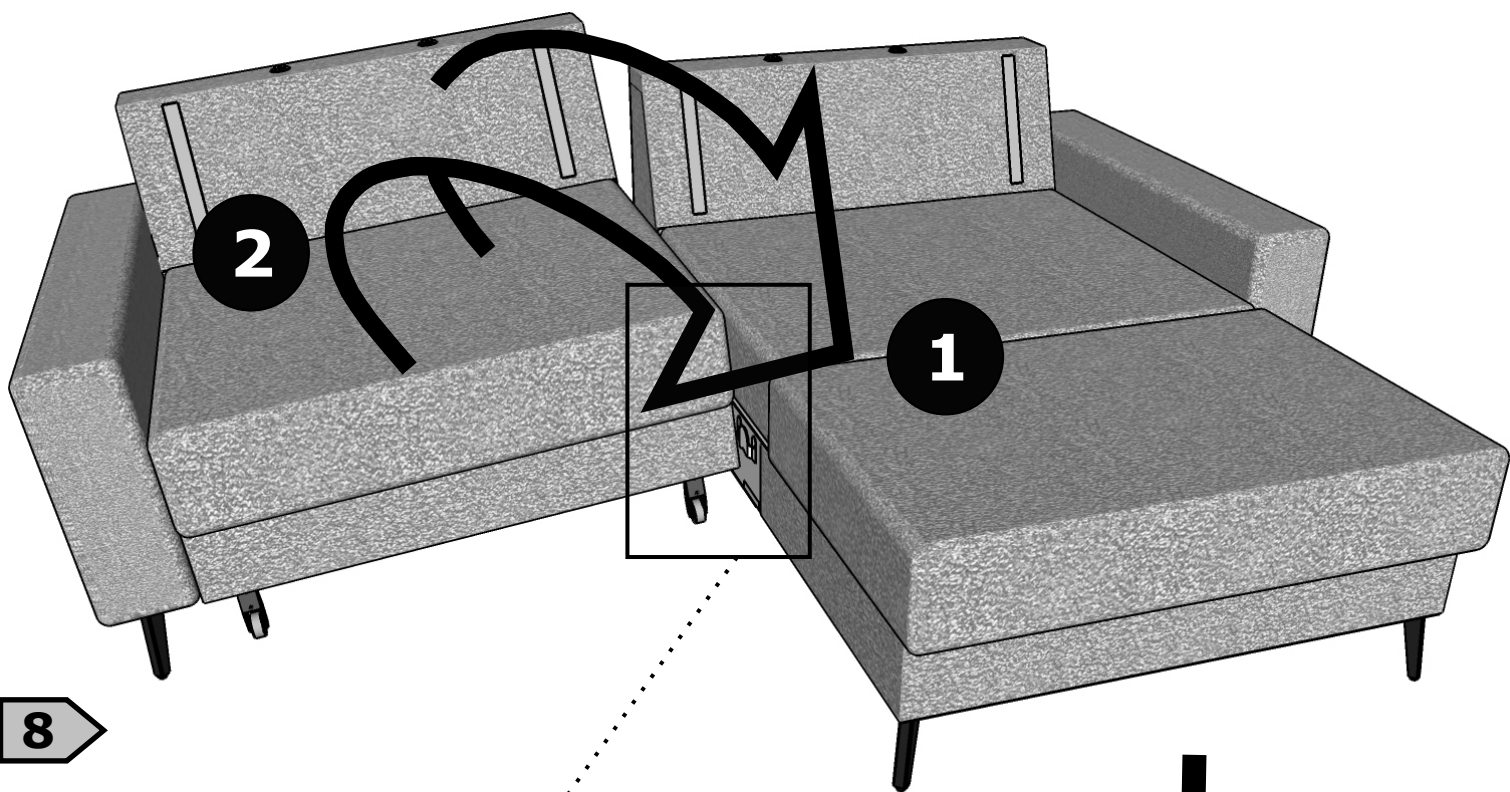




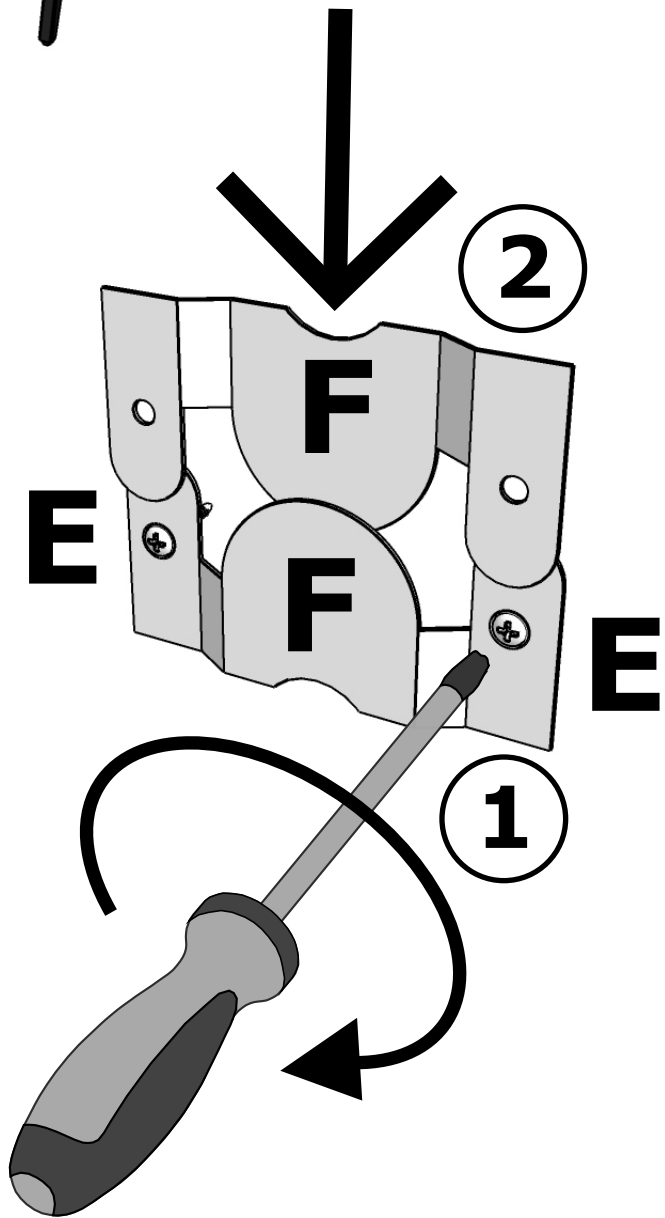
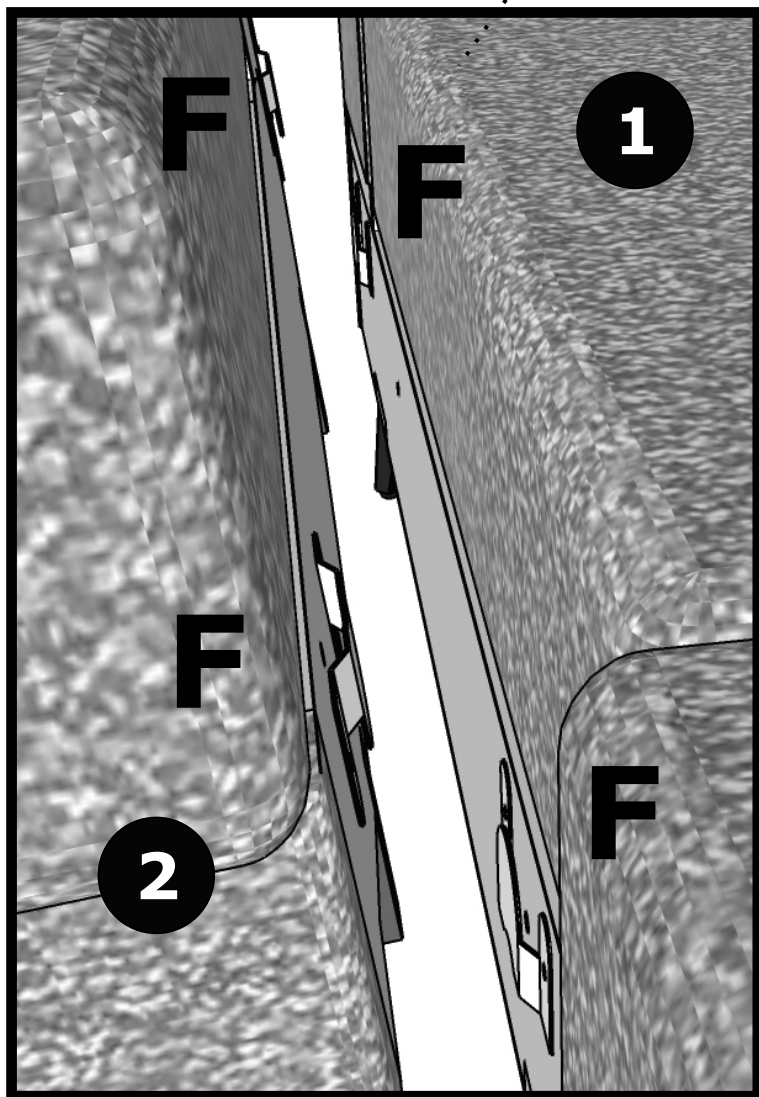


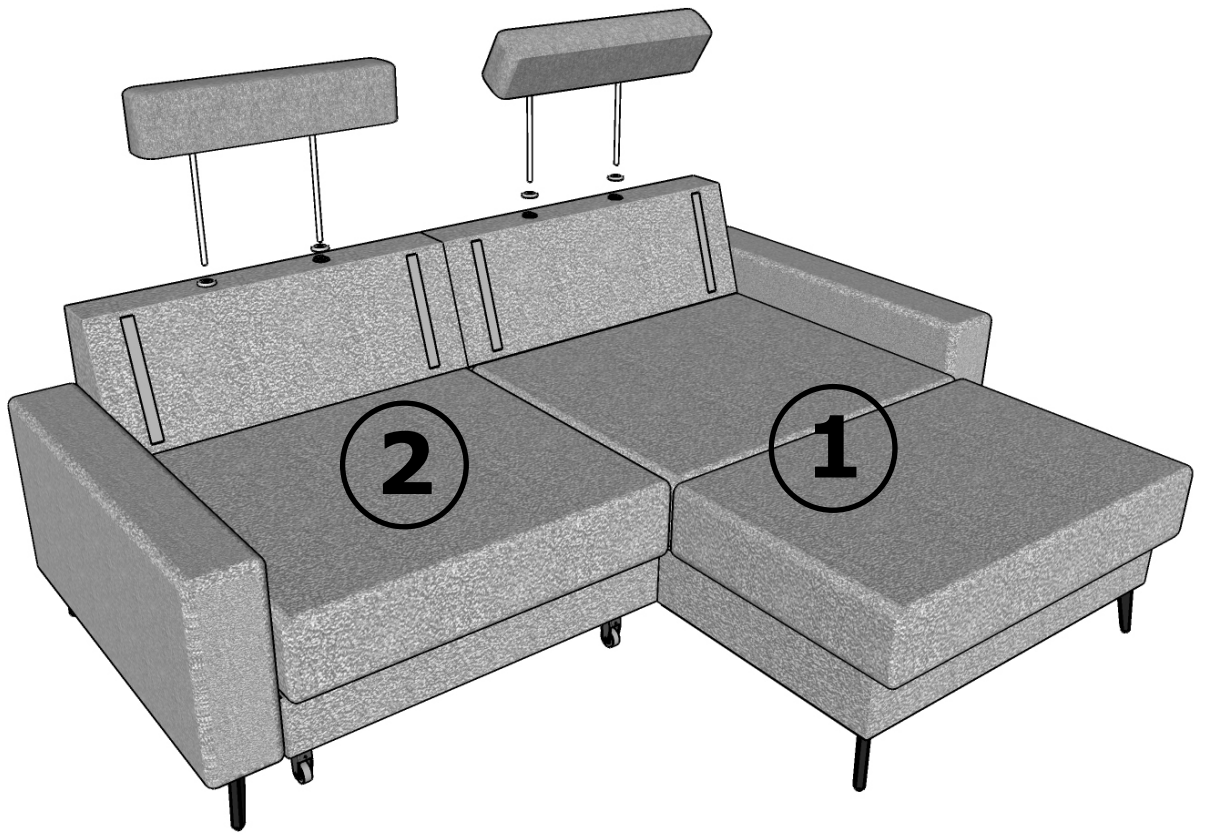
7



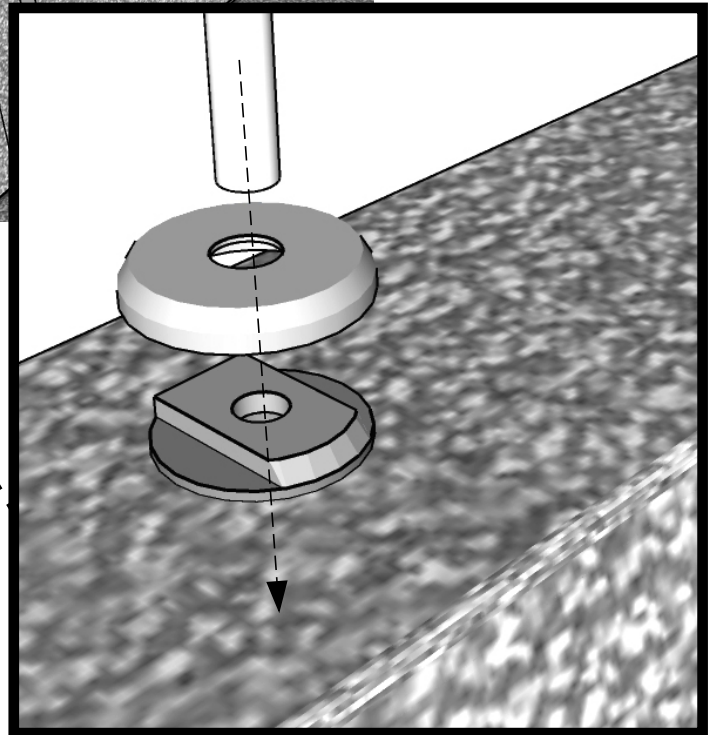
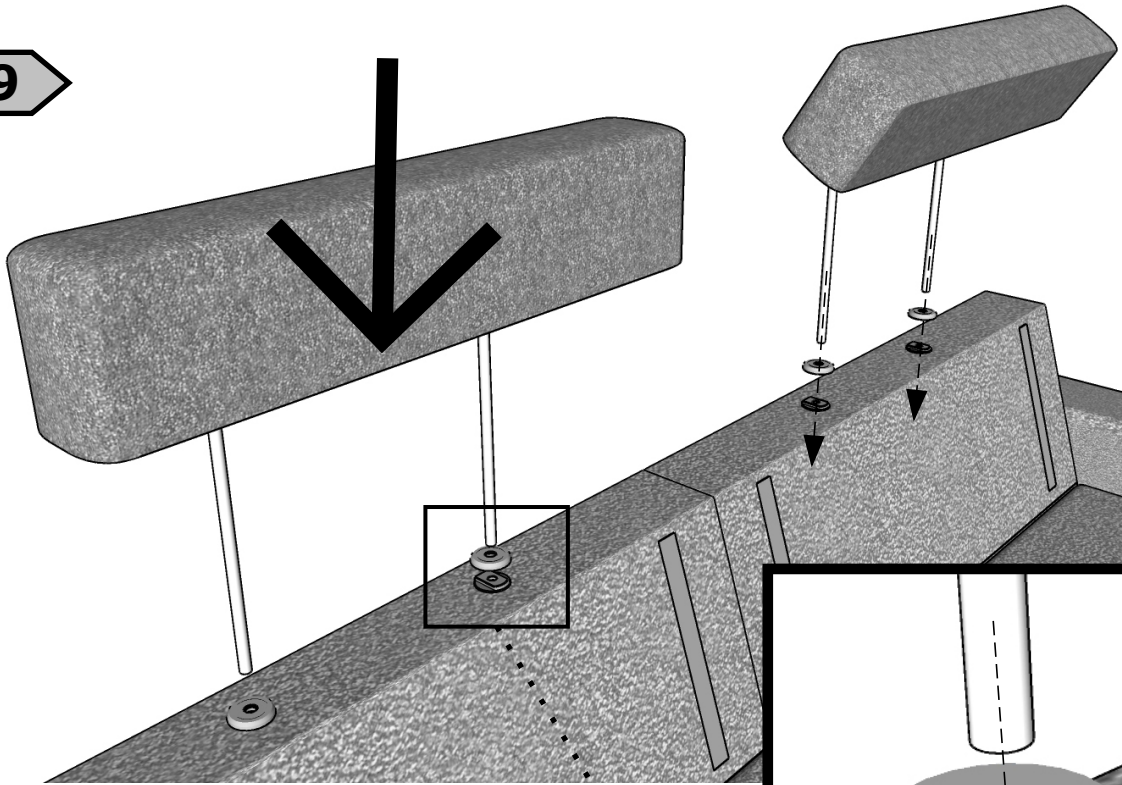


8

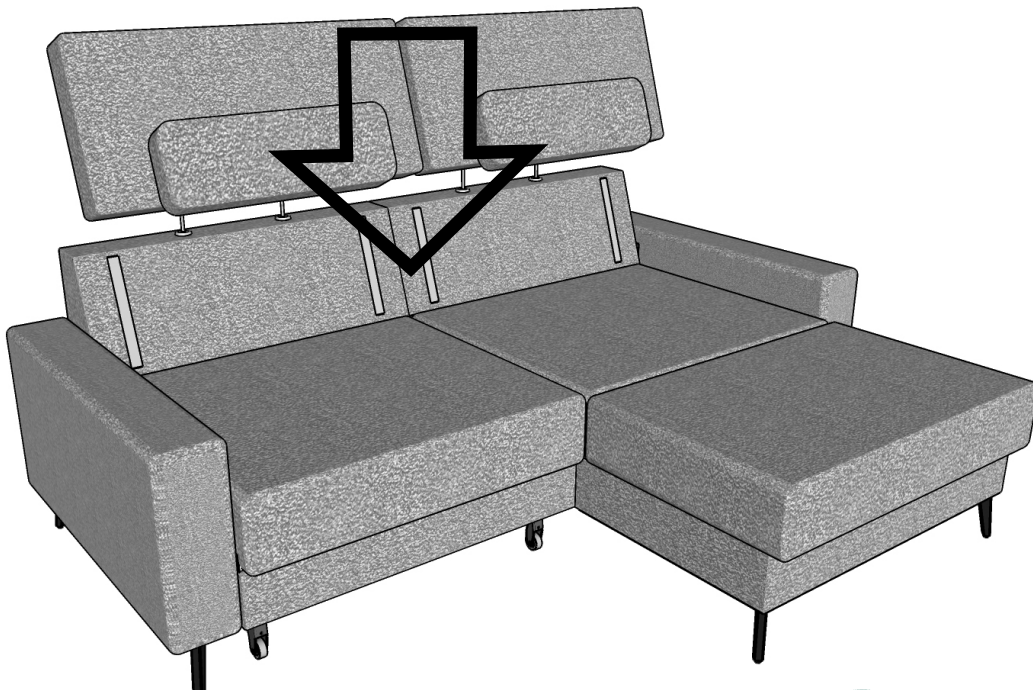




9



10



11

