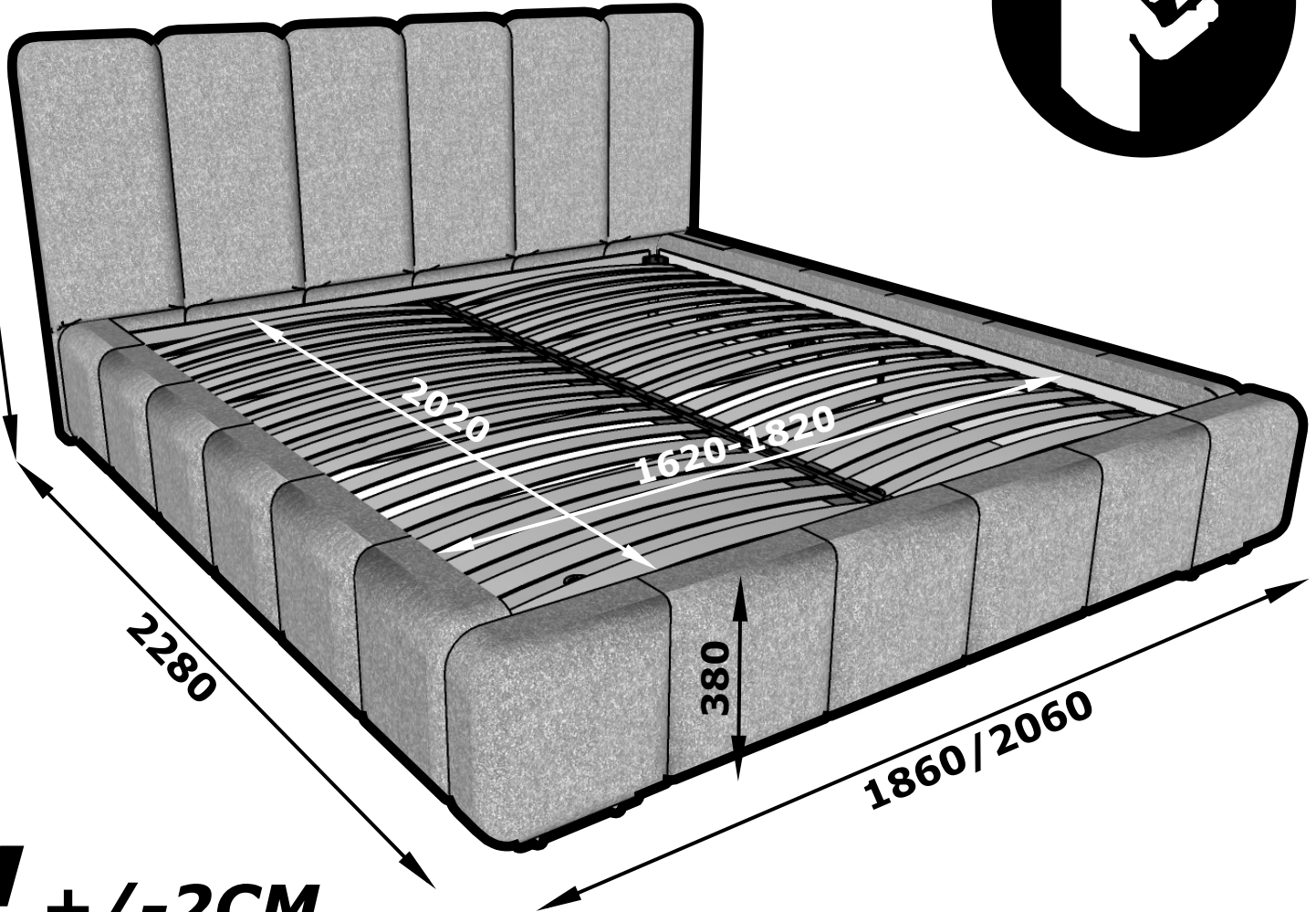


SIYENA

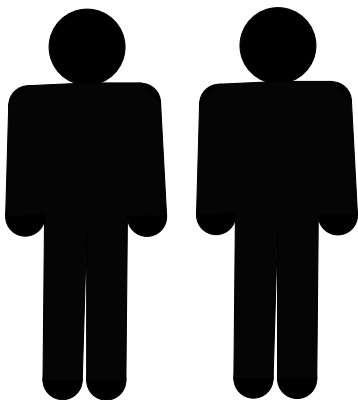
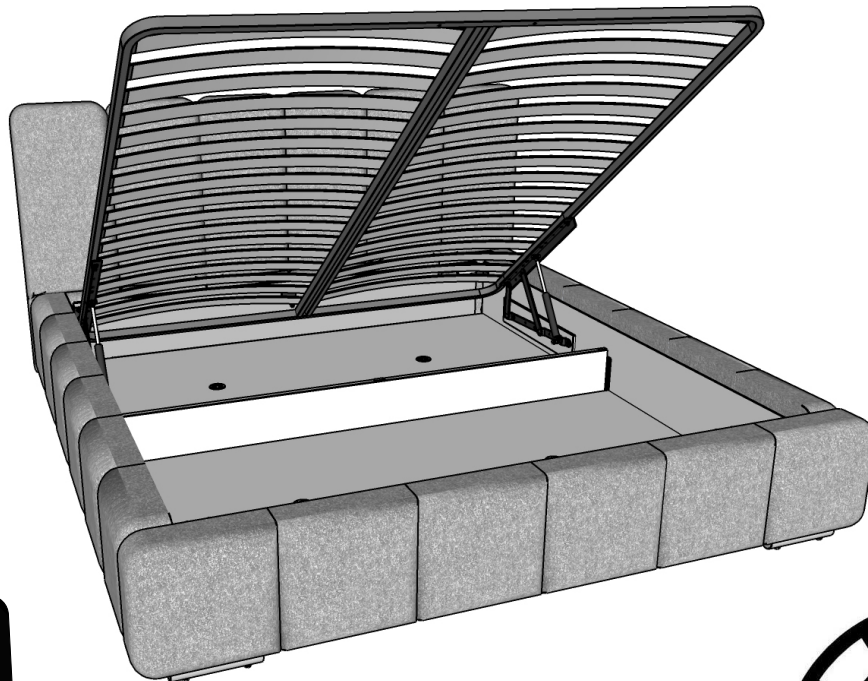
1820/2020




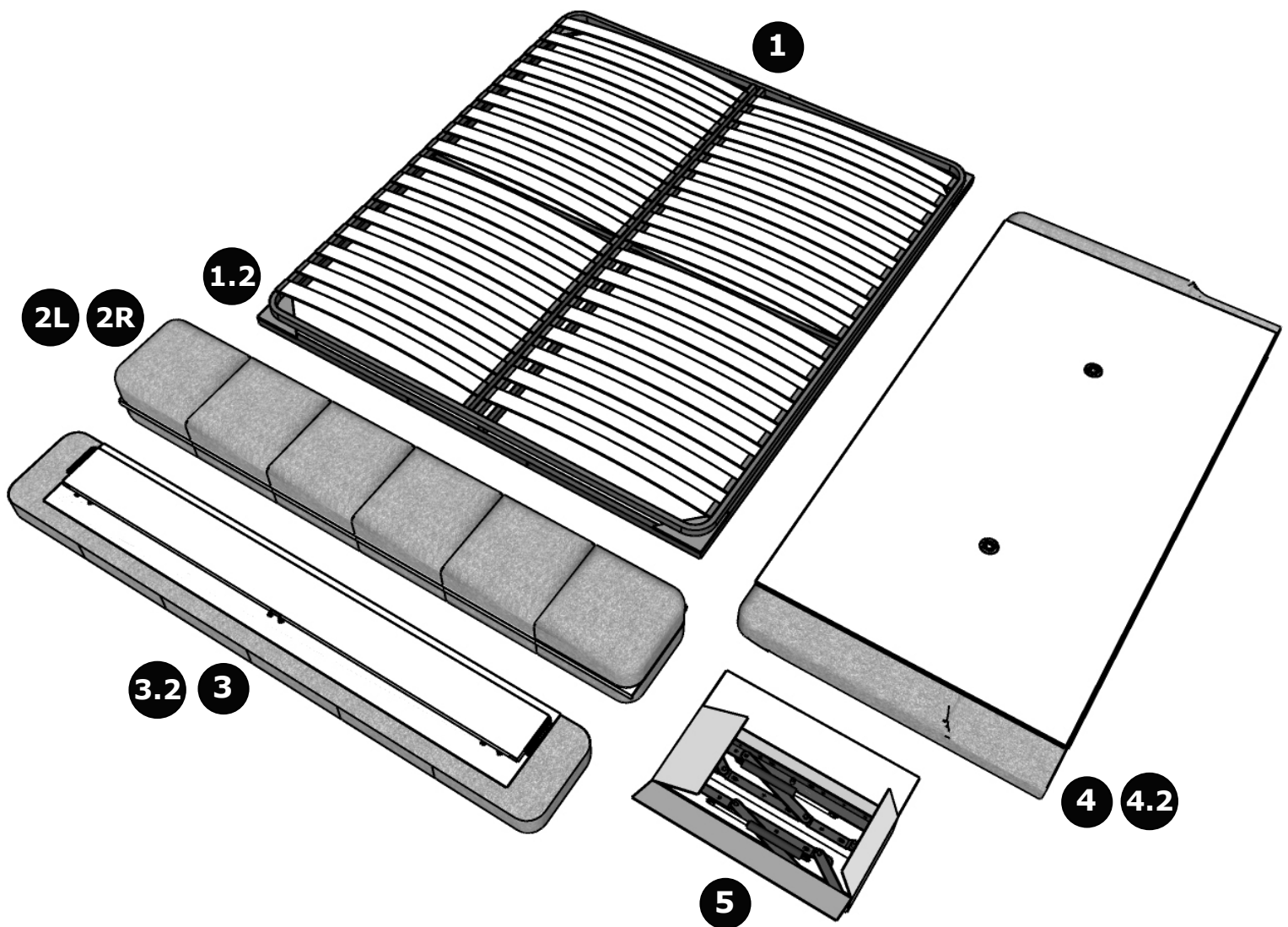
1100



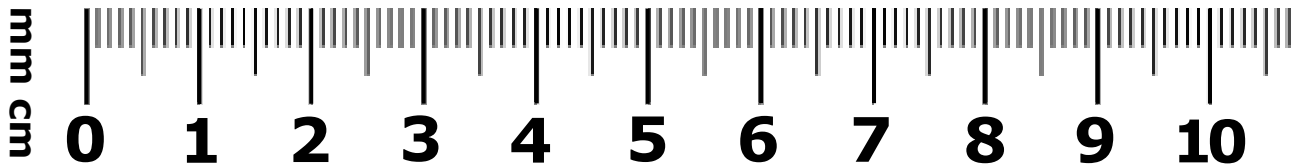
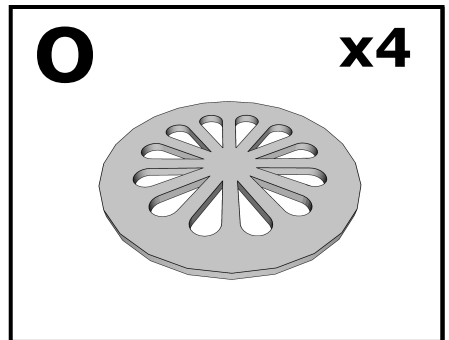
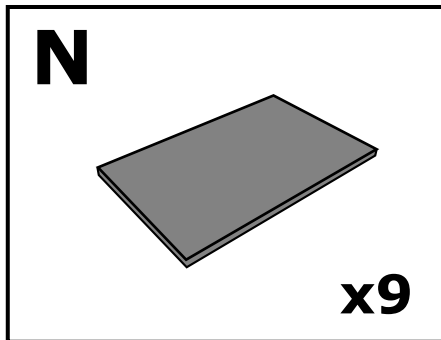
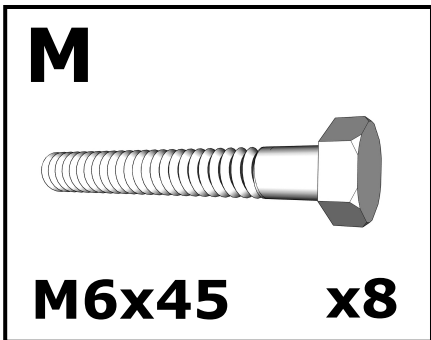
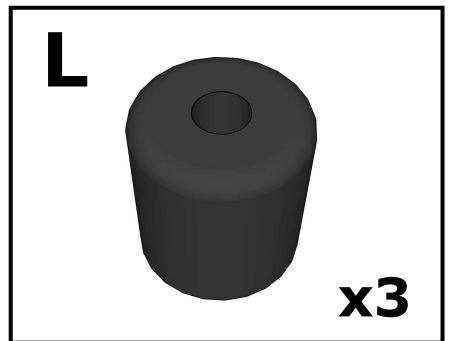
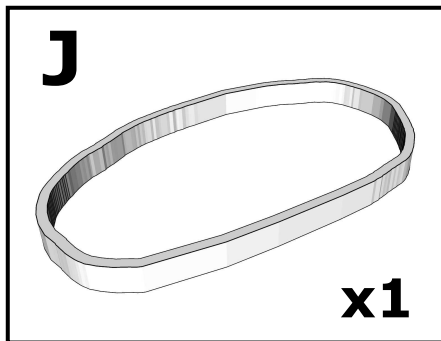
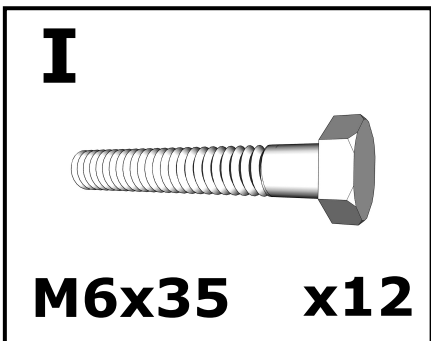
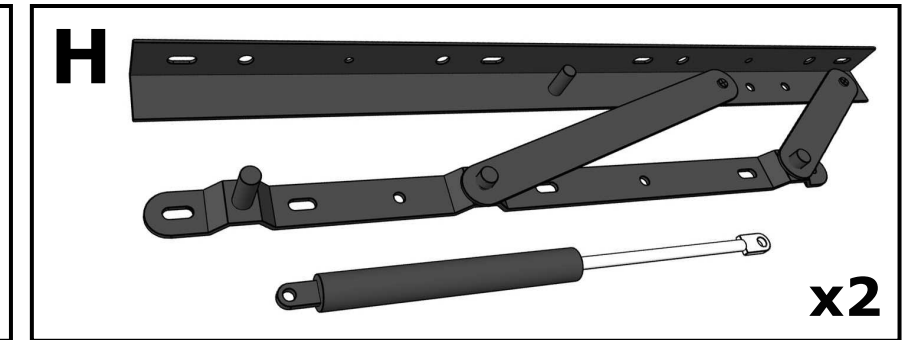
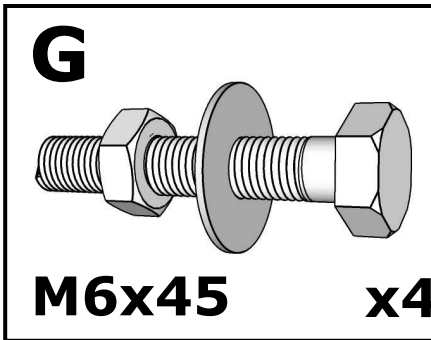
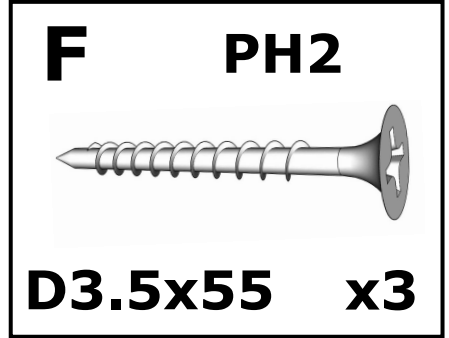
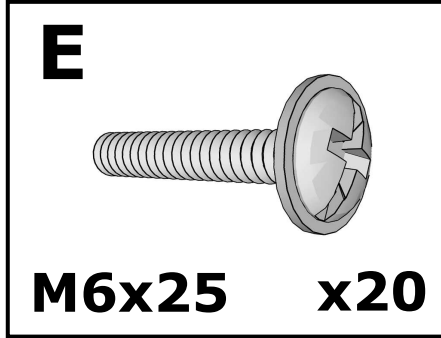
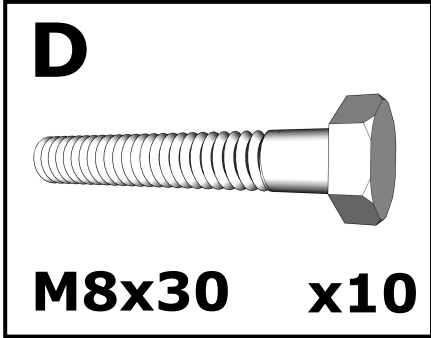
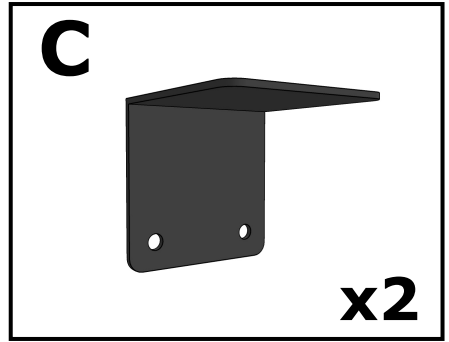
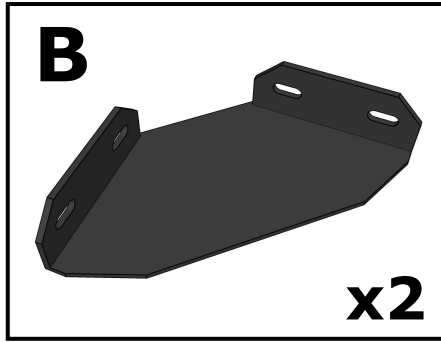
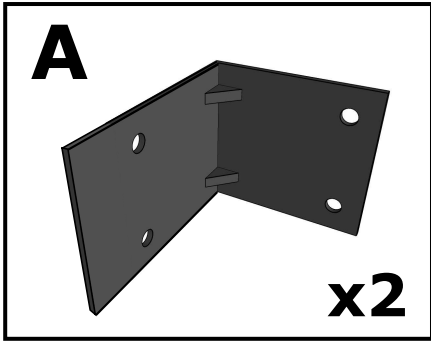
! +/-2CM

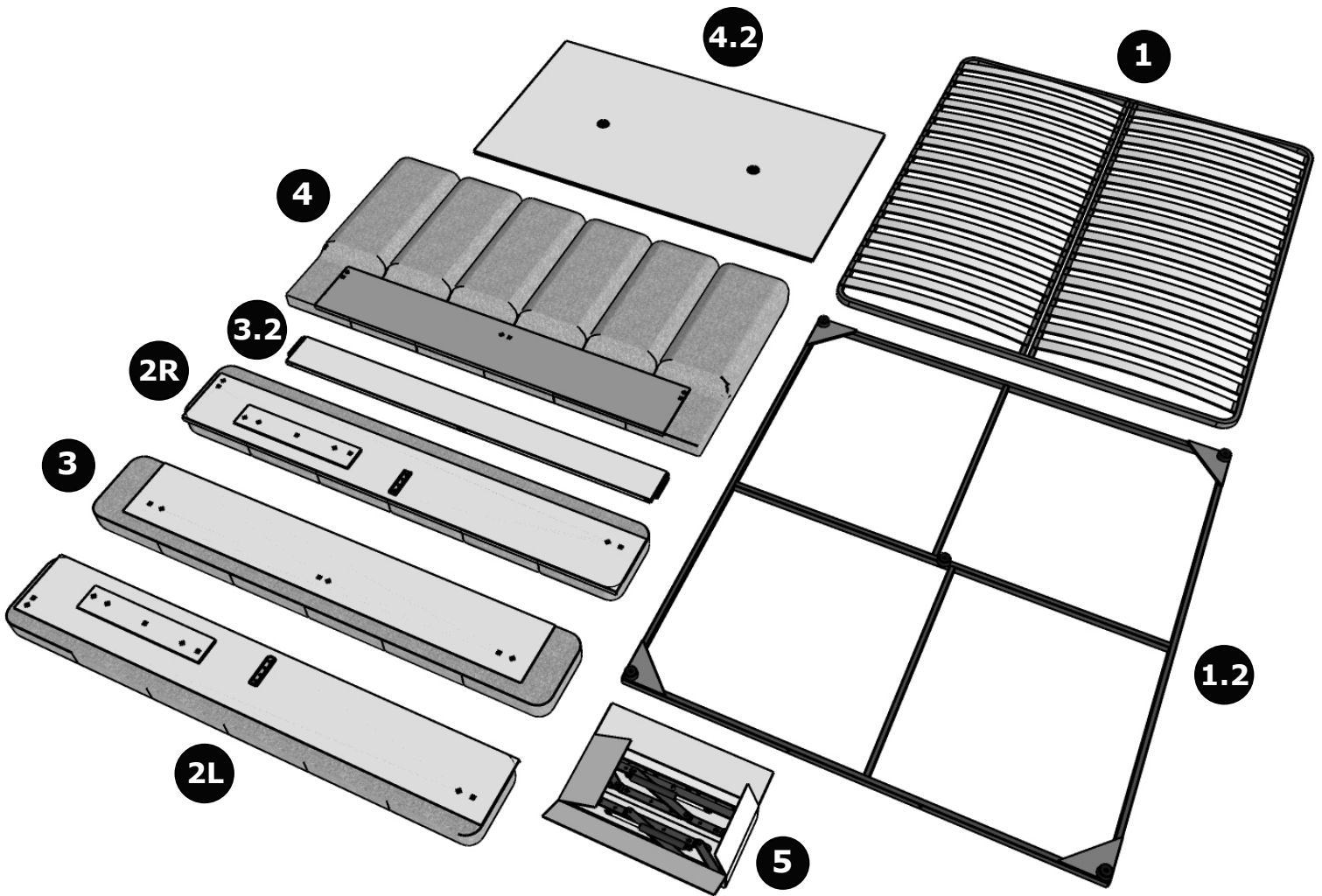
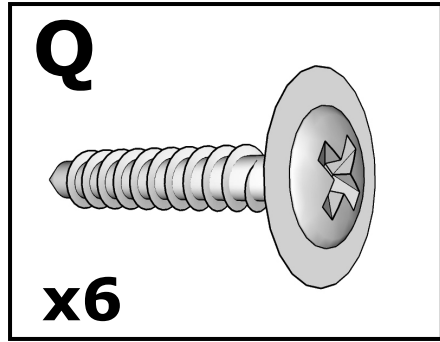
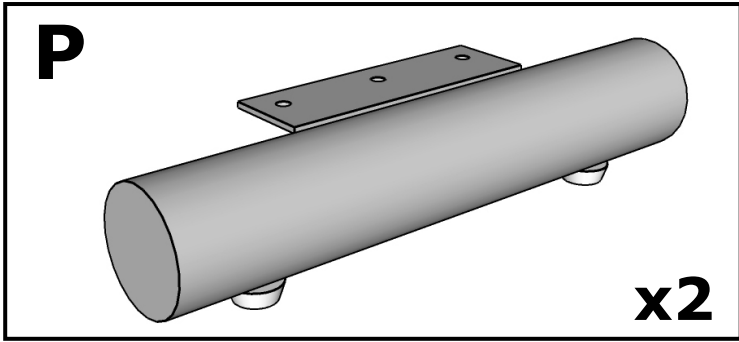


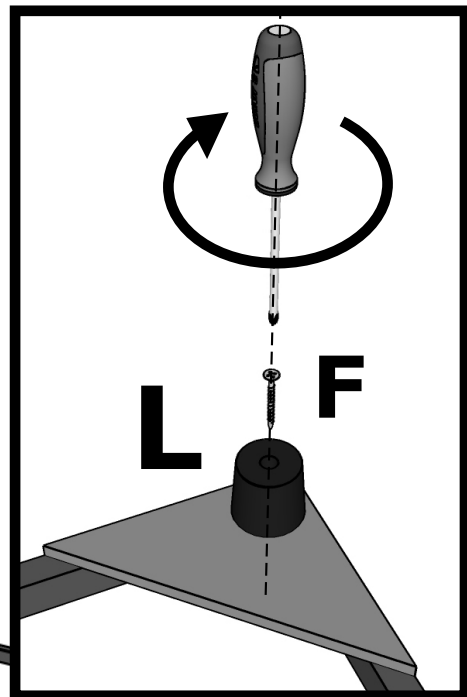
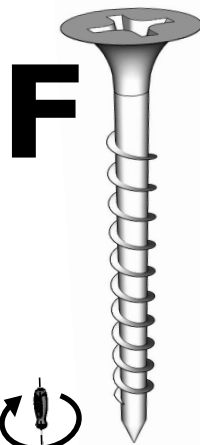
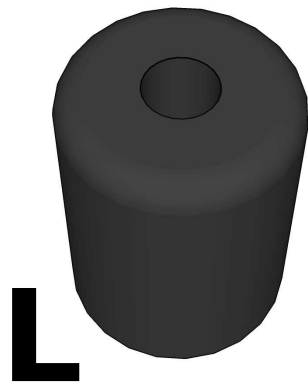
	L	B	H	PCS	
1	1620-1820	2020	100	x1	1/5
2	2060	330	260	x1	2/5
3	1860-2060	330	150	x1	3/5
4	1820-2020	1100	140	x1	4/5
5	640	240	120	x1	5/5



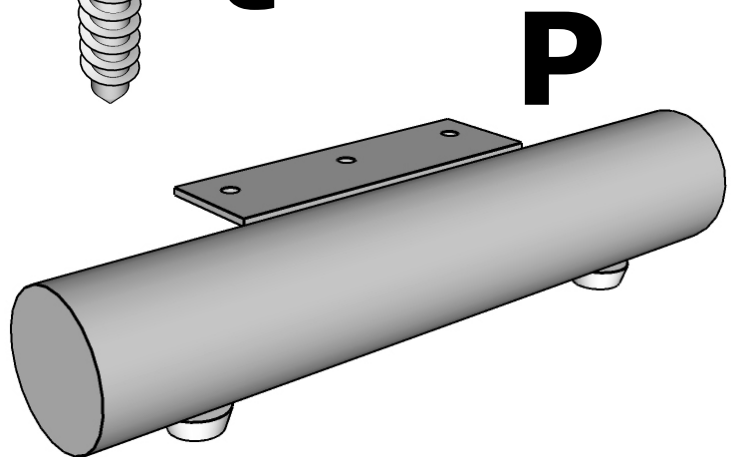
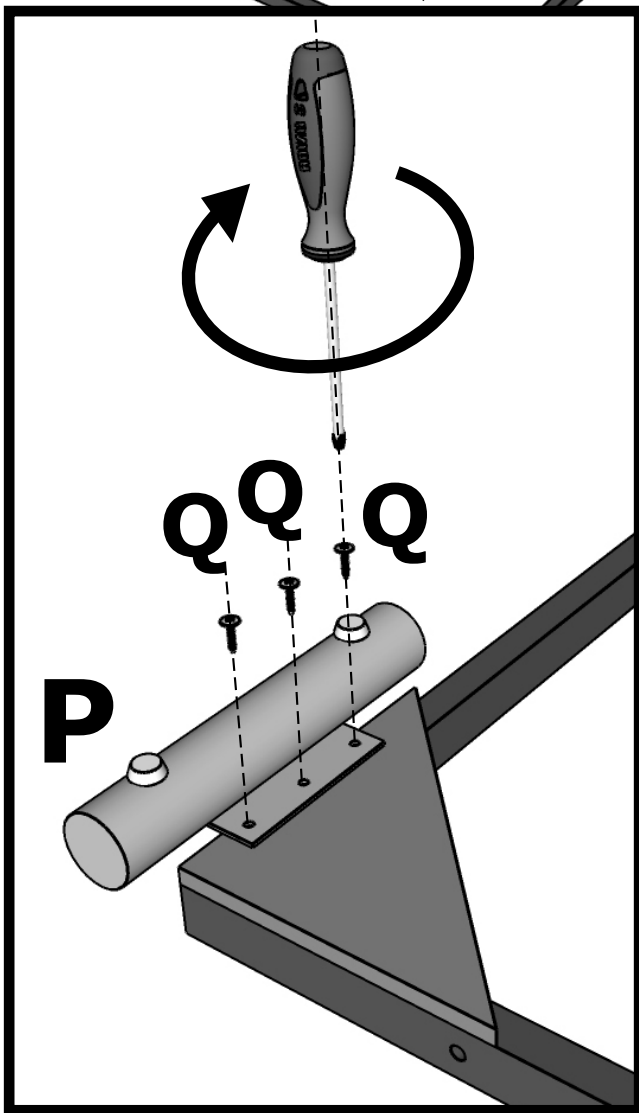
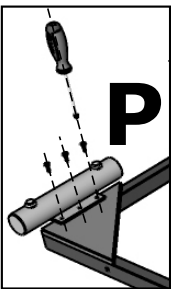
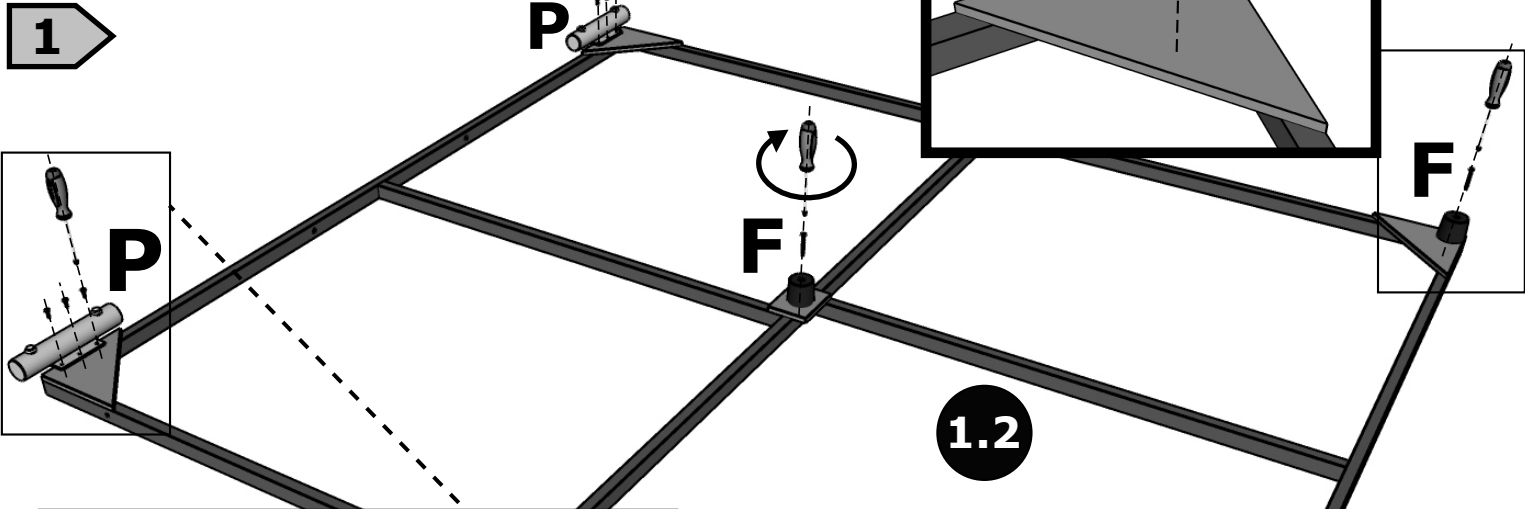
! +/-2CM

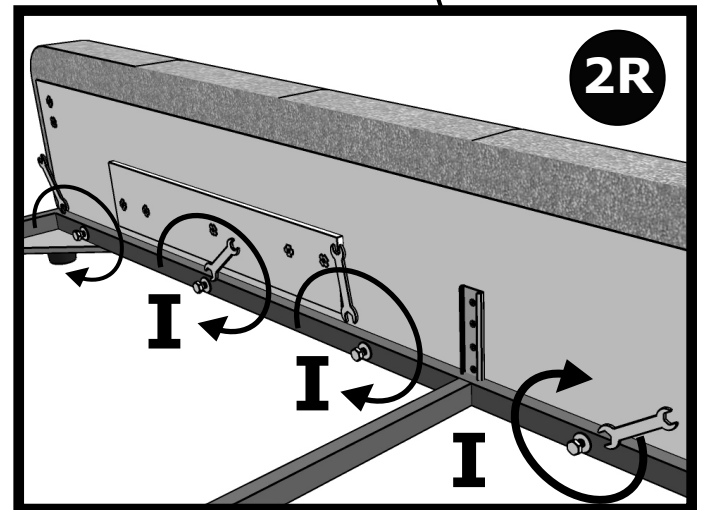
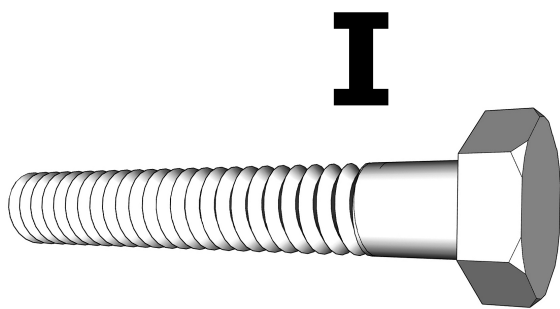
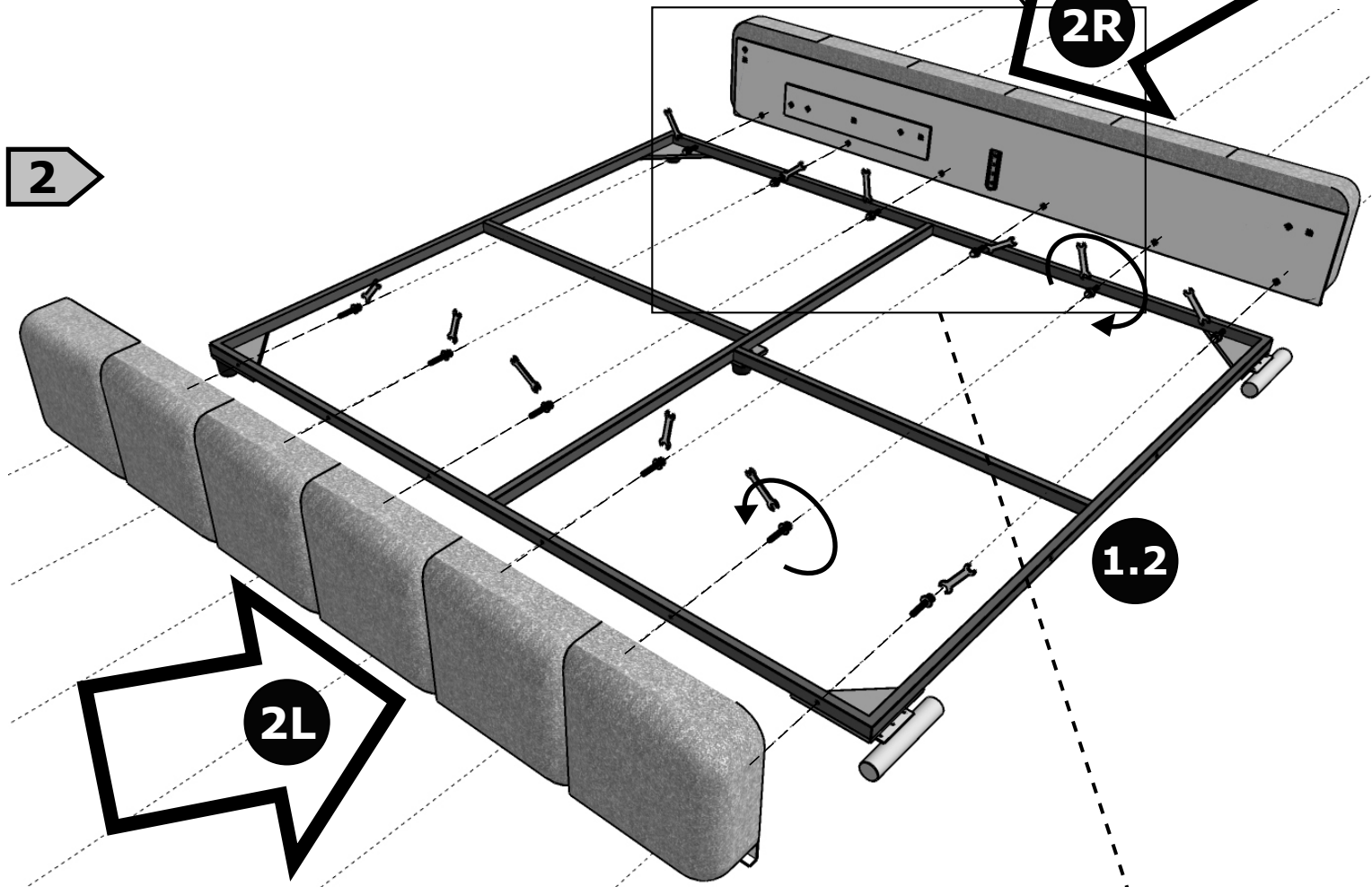
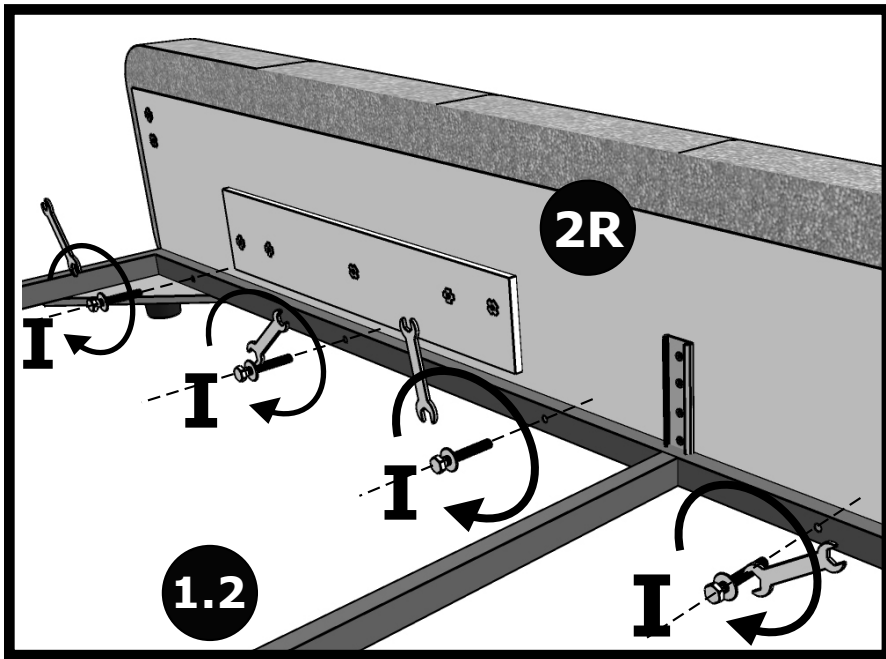


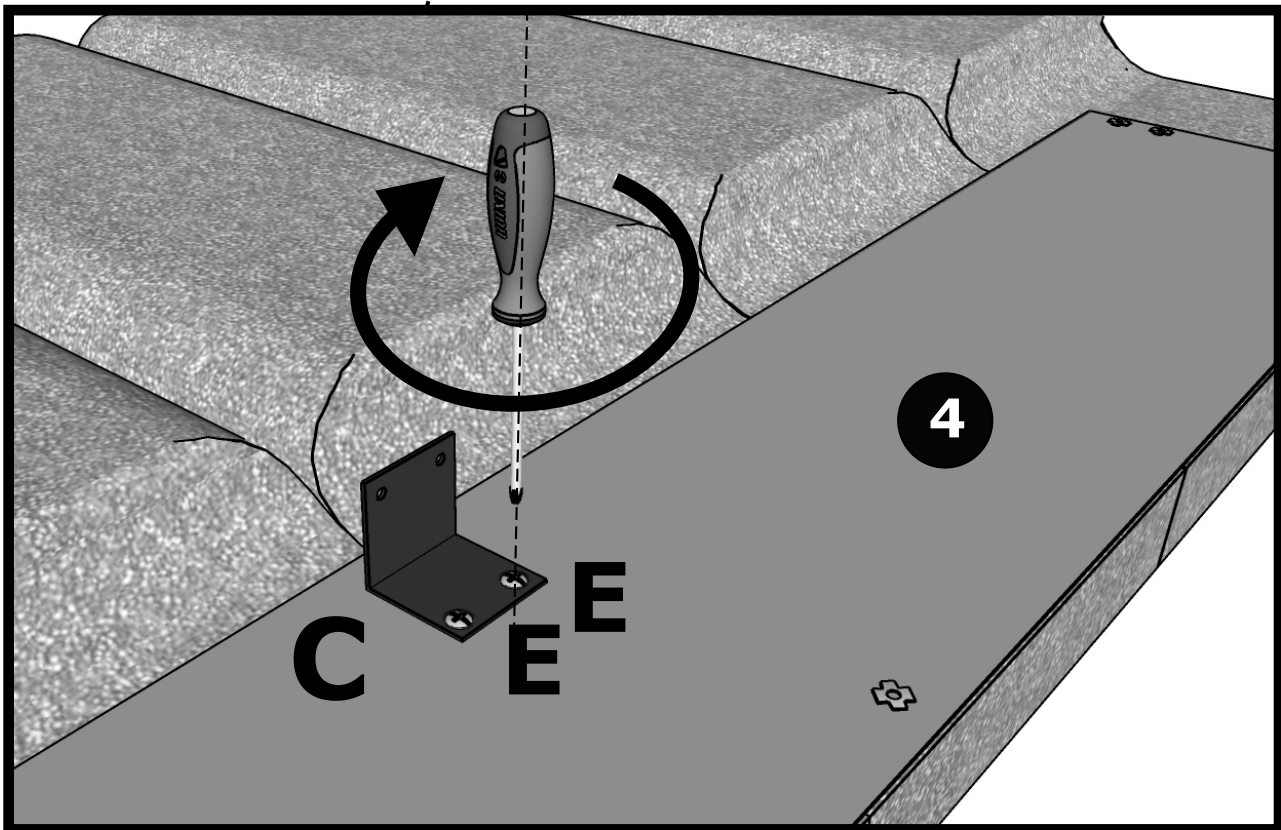
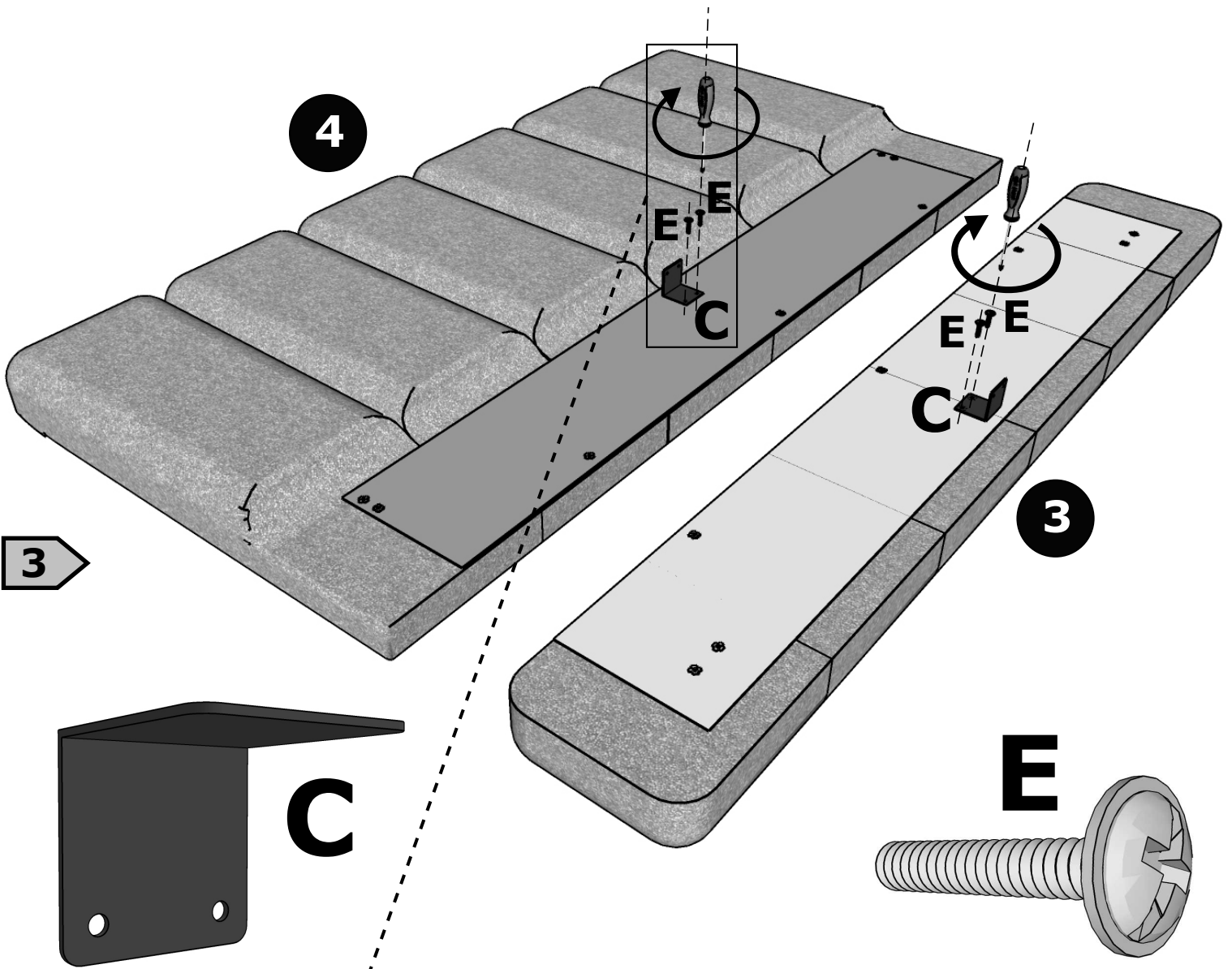


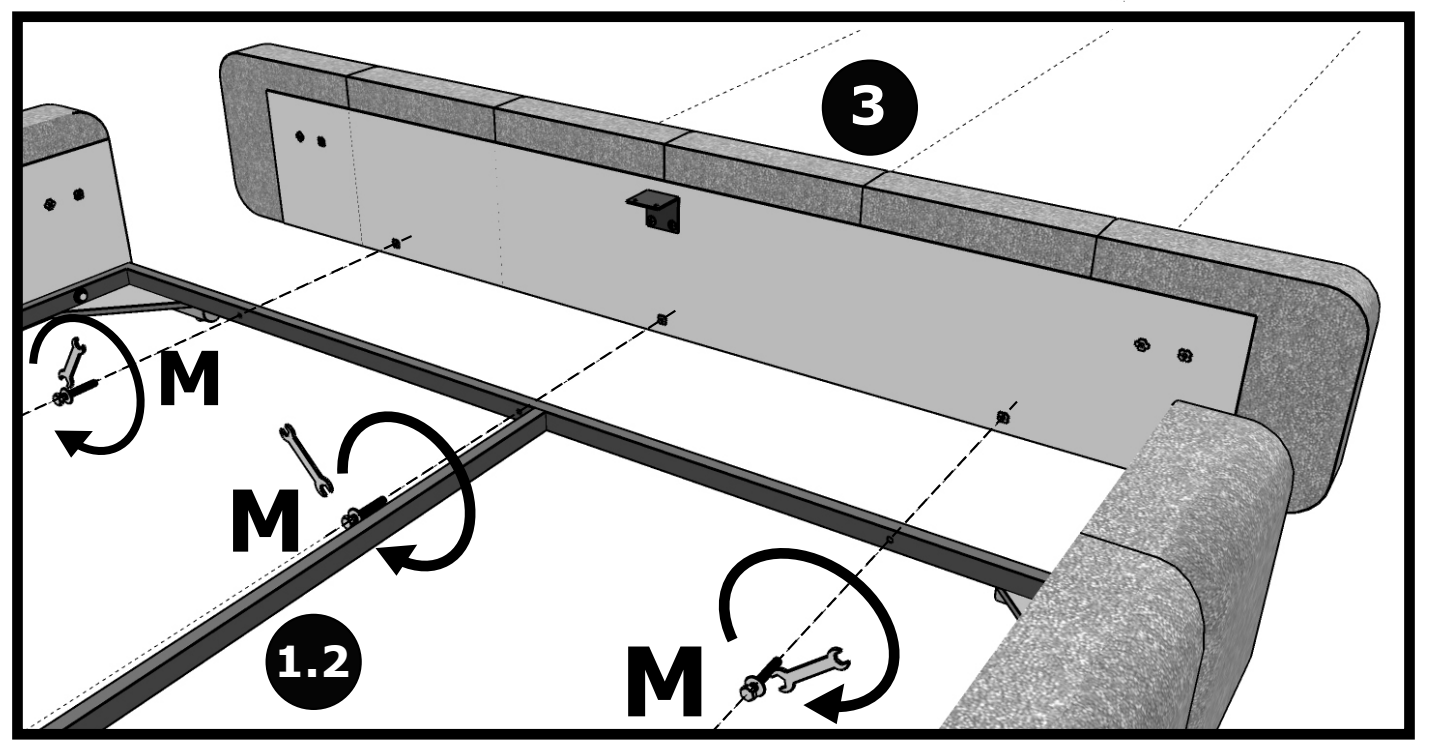
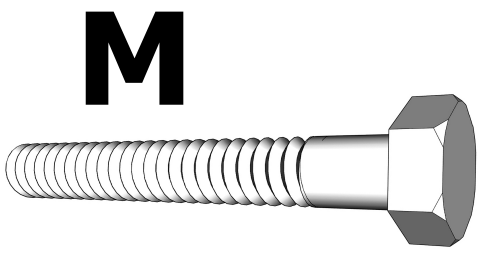
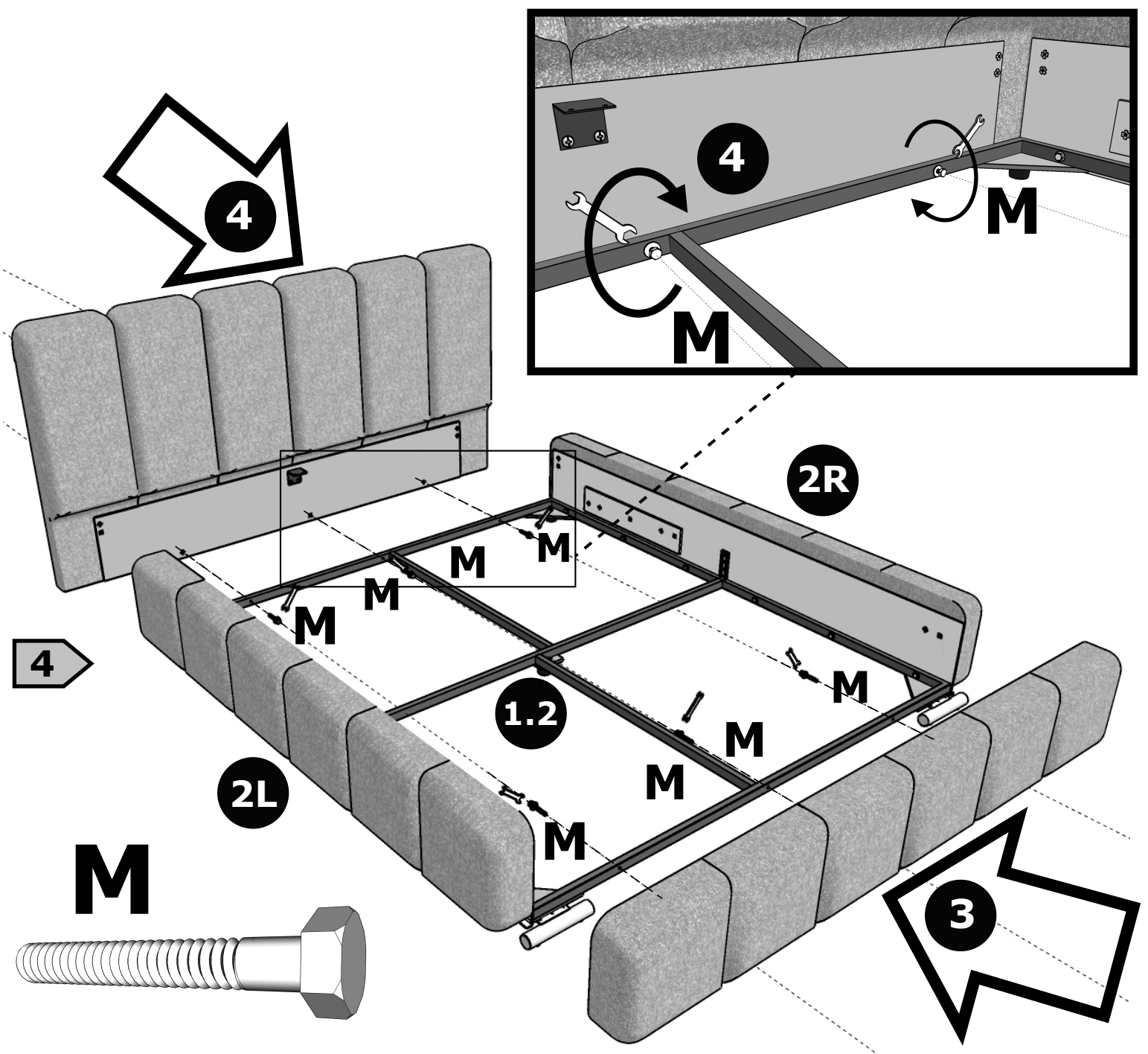


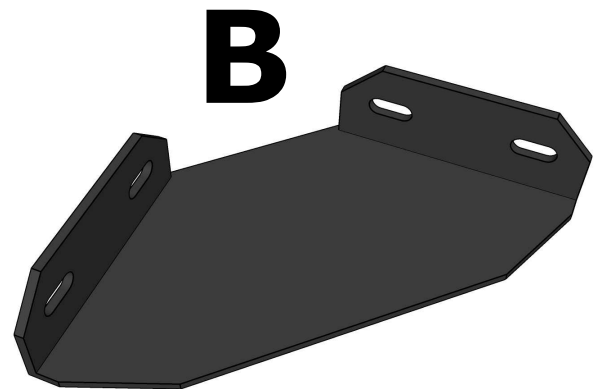
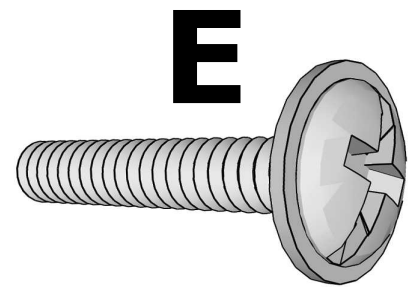
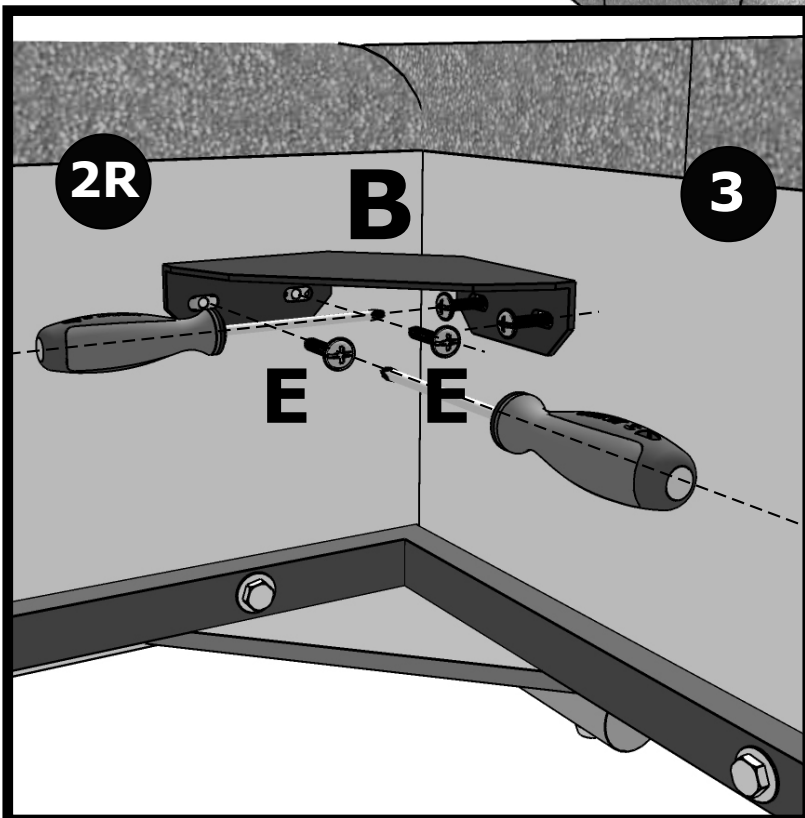
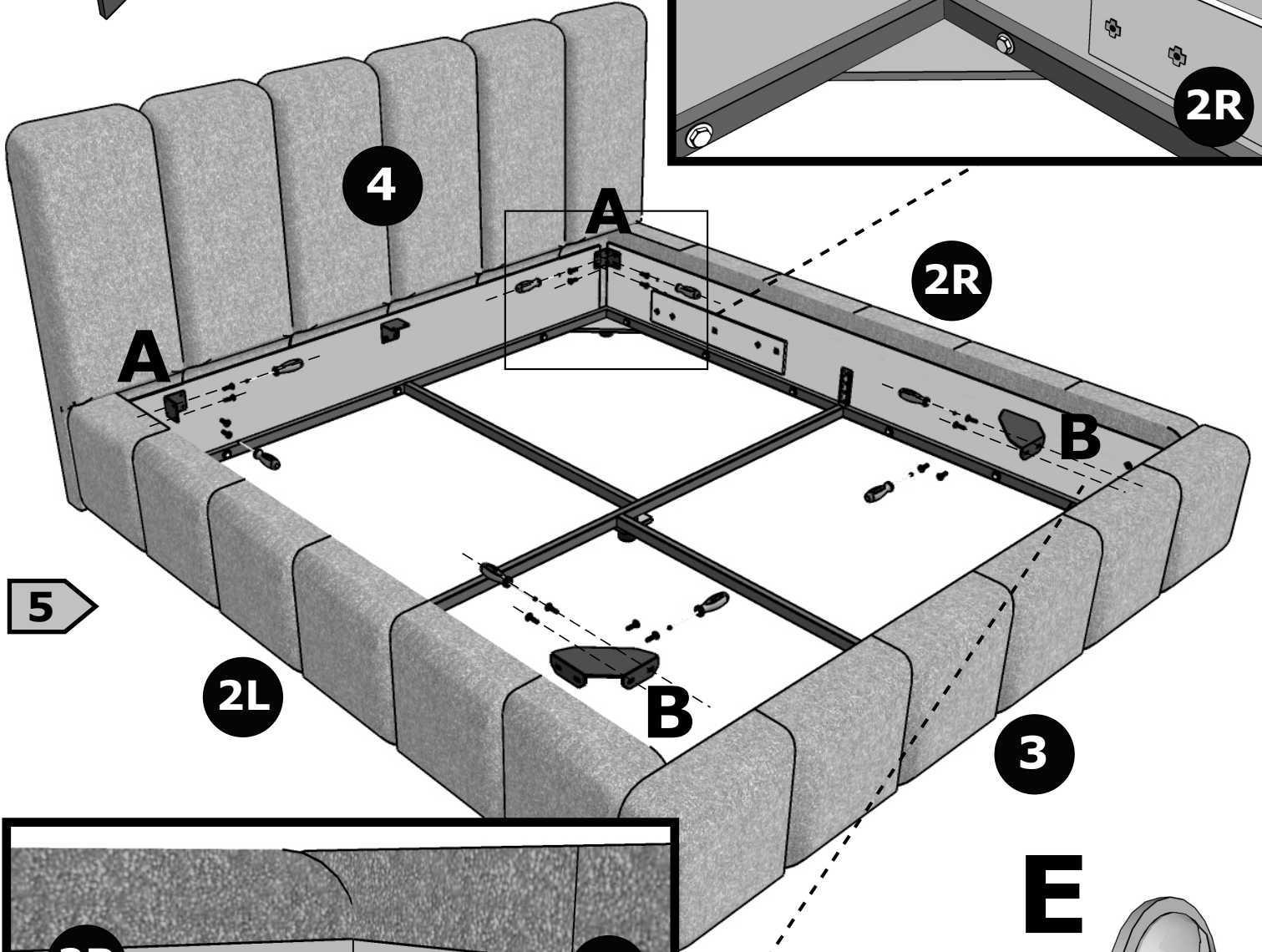
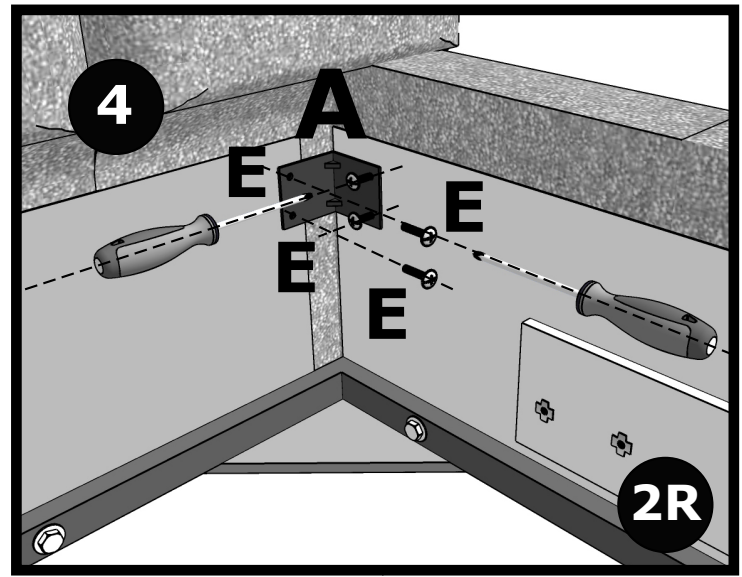
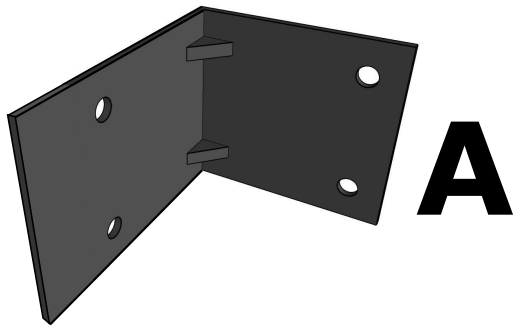
1

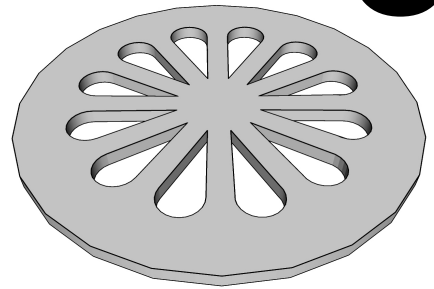
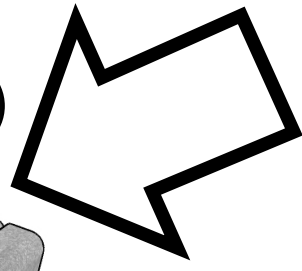
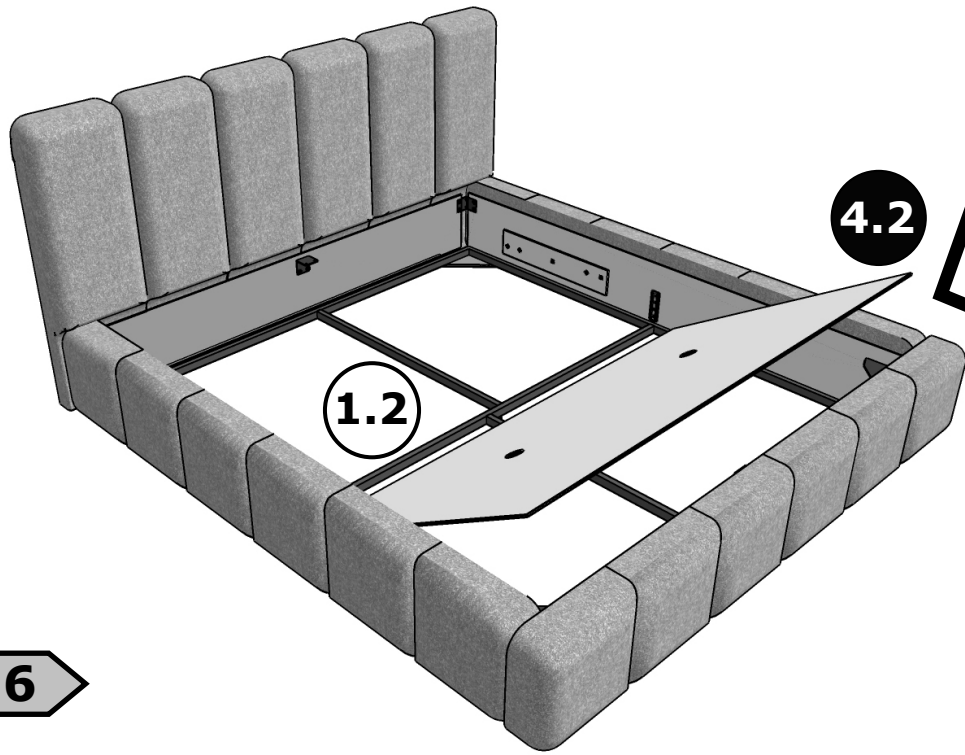




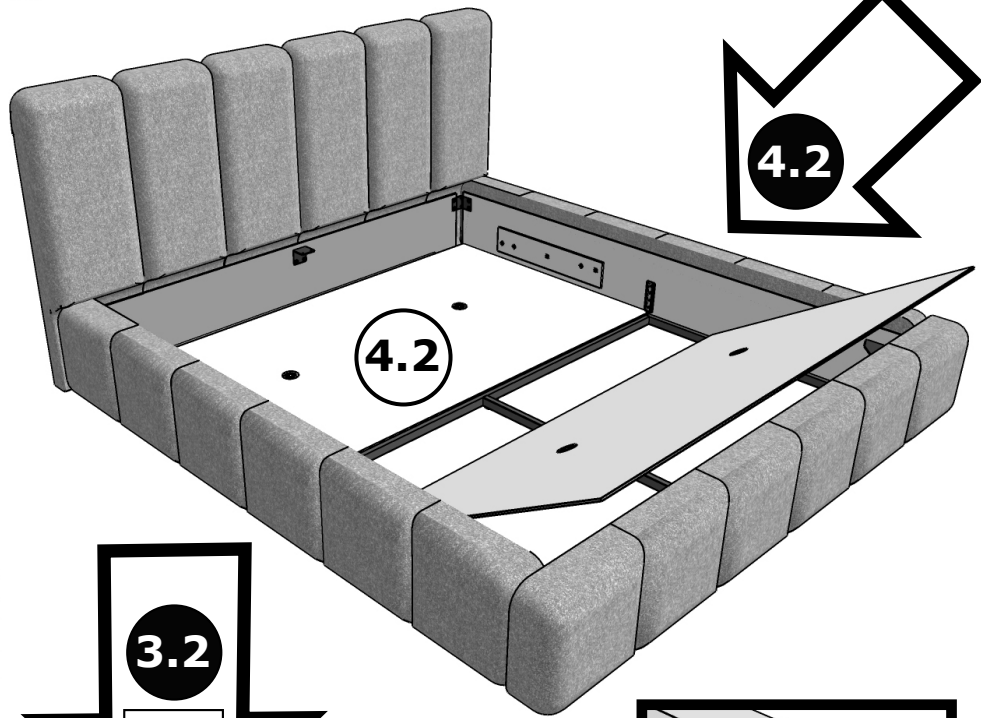
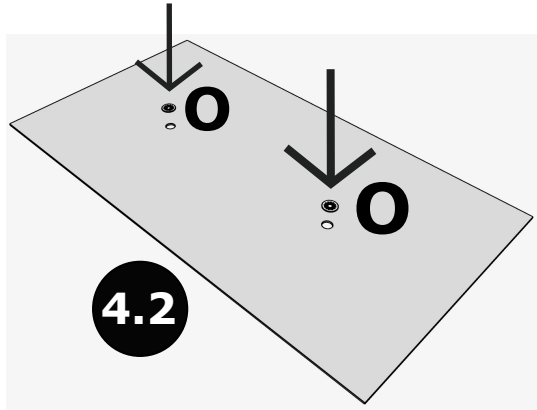




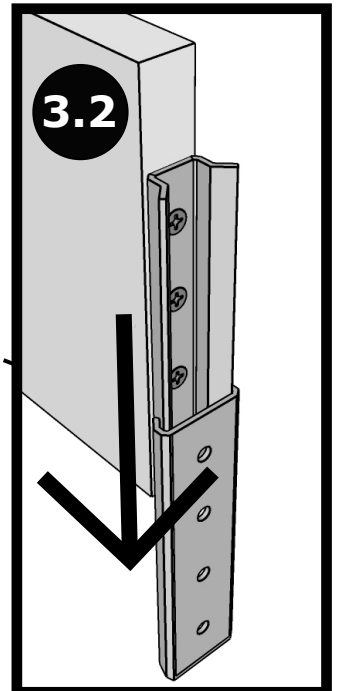
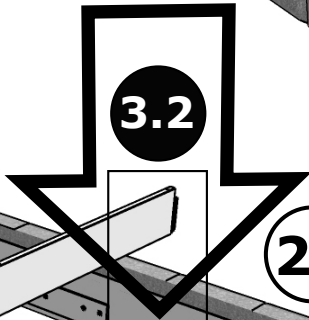
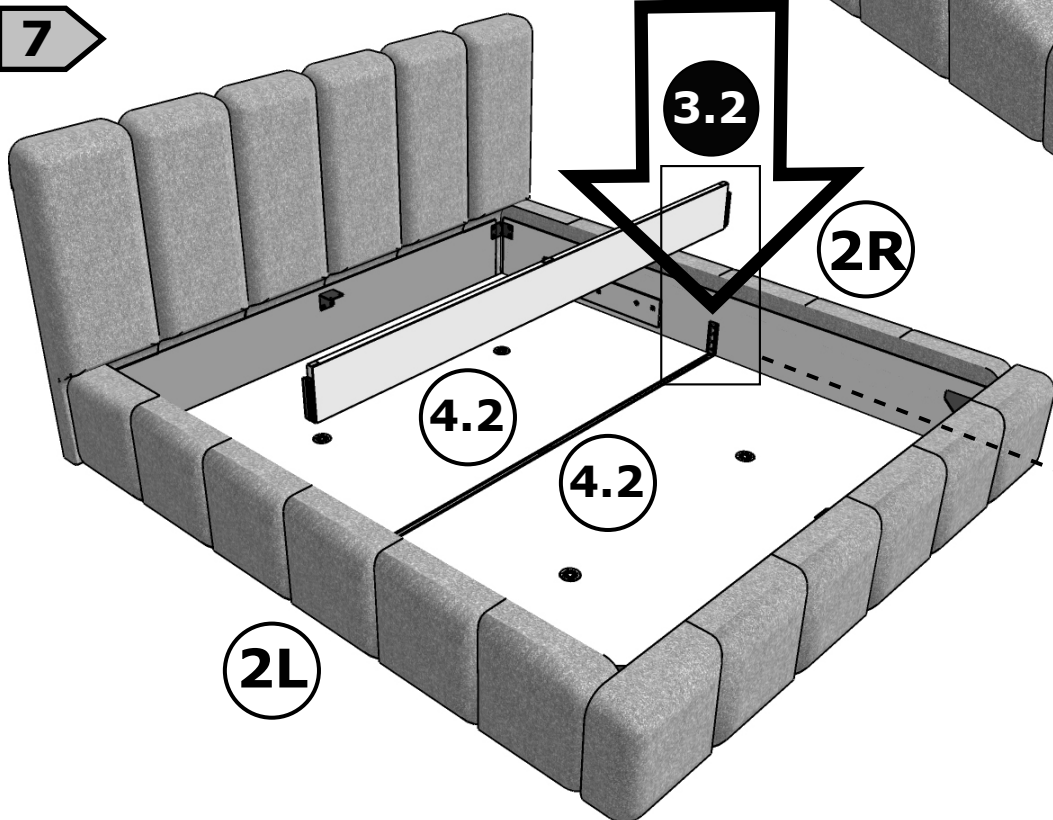




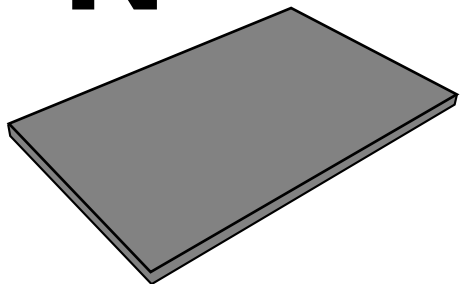
6



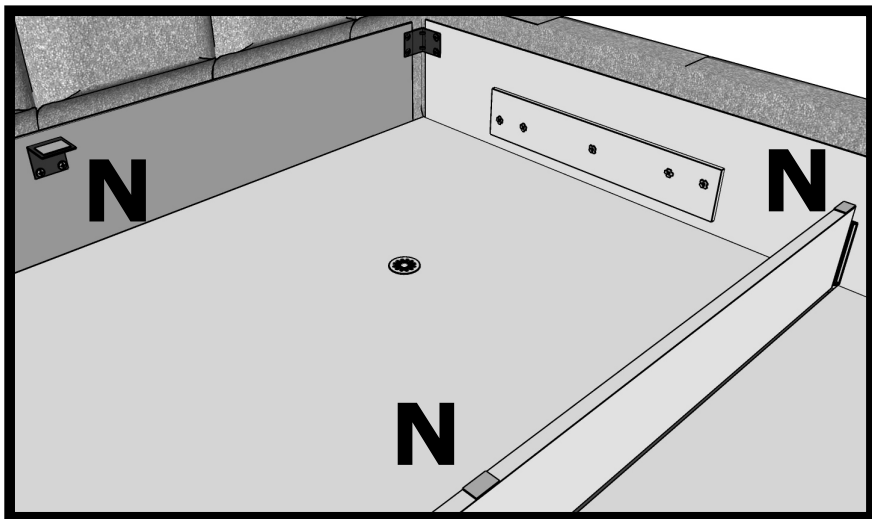
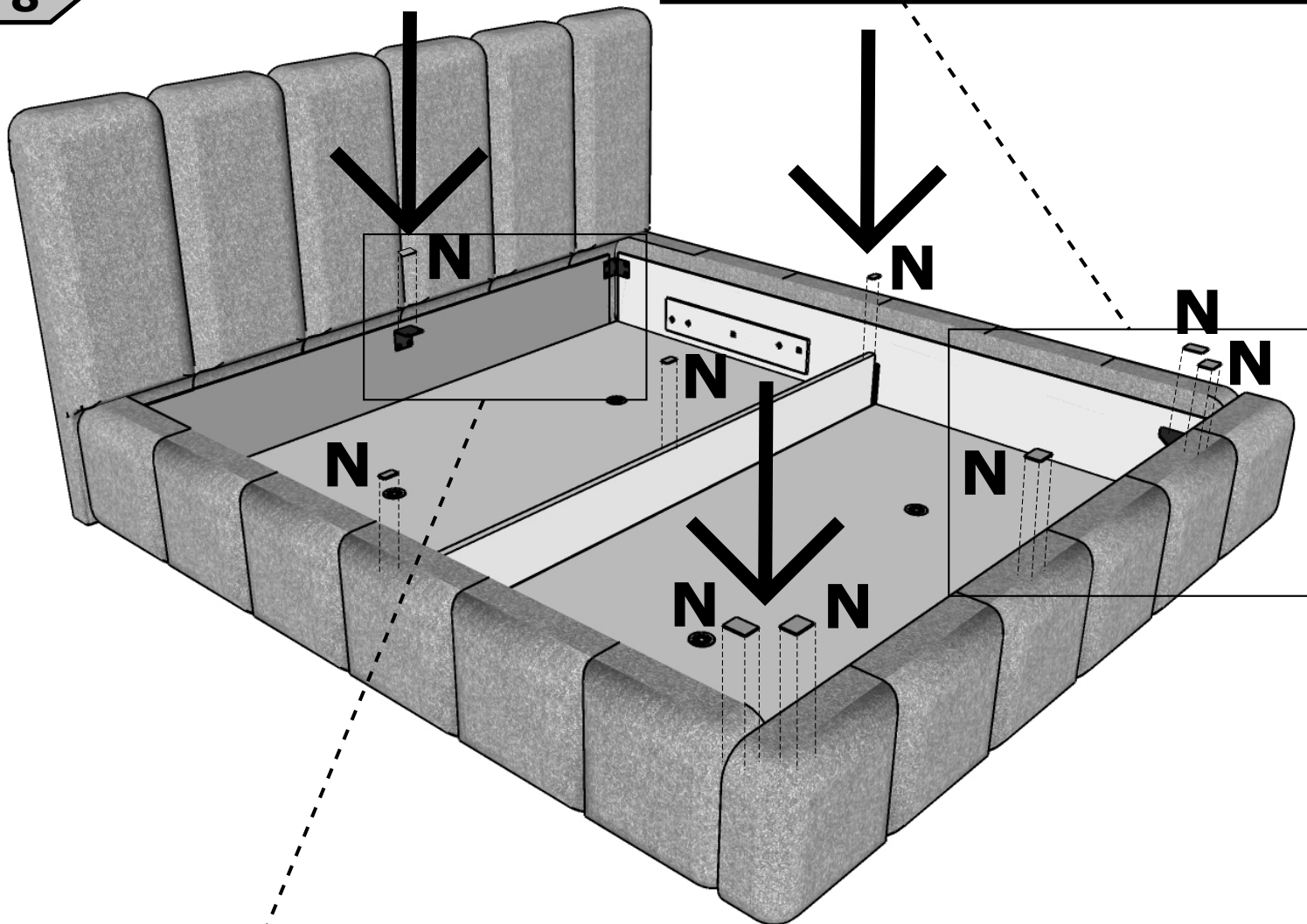
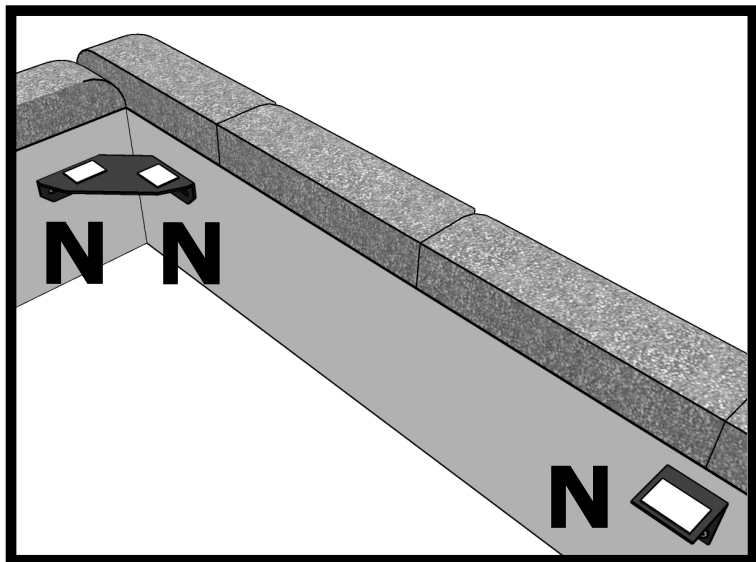
7

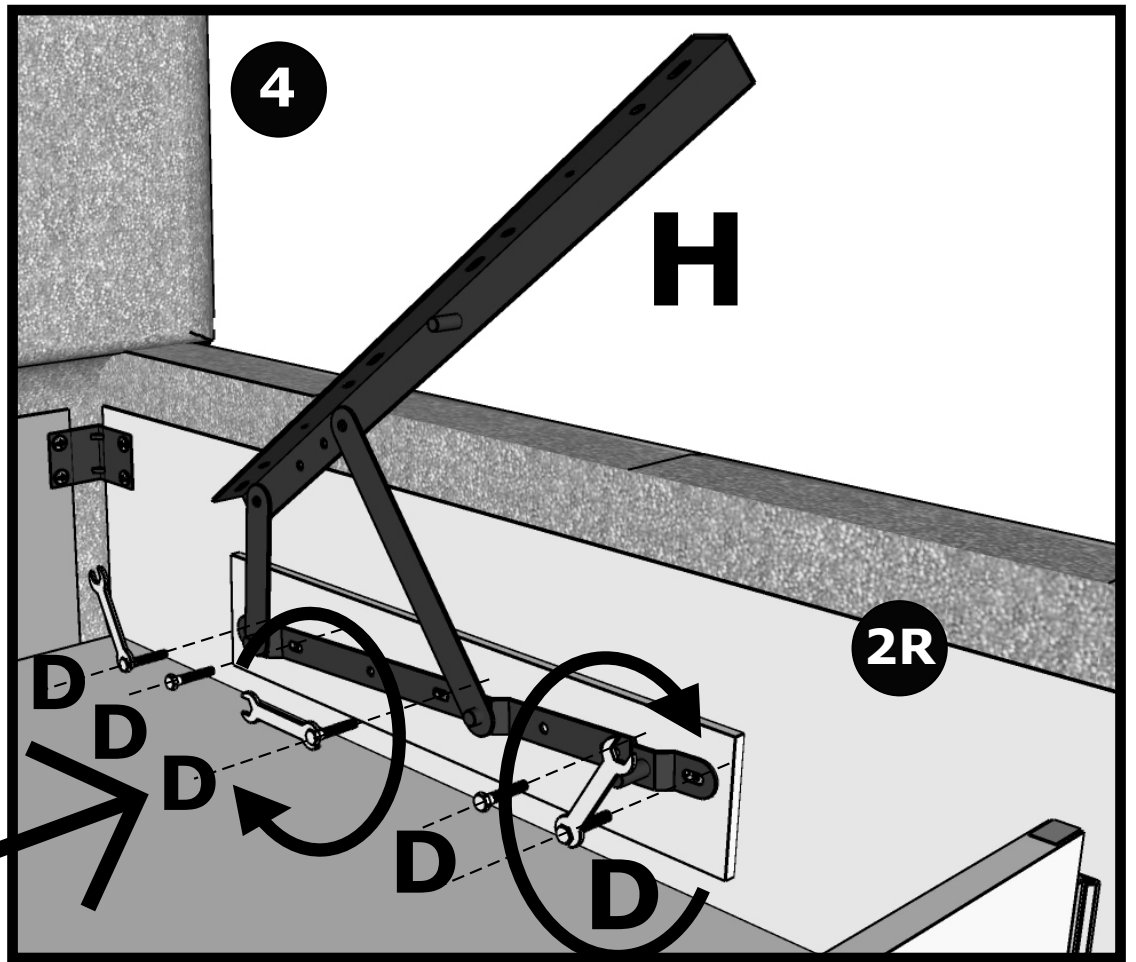


N

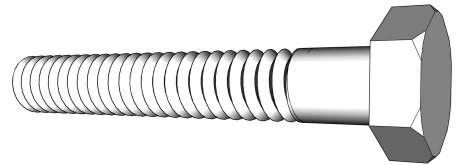
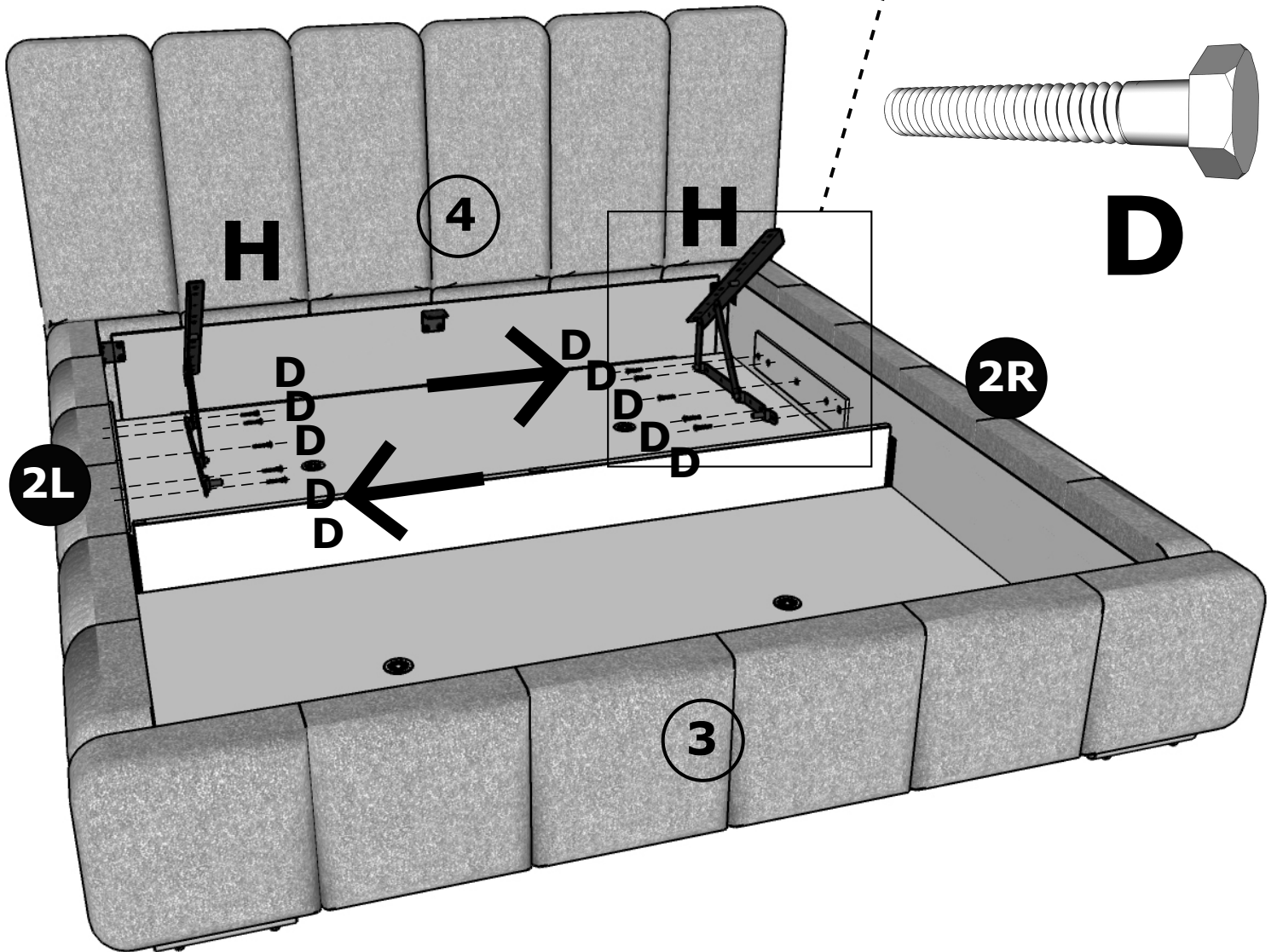


8

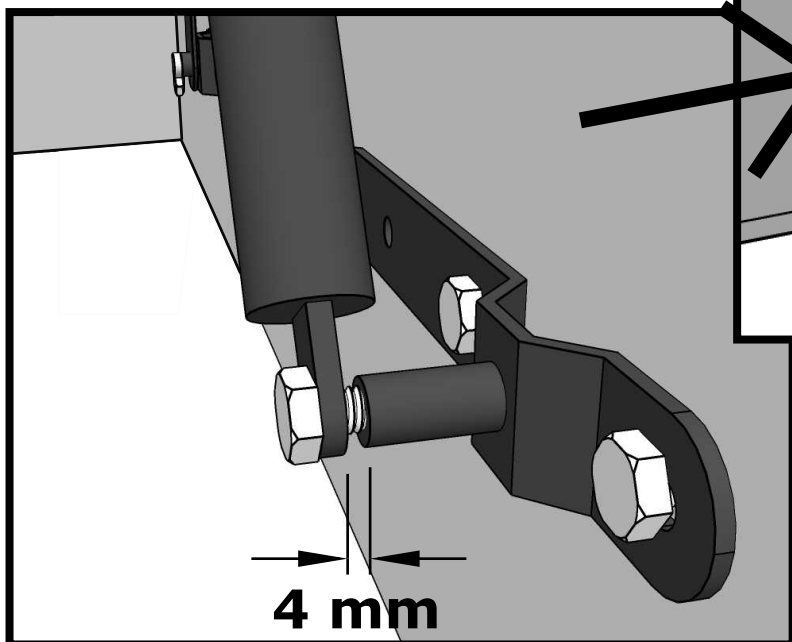
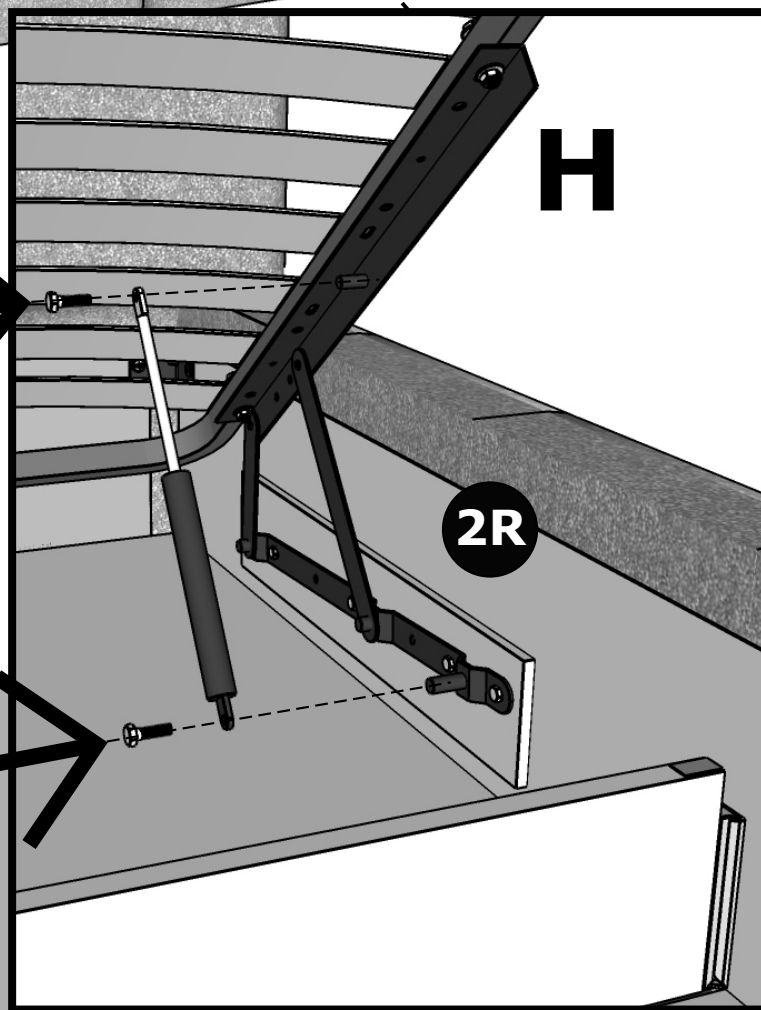
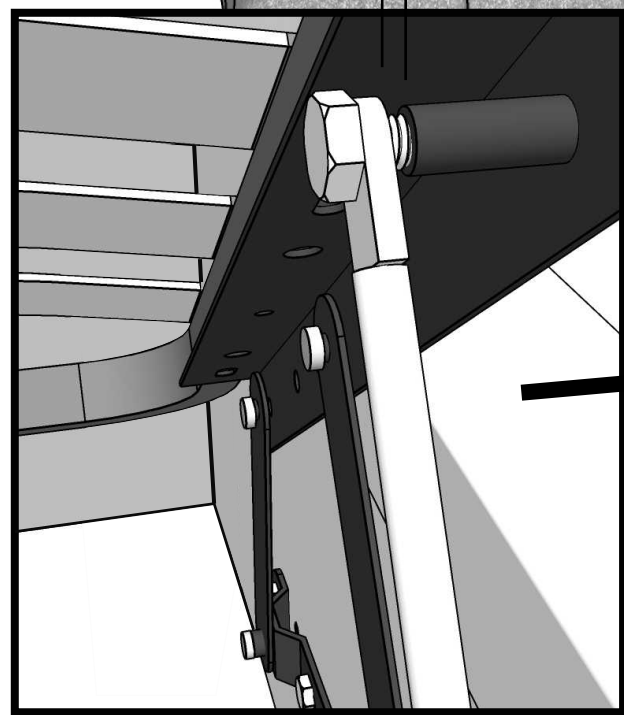
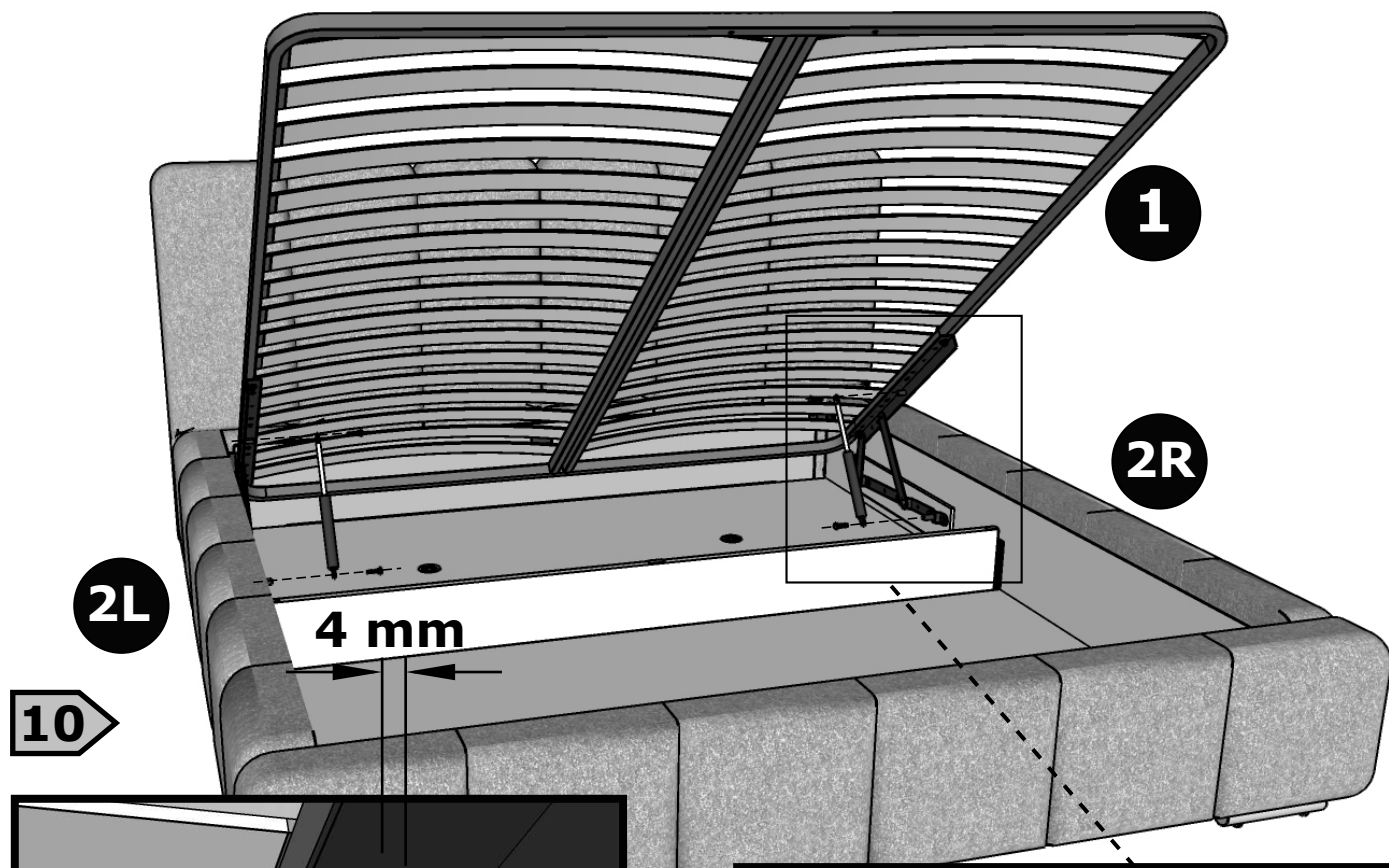


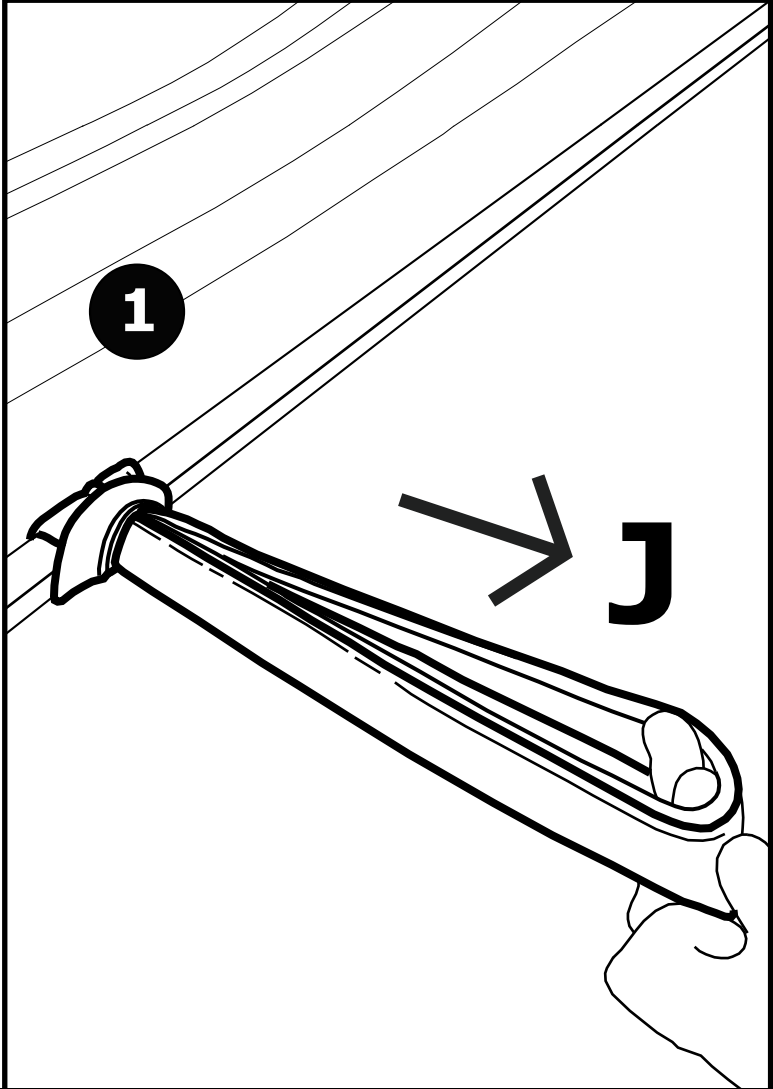
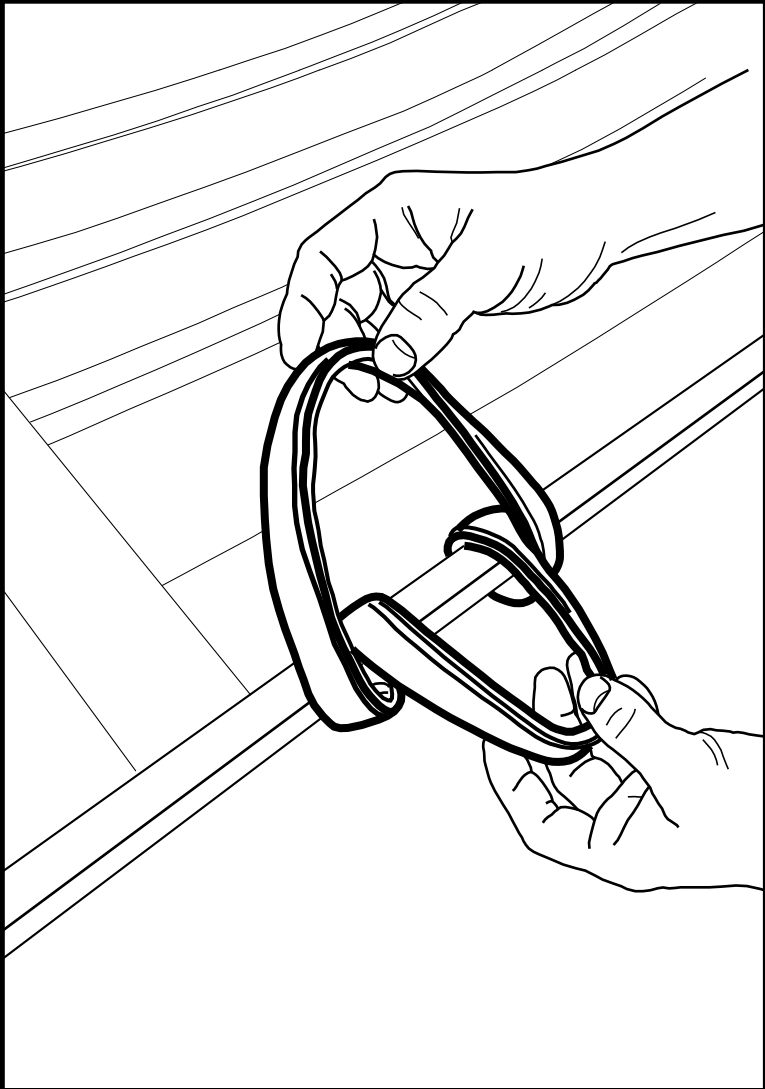
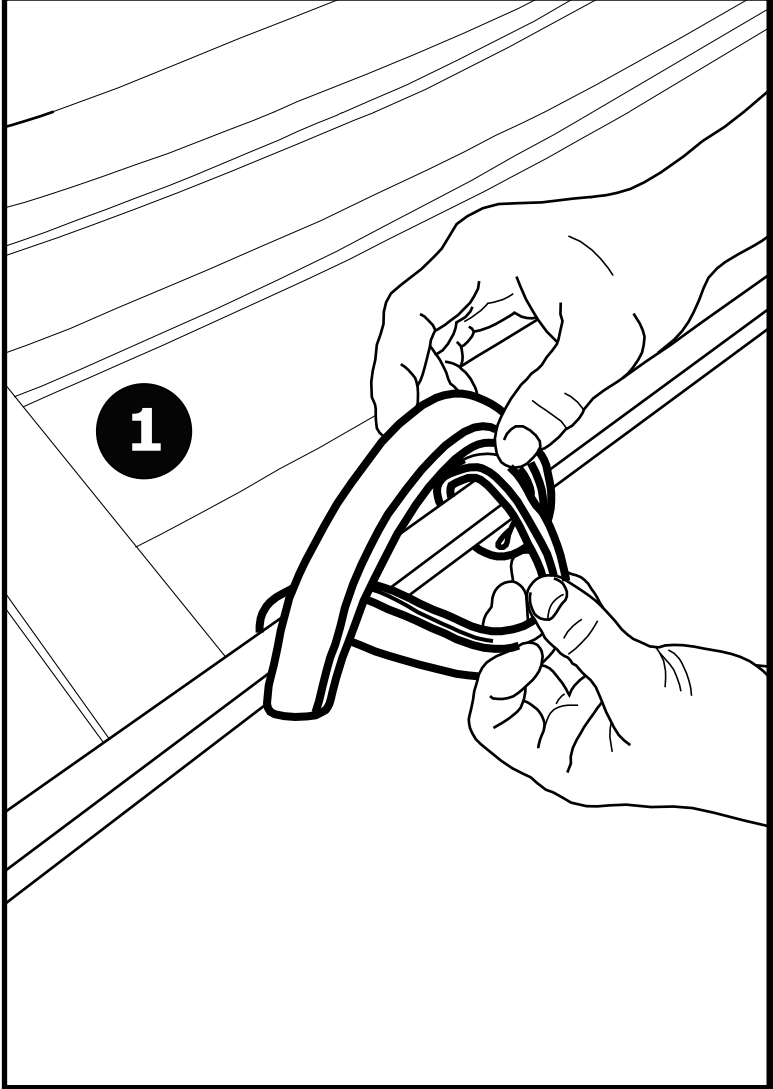
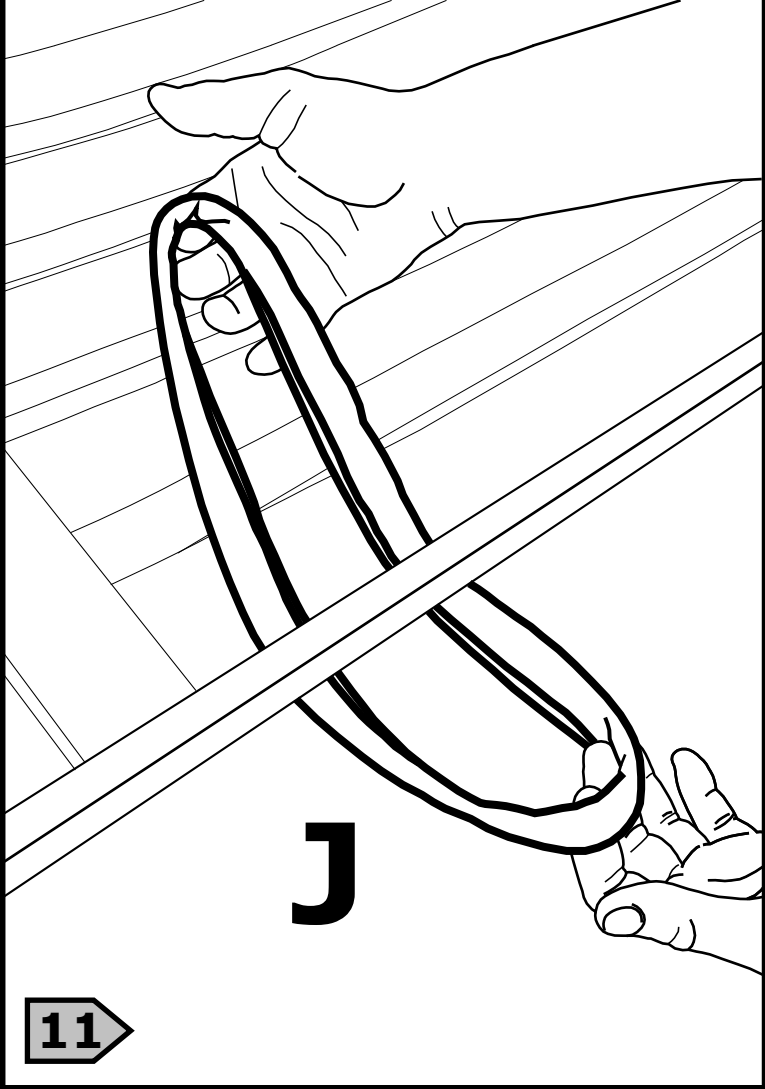


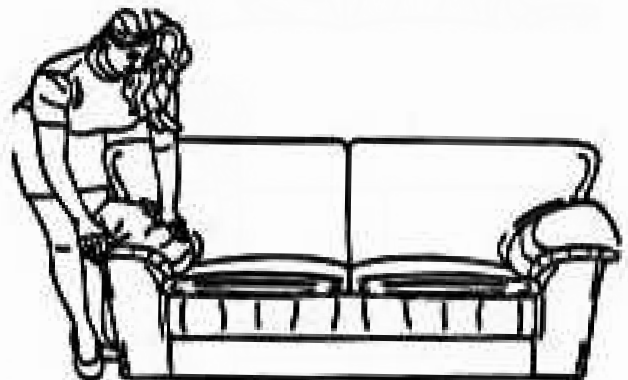
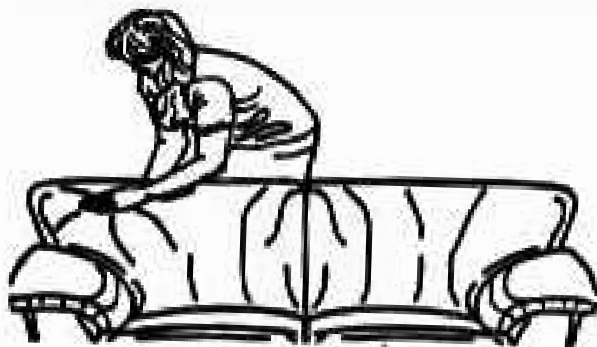
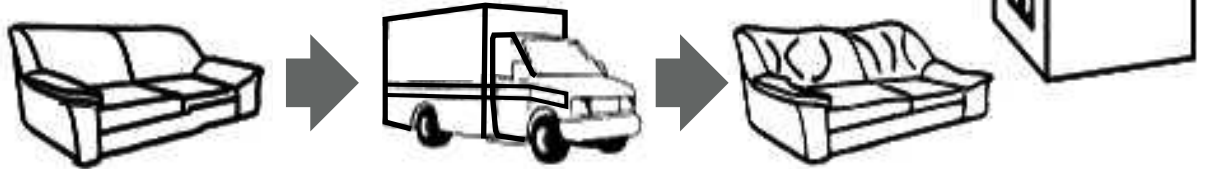
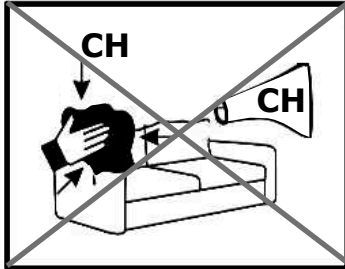
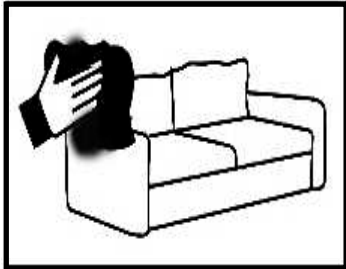
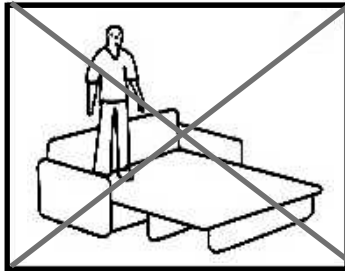
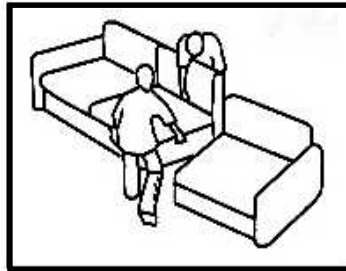
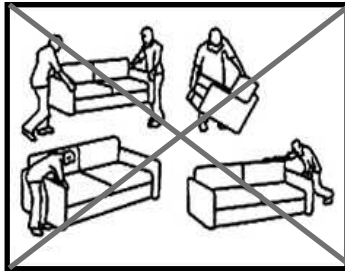
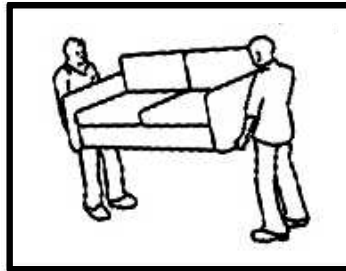
9



D







SIYENA