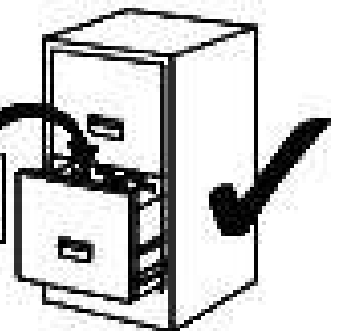
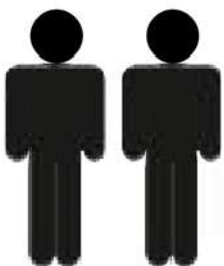
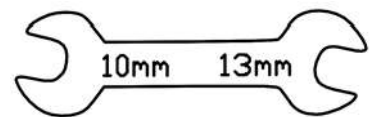
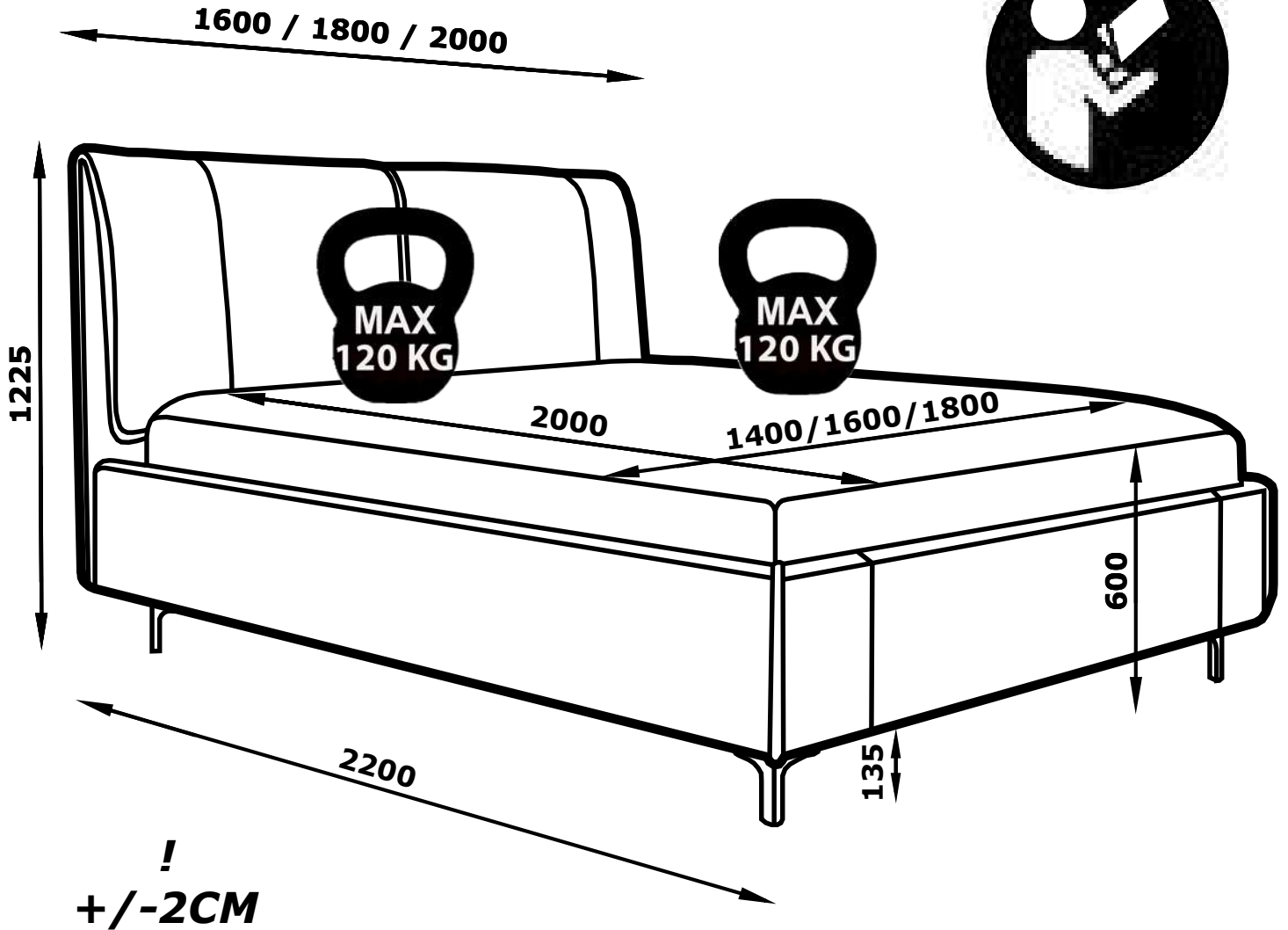
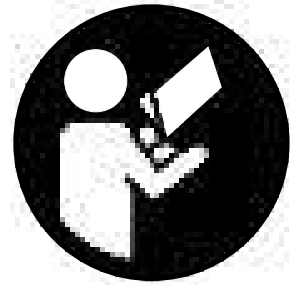
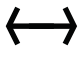



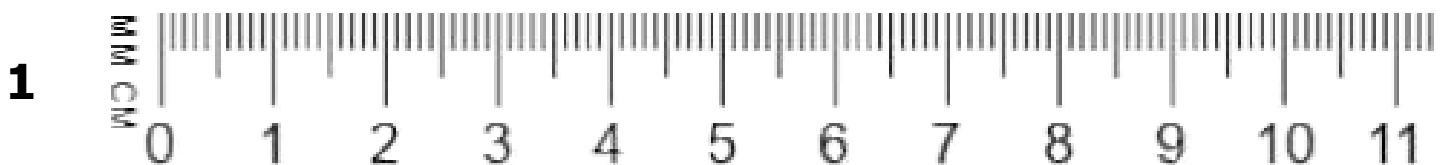
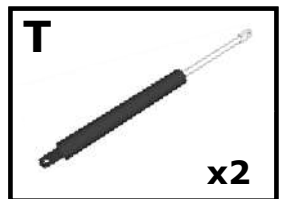
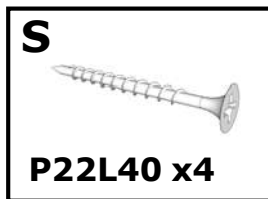
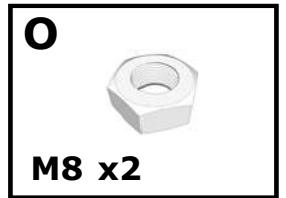
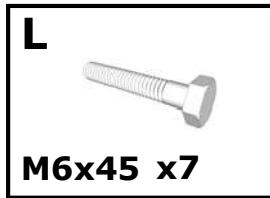
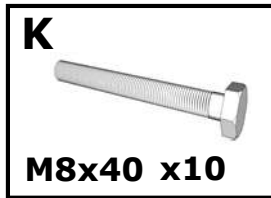
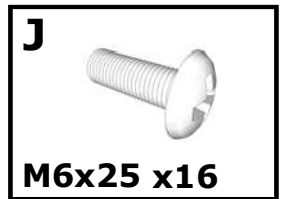
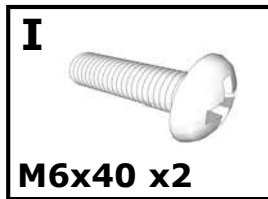
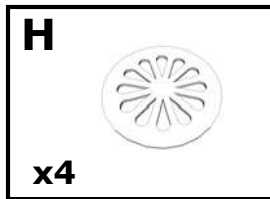
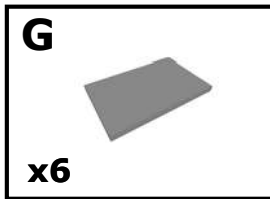
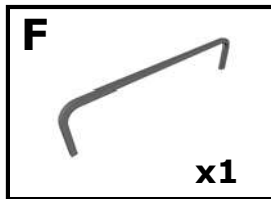
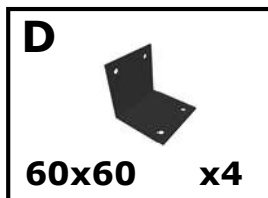
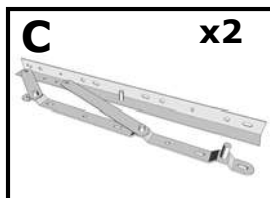
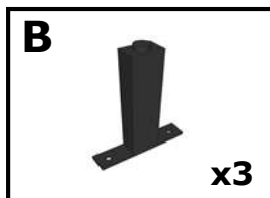
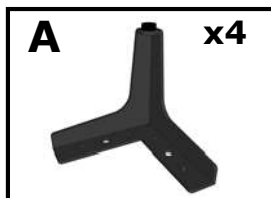
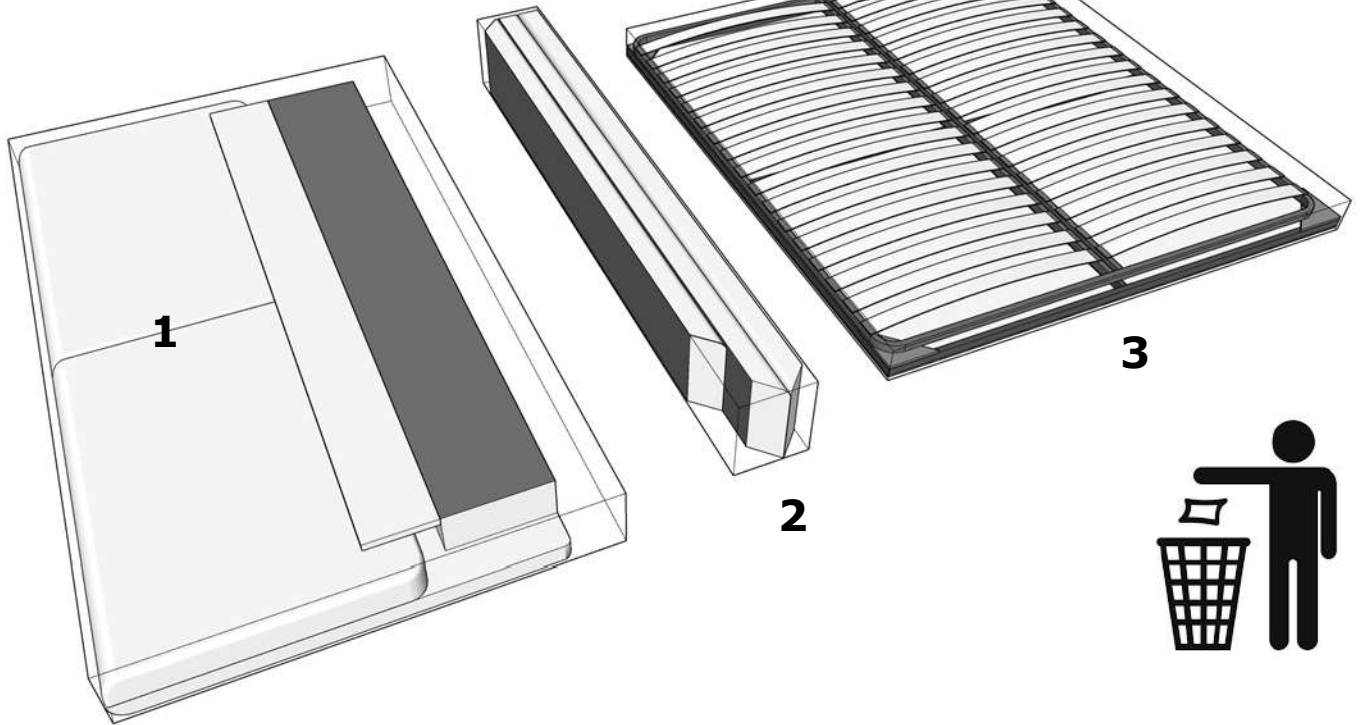
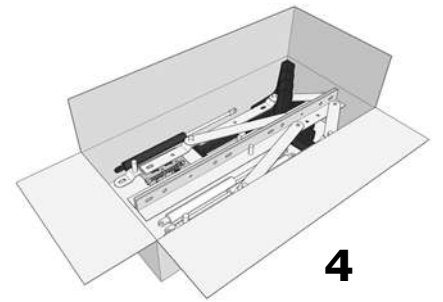
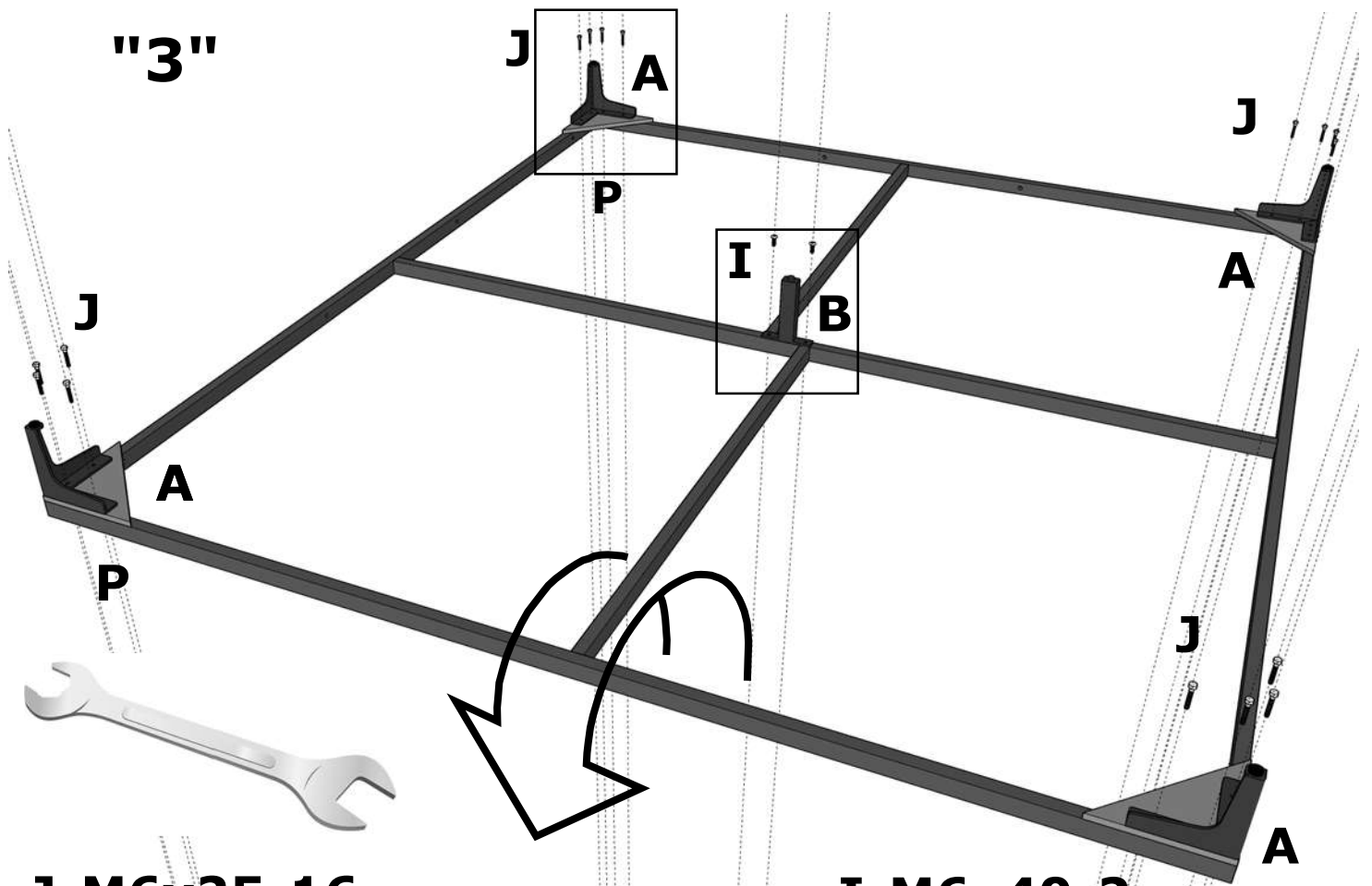


# MONIKA

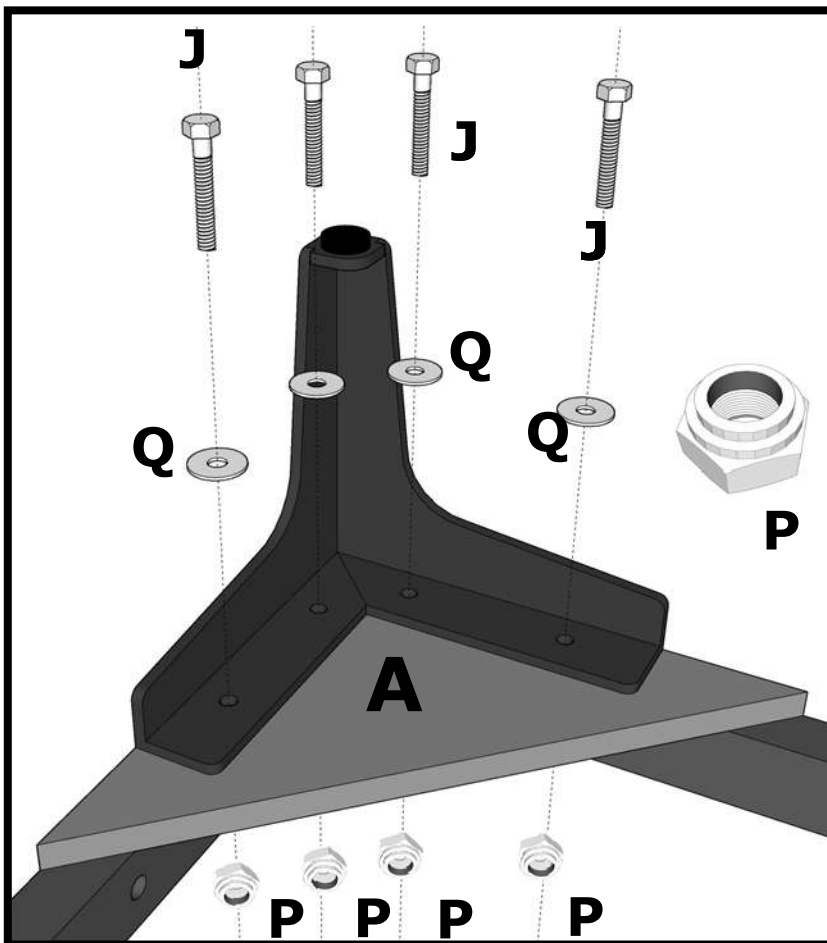


				PCS	
<b>1</b>	<b>2060</b>	<b>1200</b>	<b>200</b>	<b>x1</b>	<b>1/3</b>
<b>2</b>	<b>2300</b>	<b>260</b>	<b>300</b>	<b>x1</b>	<b>2/3</b>
<b>3</b>	<b>2060</b>	<b>1900</b>	<b>140</b>	<b>x1</b>	<b>3/3</b>
<b>4</b>	<b>660</b>	<b>310</b>	<b>140</b>	<b>x1</b>	<b>4/3</b>

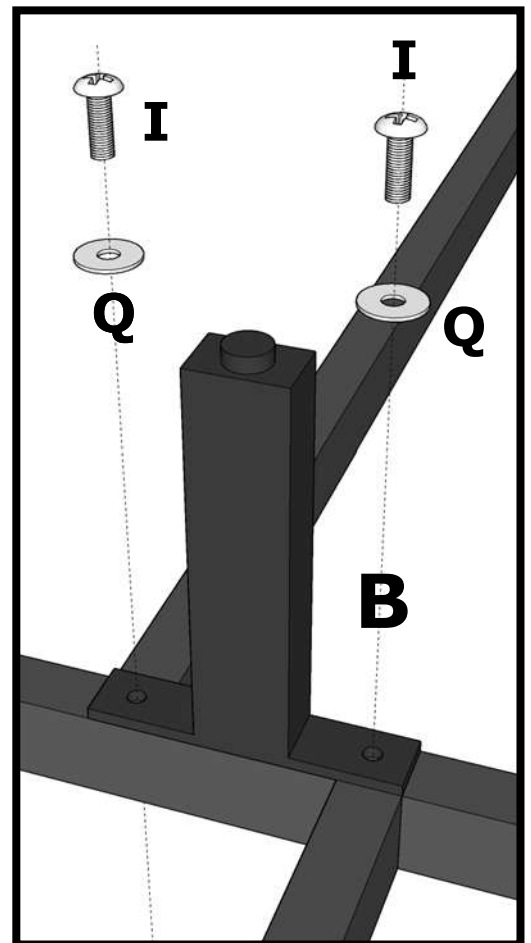


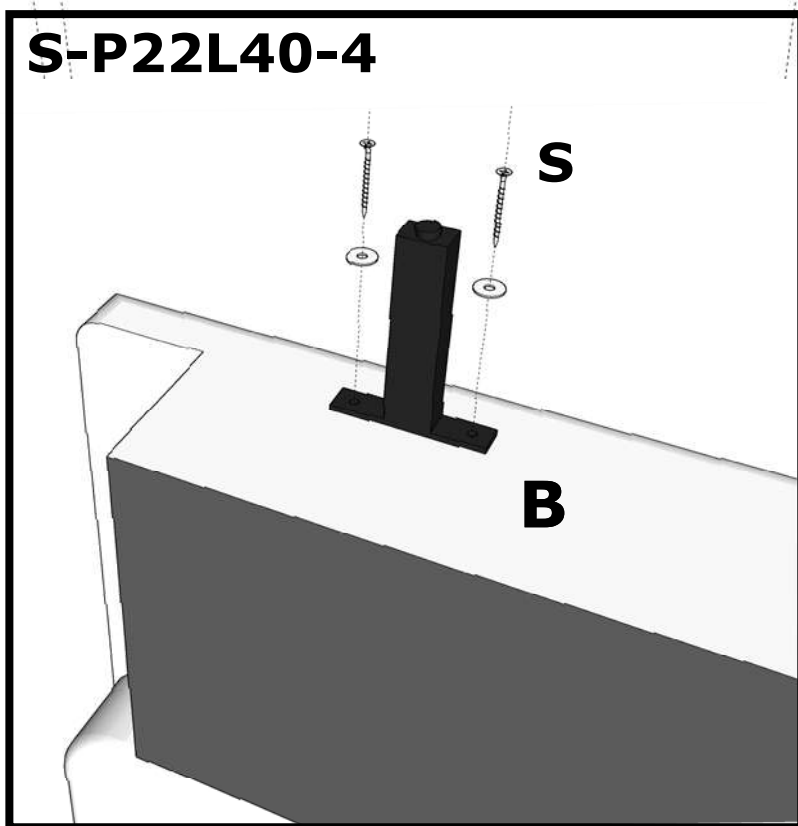
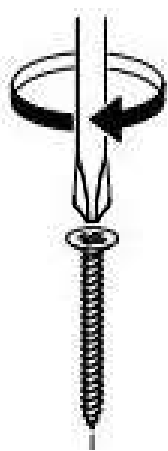
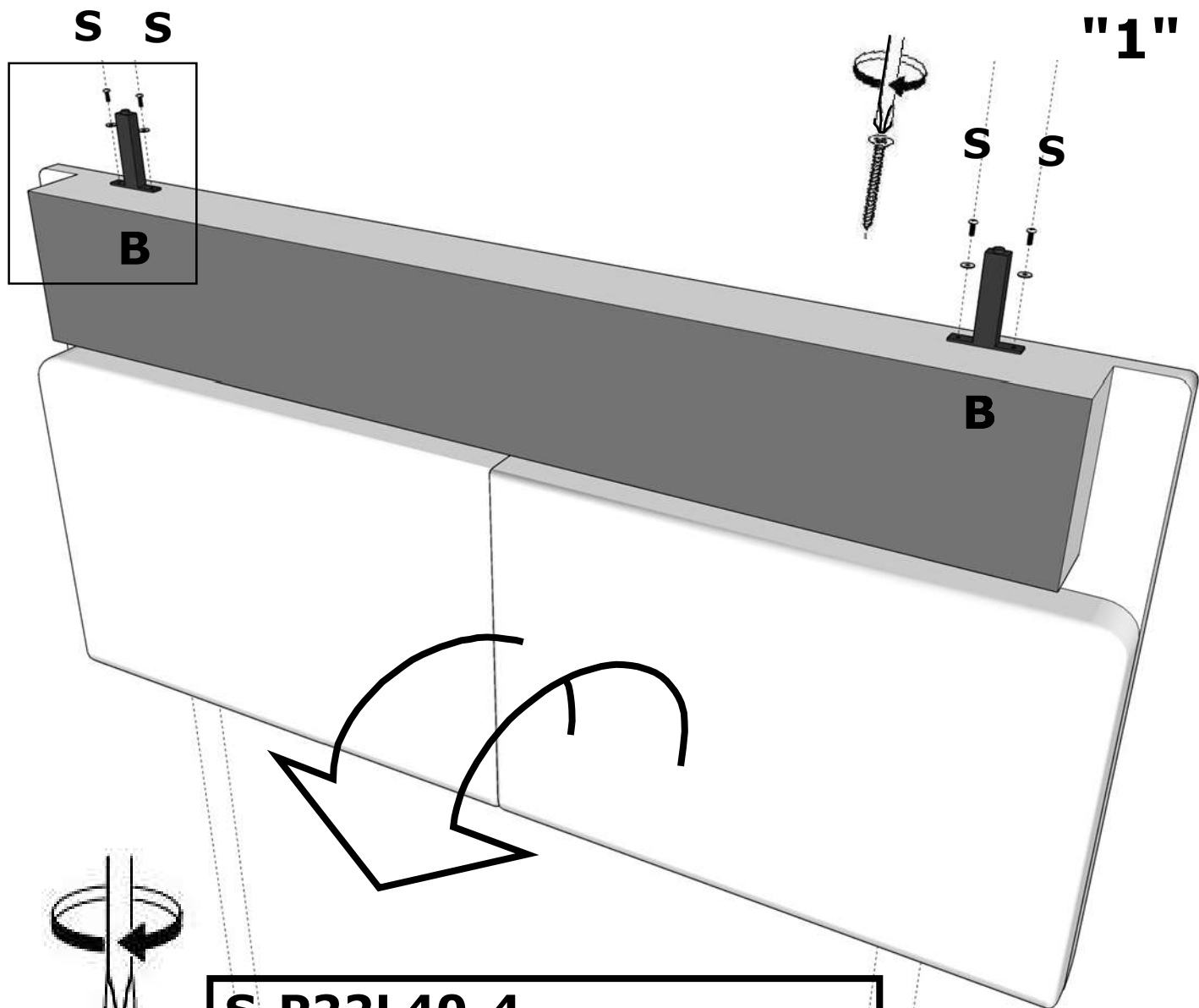


**J-M6x25-16**



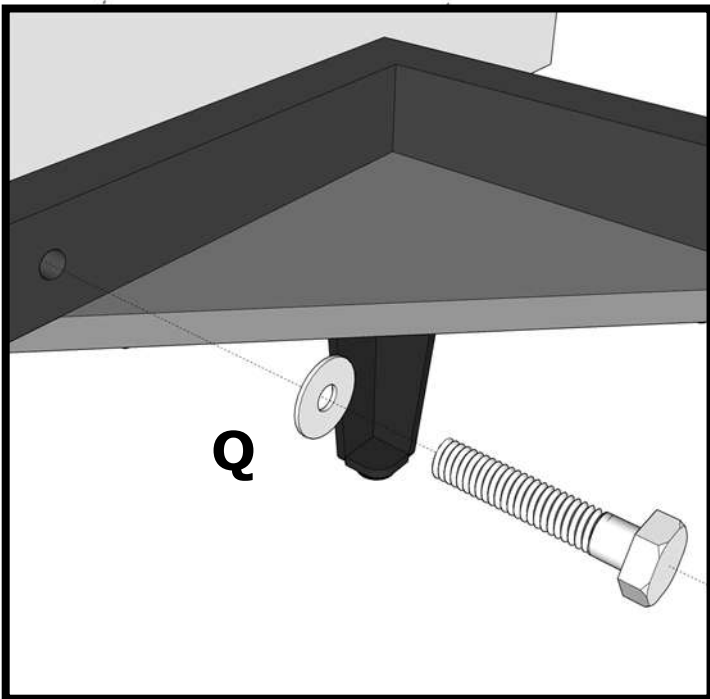
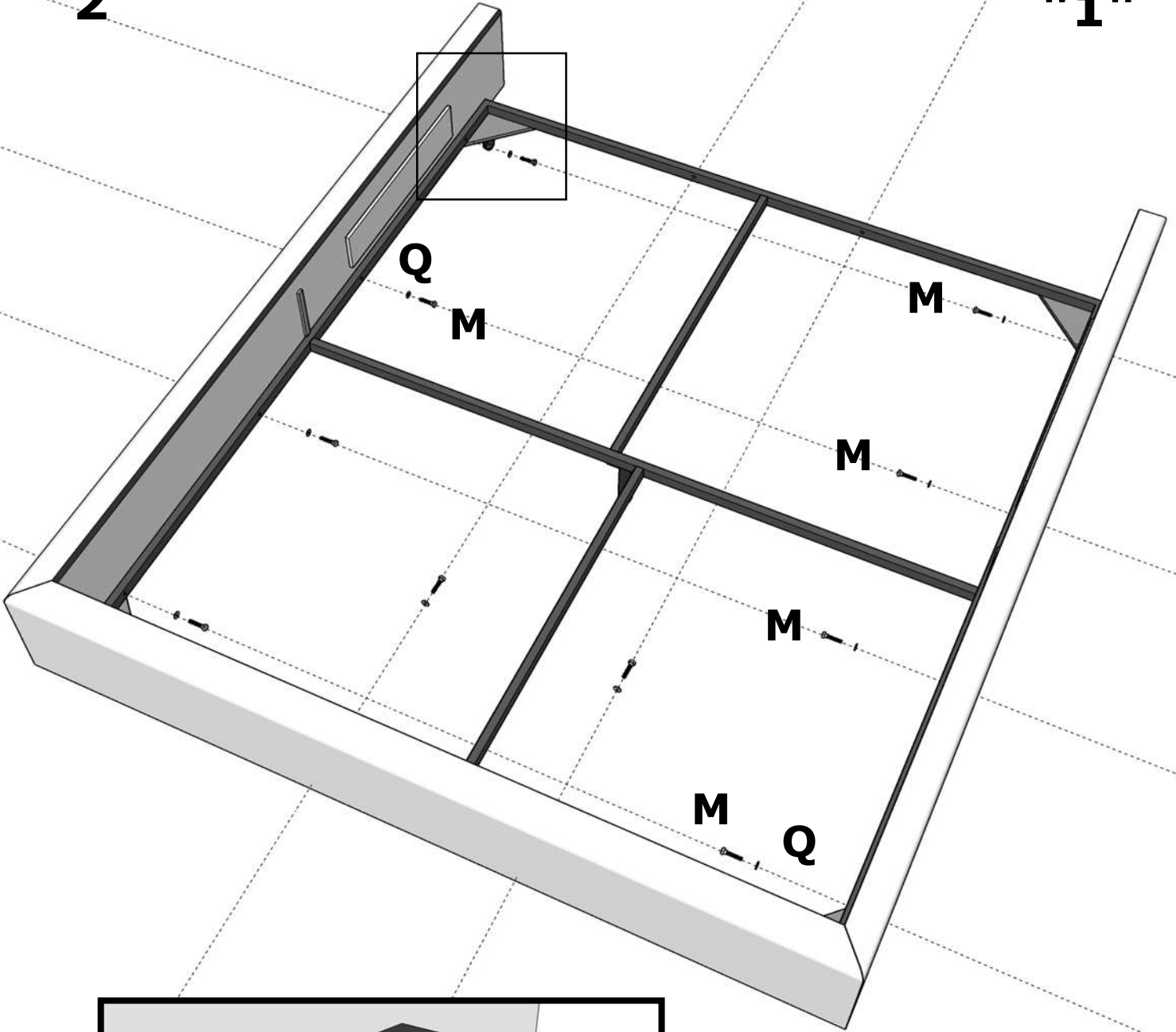
**I-M6x40-2**





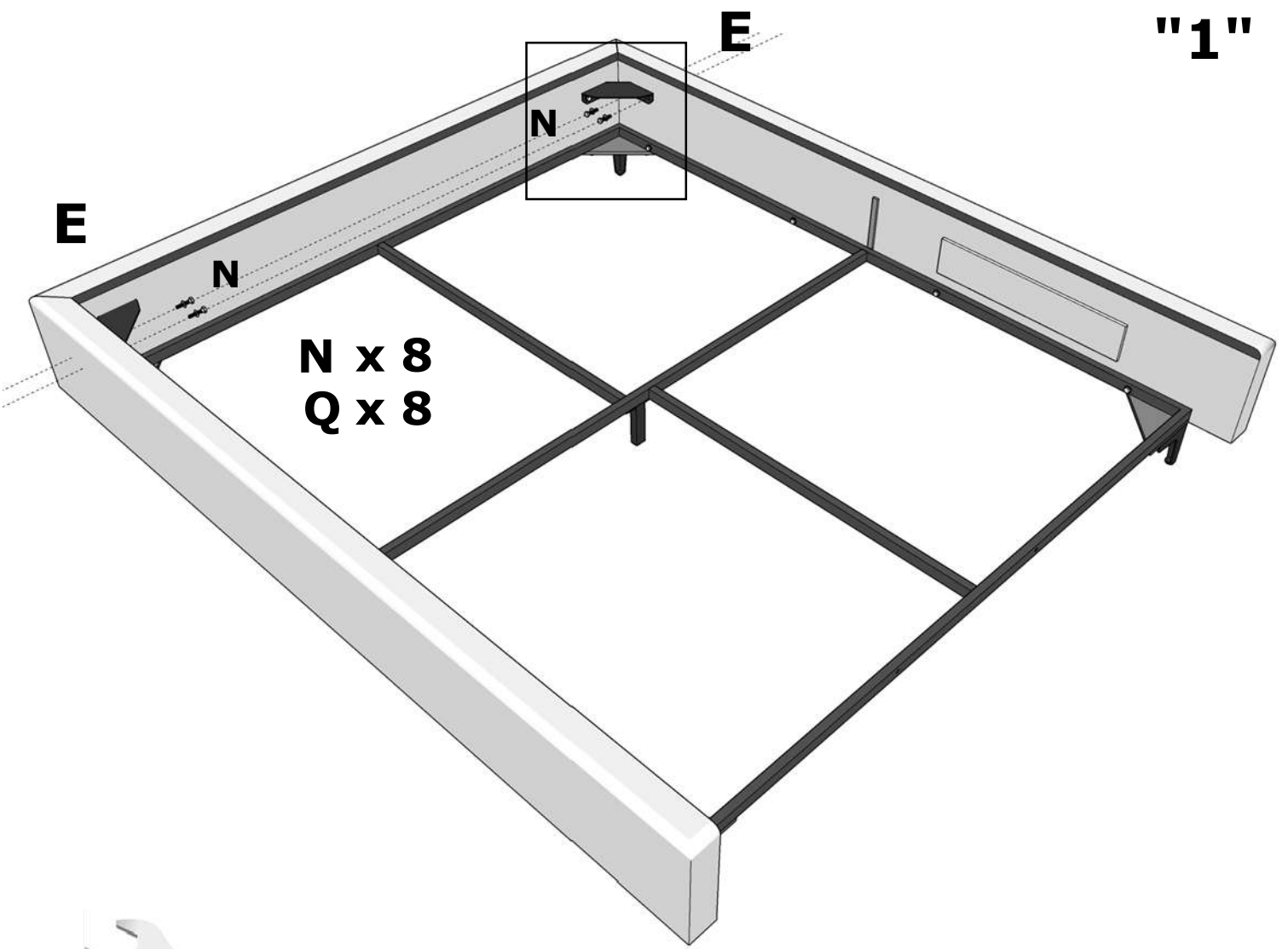
"2"

"1"

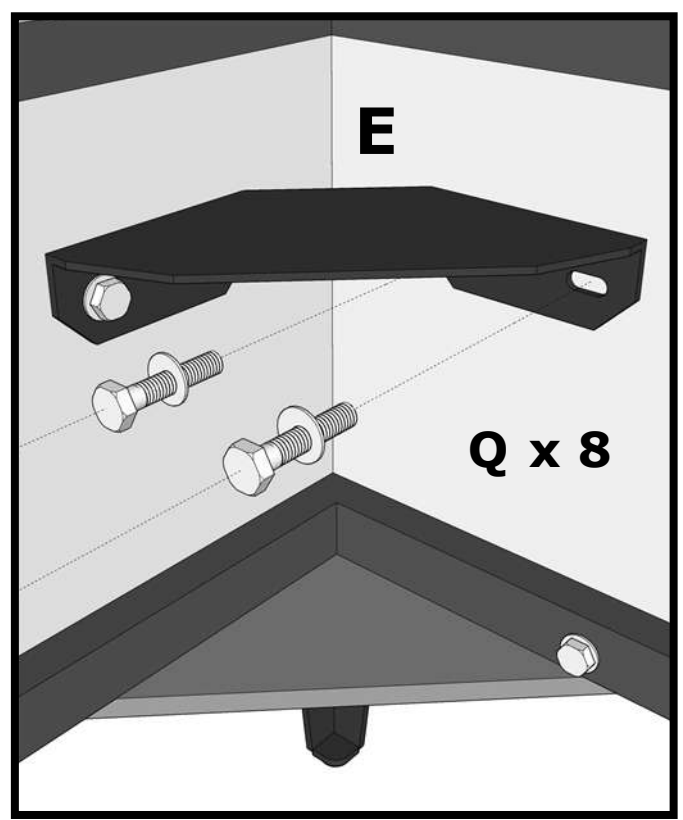


**M-M6x40-12**

"1"



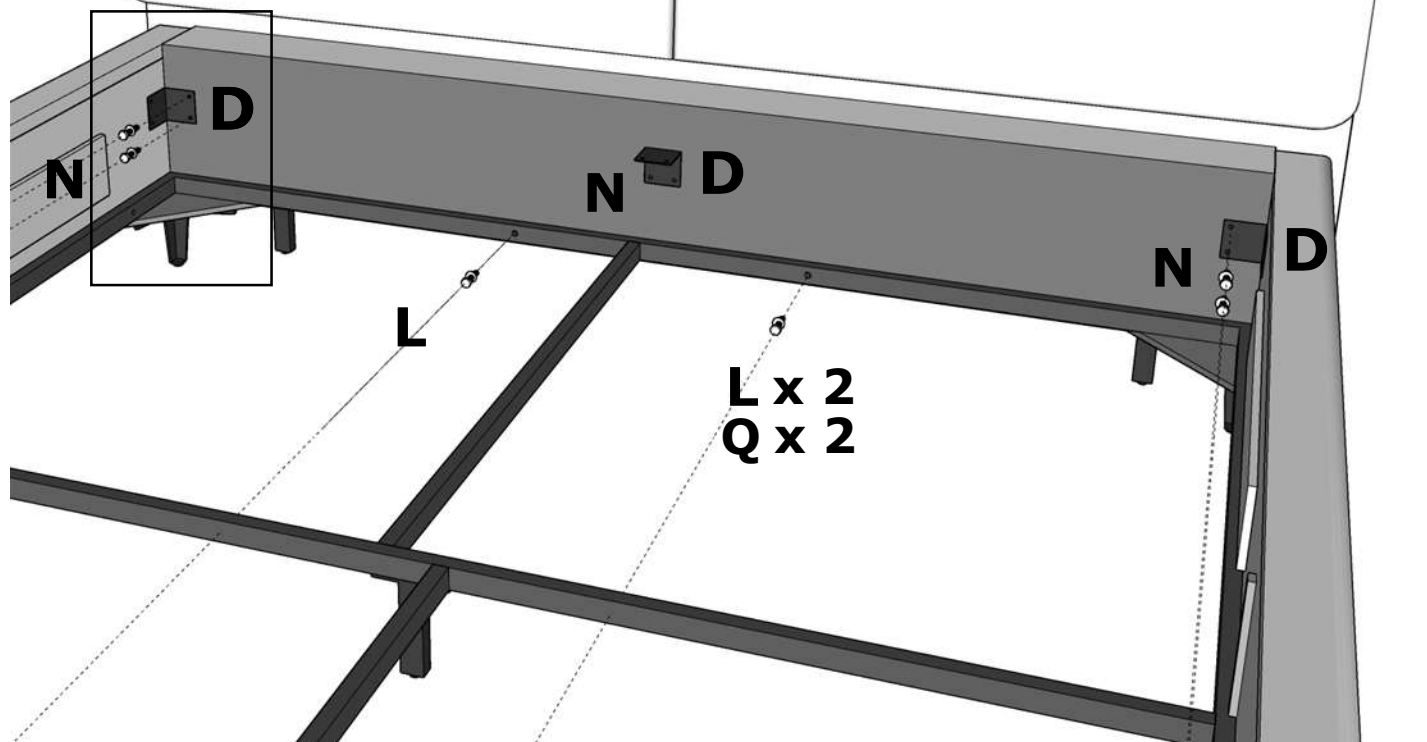
**N-M6x20-8**



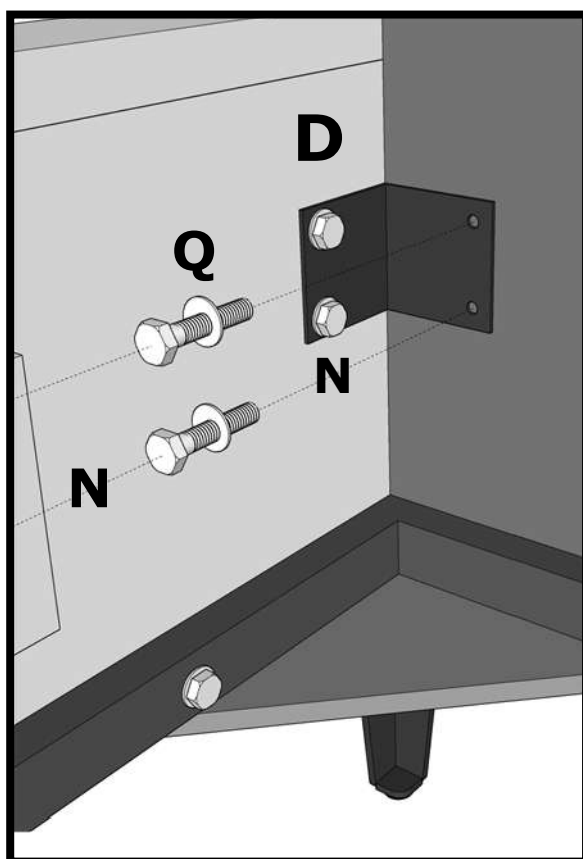


"1"

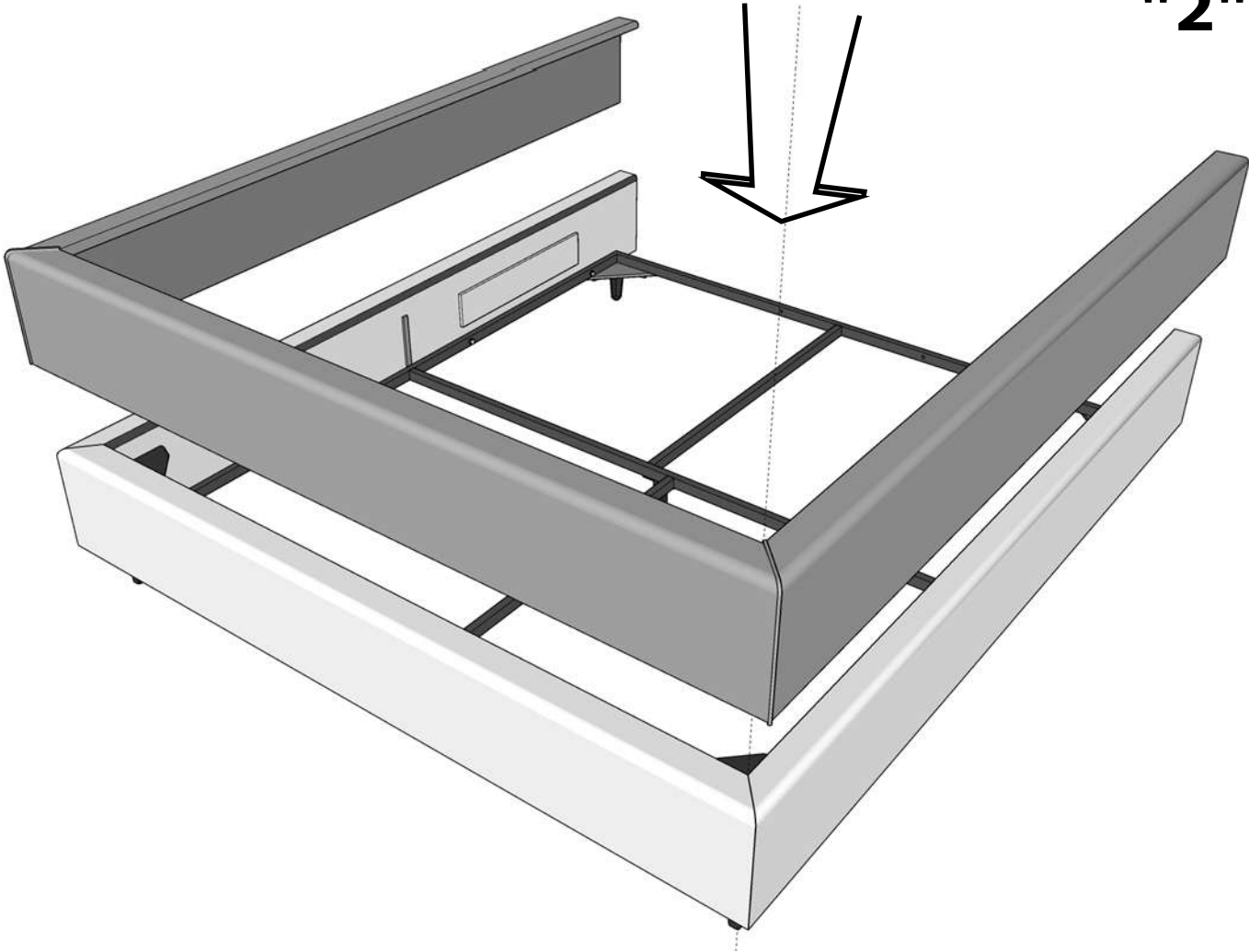
**N-M6x20-10**



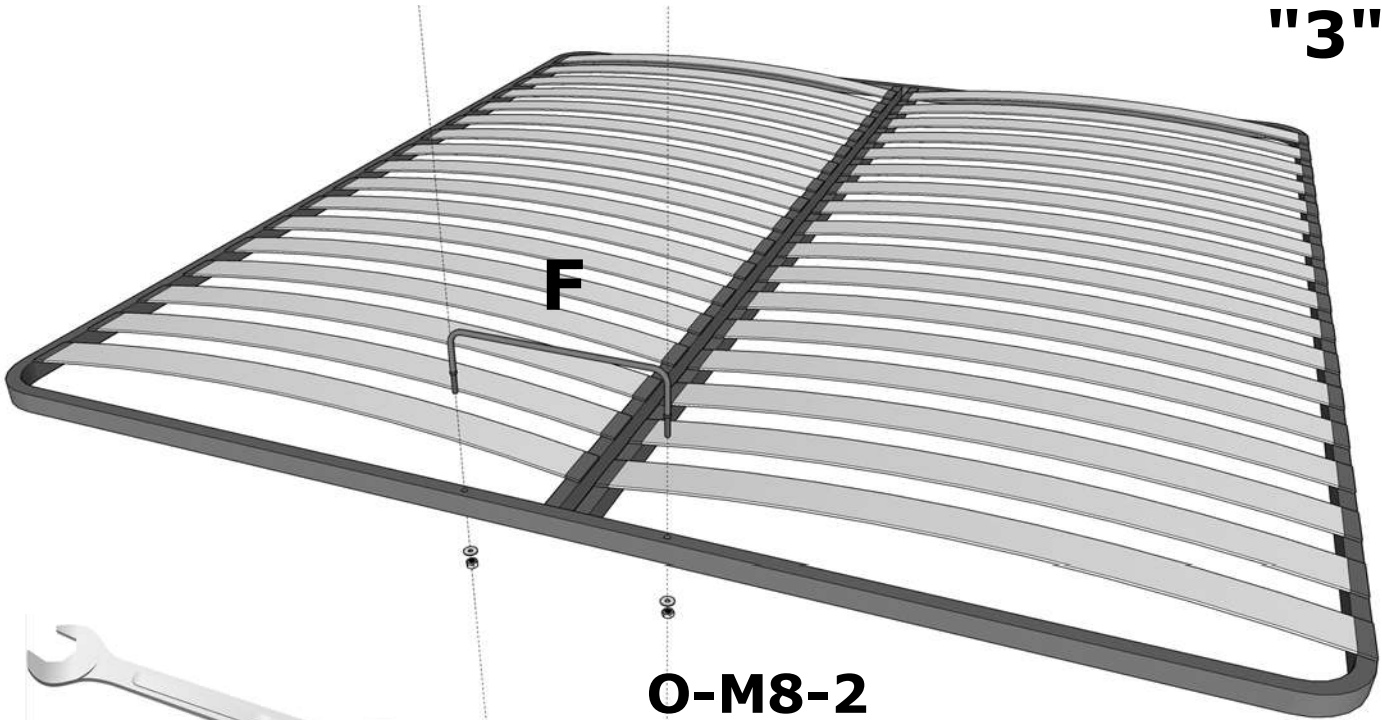
**N-M6x20-10**  
**Q-M6D18-10**



"2"



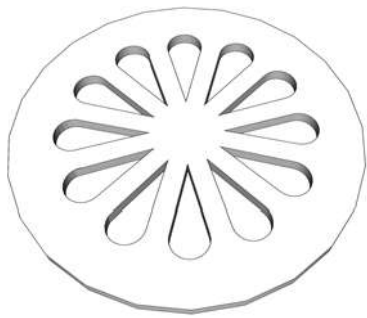
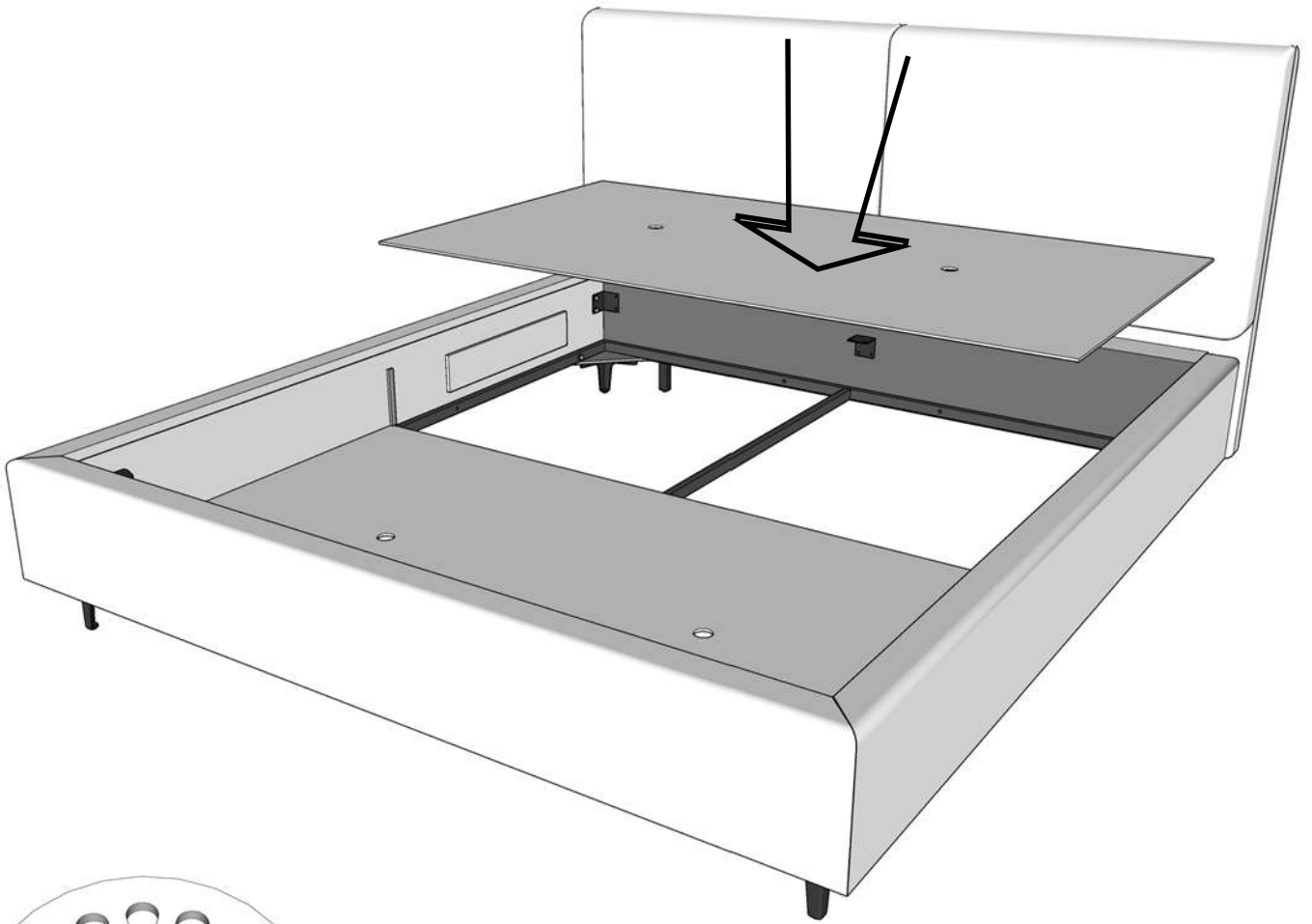
"3"



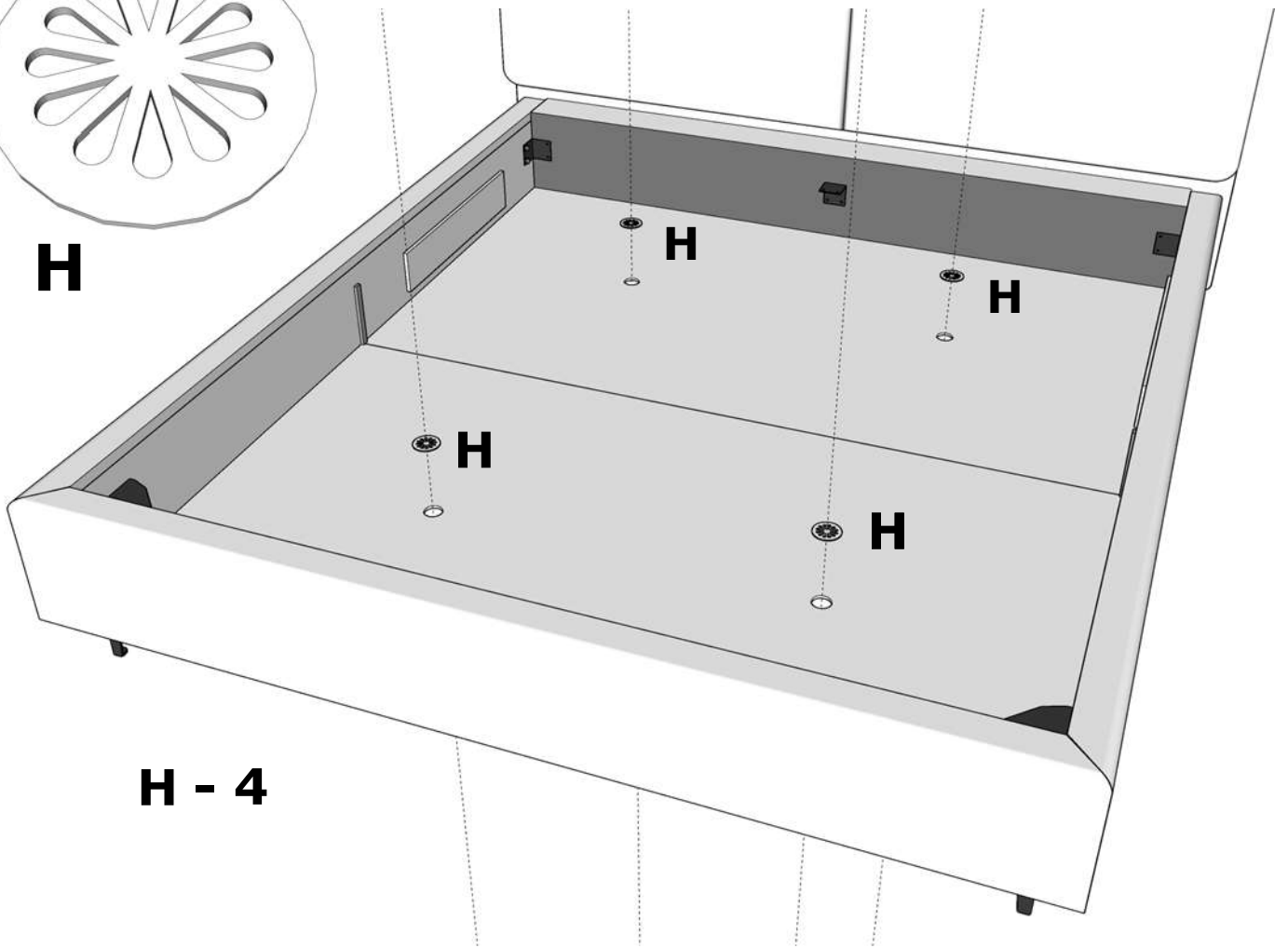
O-M8-2  
Q-M6D18-2



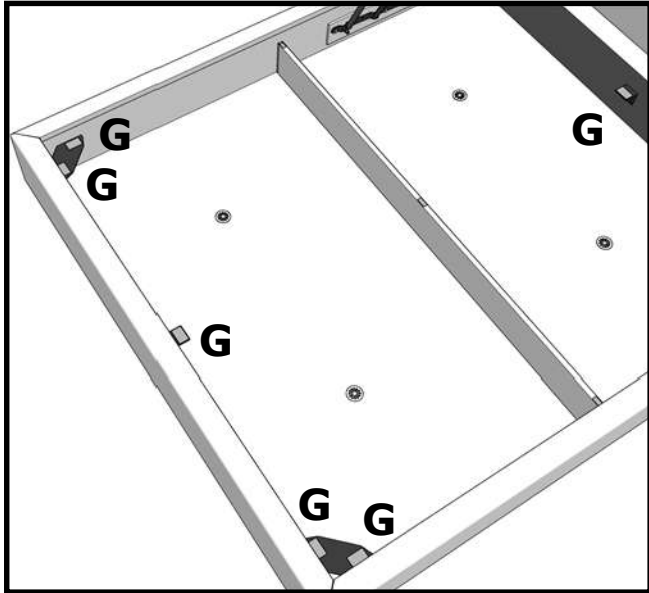
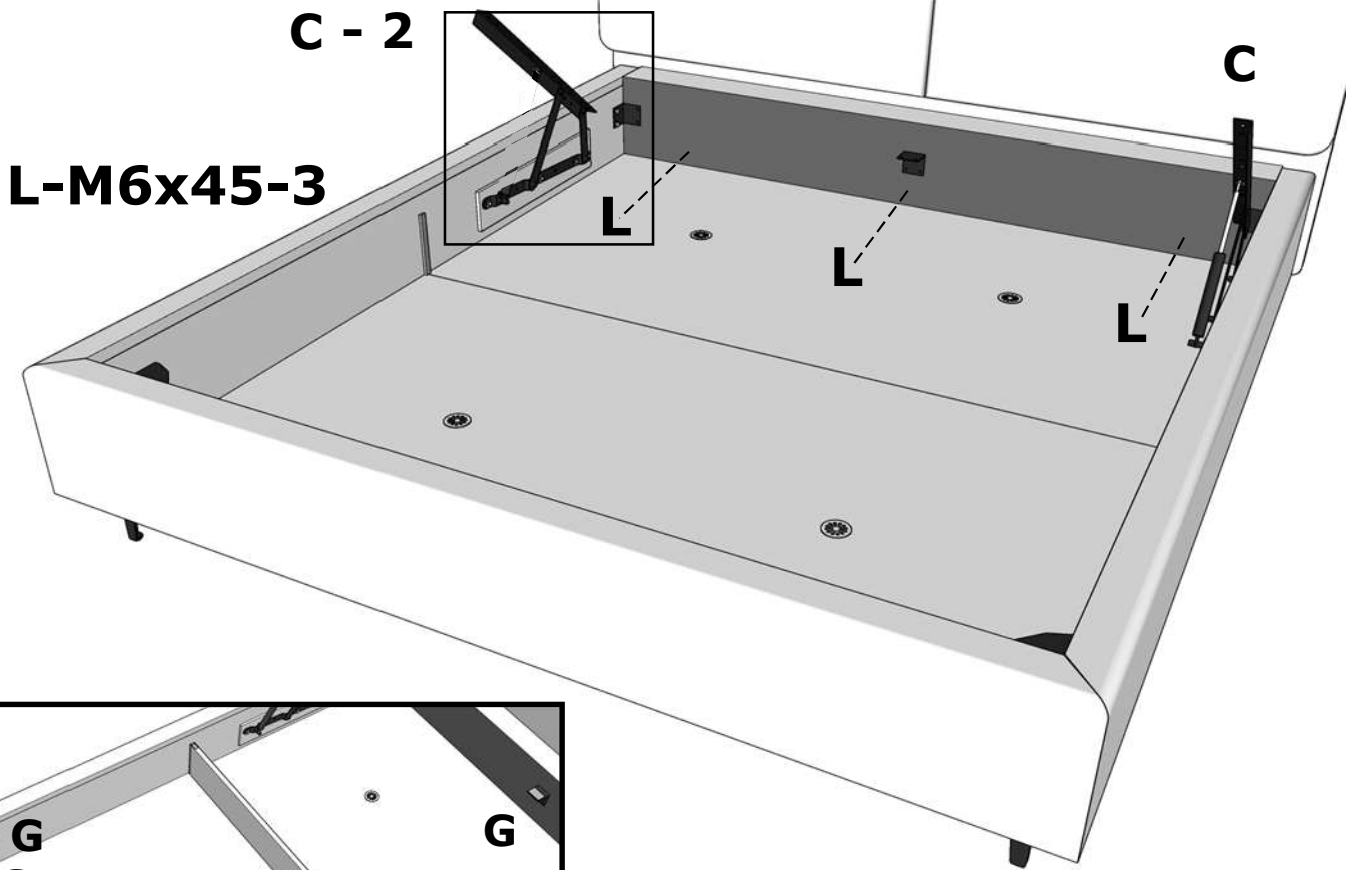




**H**

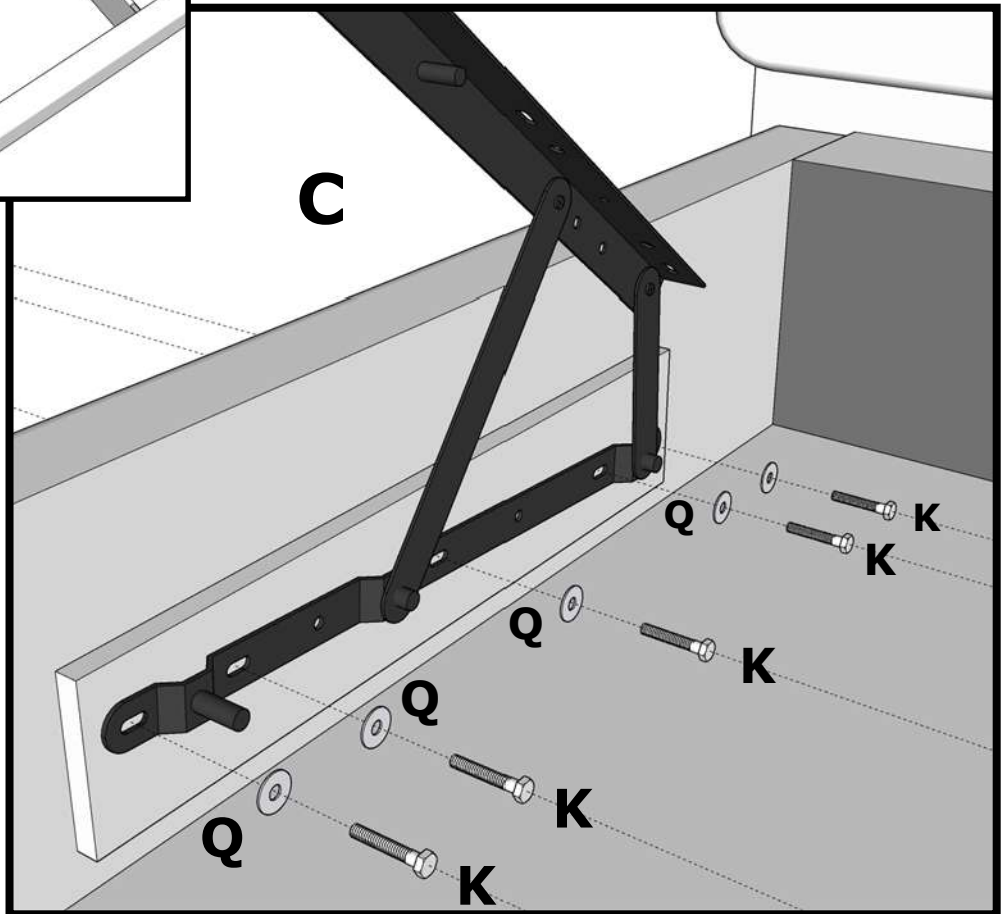


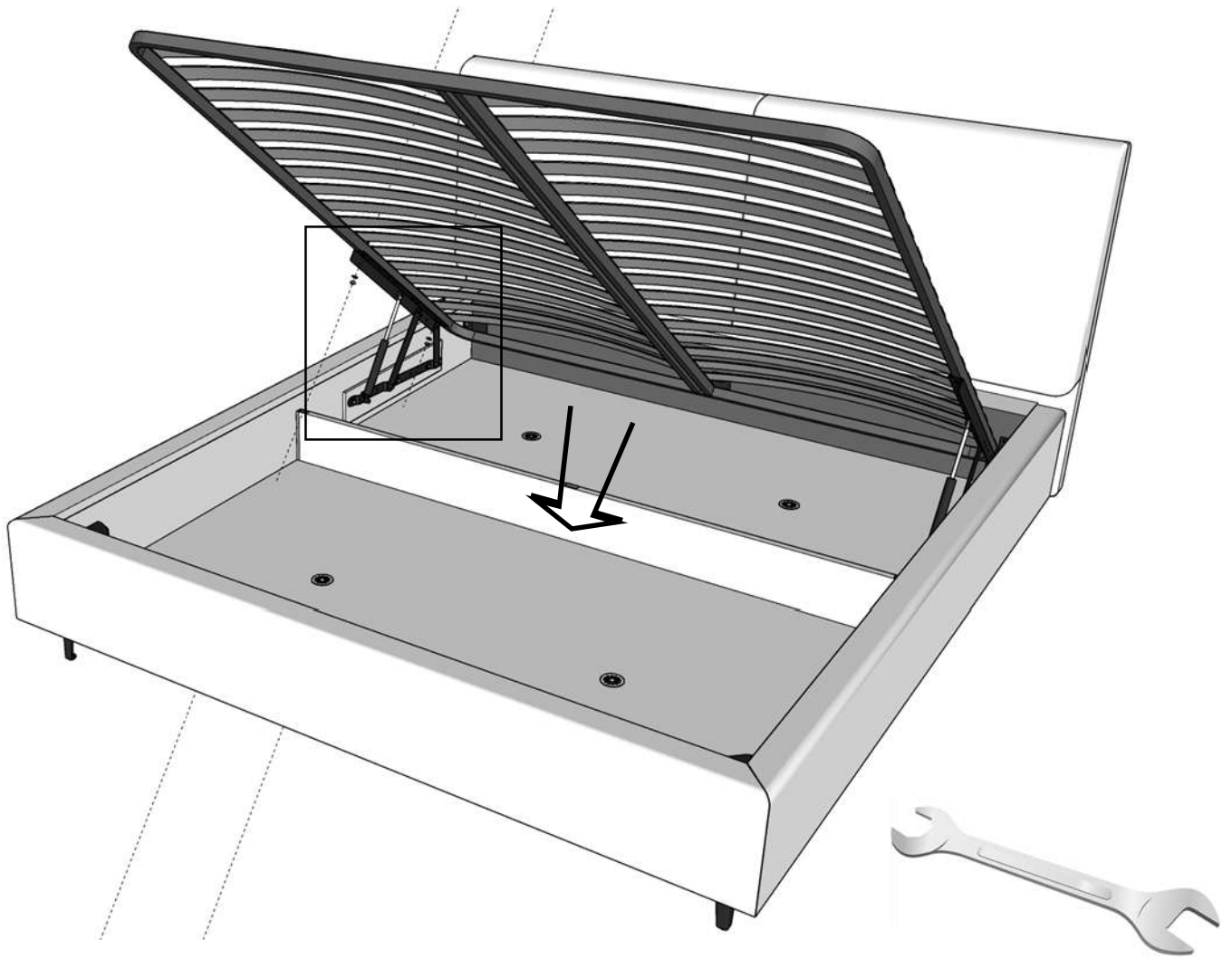
**H - 4**



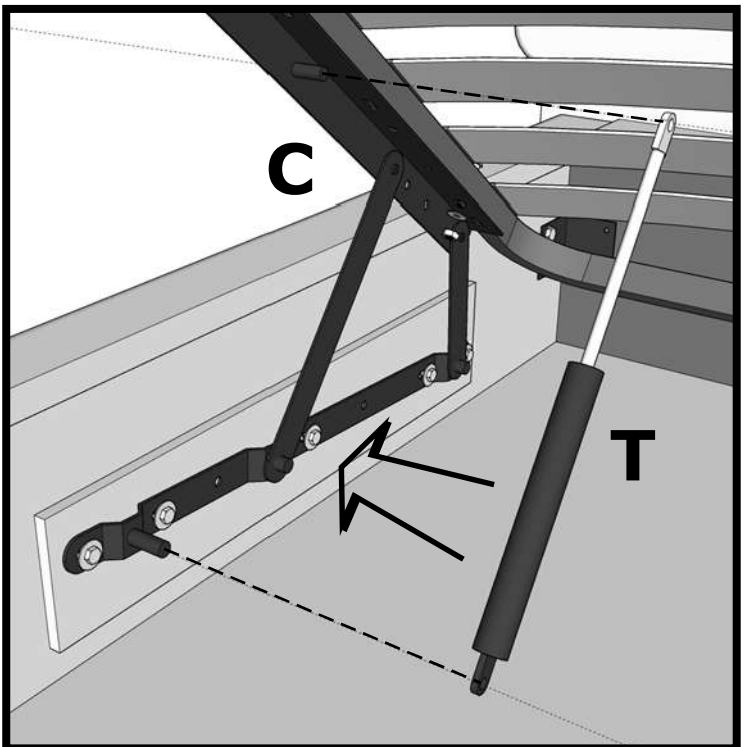
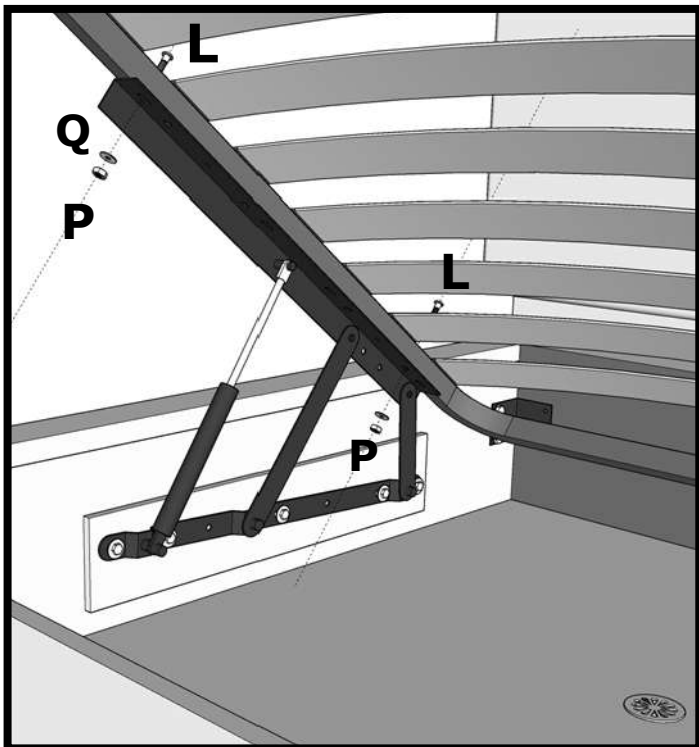
**G-55x35-6**

**K-M8x40-10**  
**Q-M6D18-10**





**L-M6x45-4**



**Q-M6D18-4**  
**P-M6-4**

