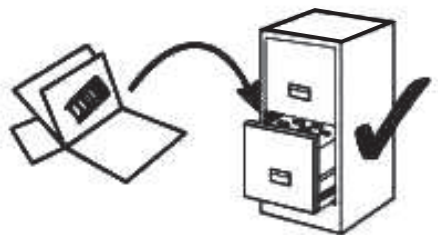
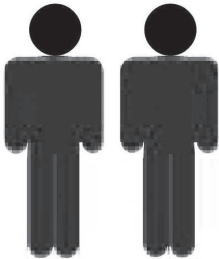
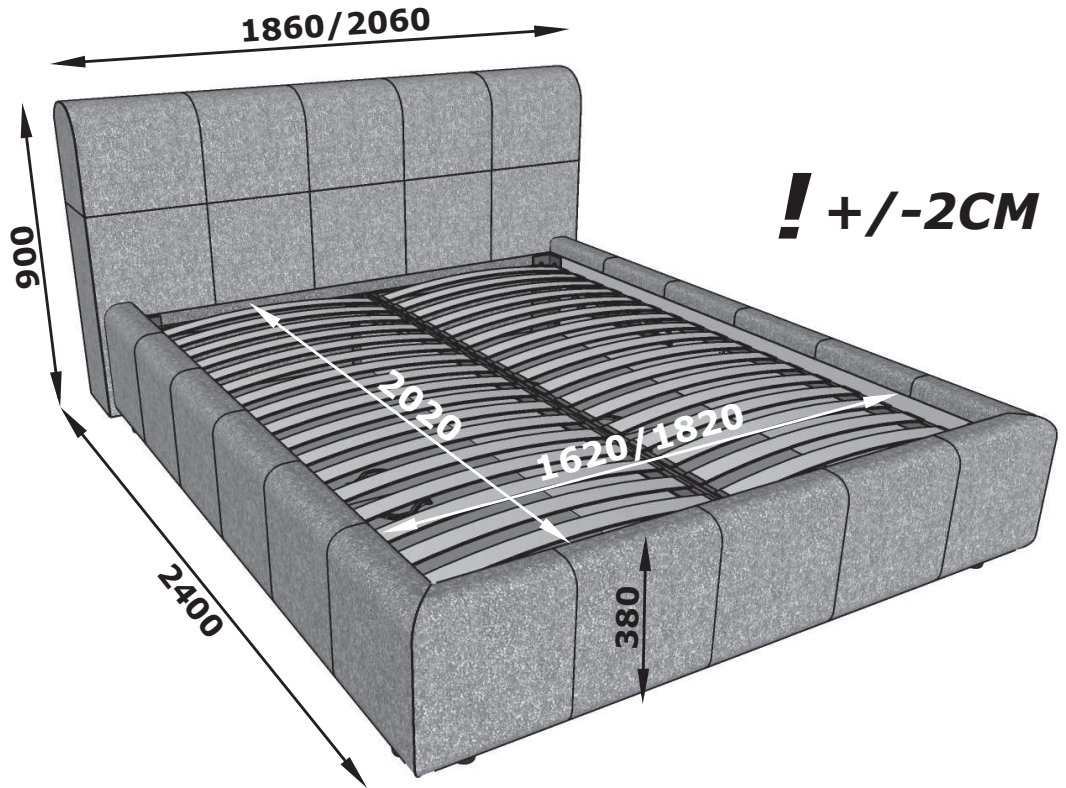
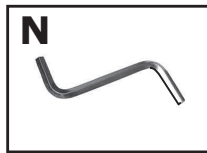
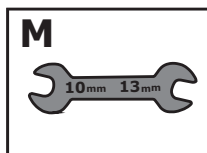


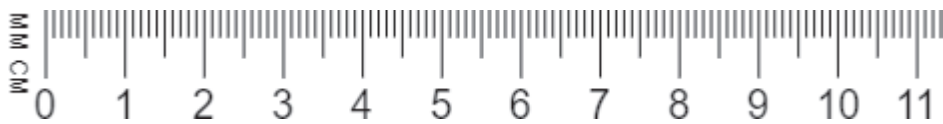
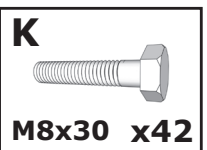
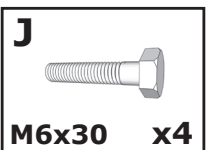
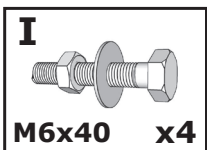
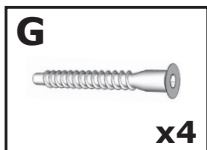
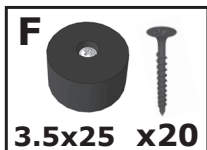
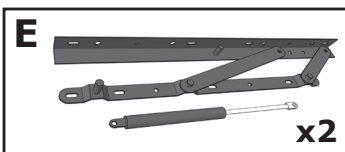
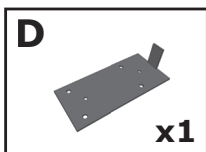
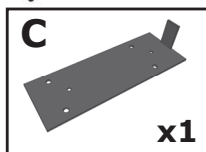
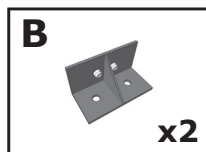
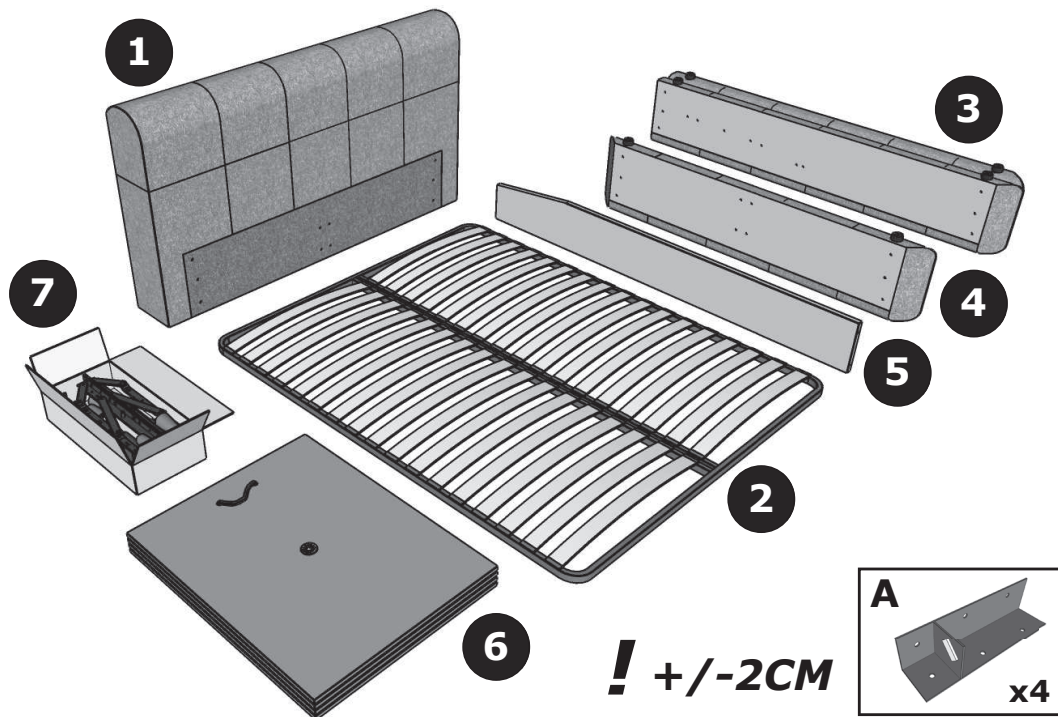


Jenny

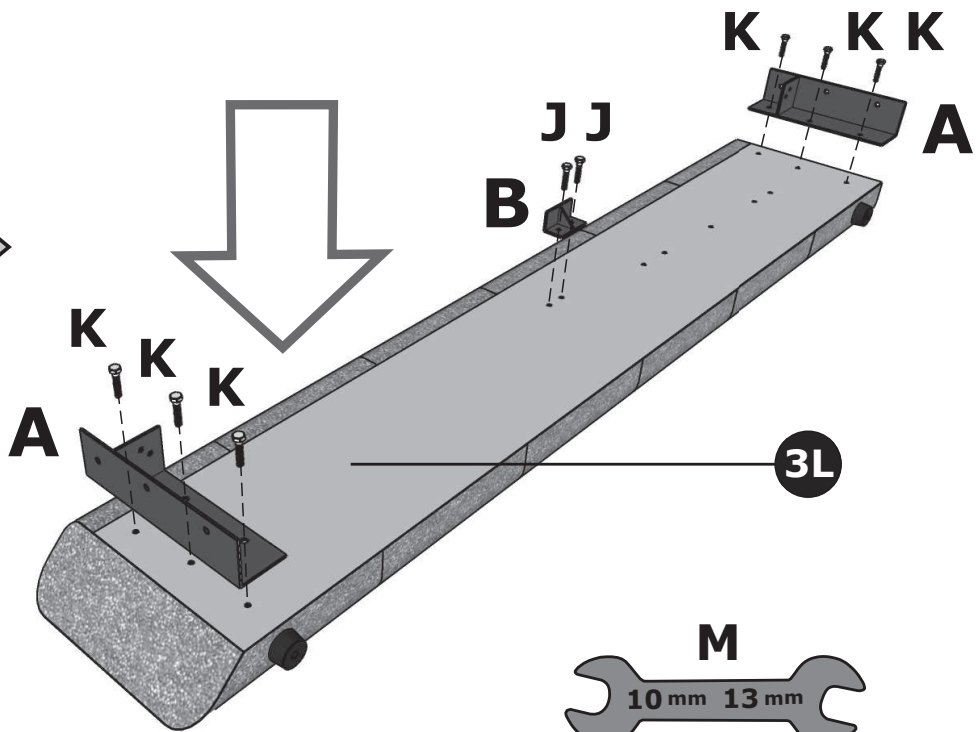




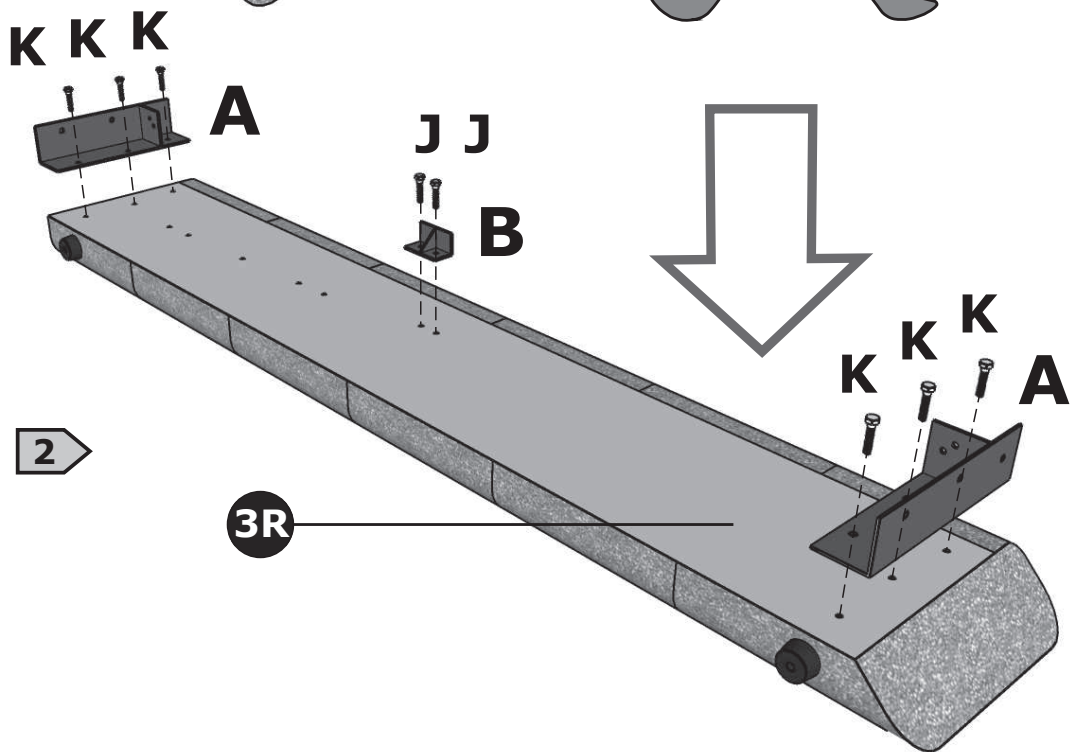
	L	B	H	PCS
1	1860/2060	280	900	x1
2	1985	1580/1780	70	x1
3	2120	200	350	x1
4	1820/2020	100	350	x1
5	2020	245	25	x1
6	1010	795/895	100	x1
7	660	300	140	x1



1



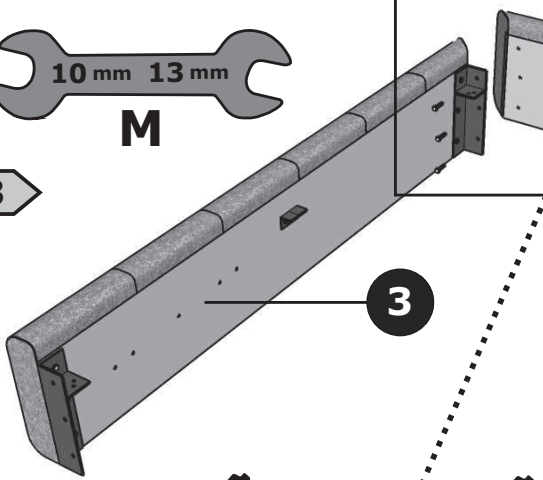
2



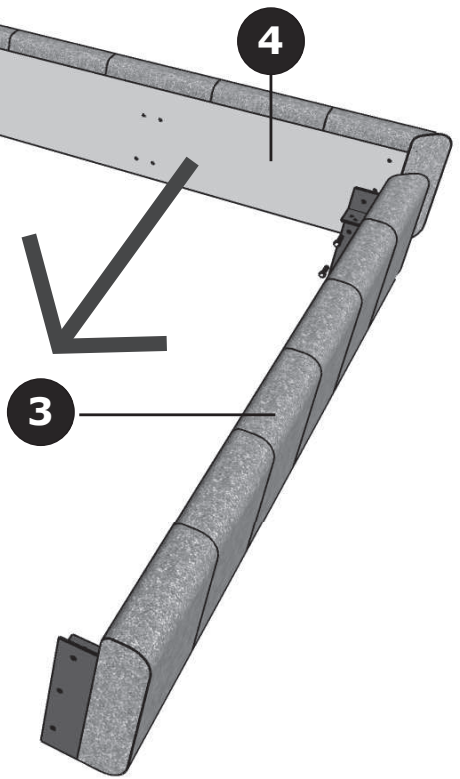


M

3

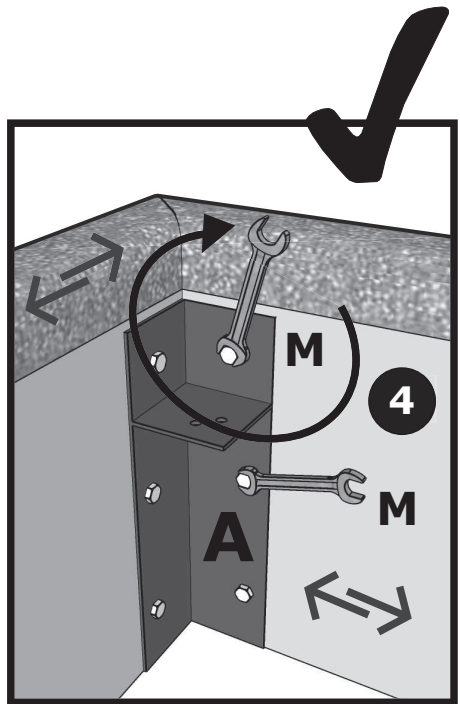
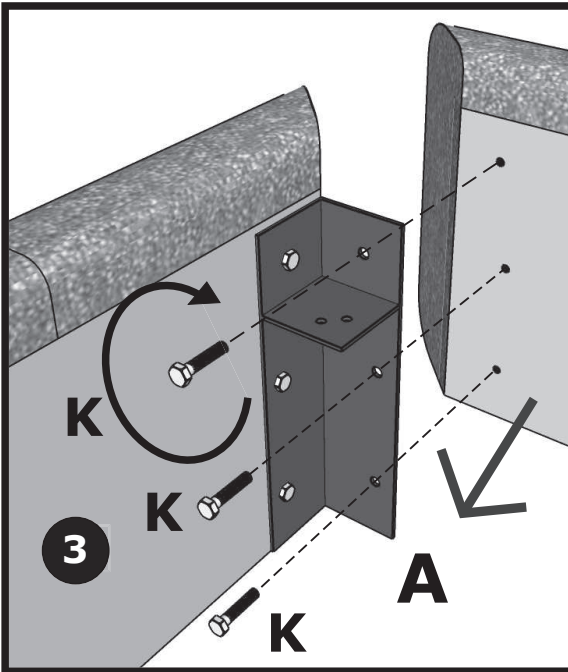
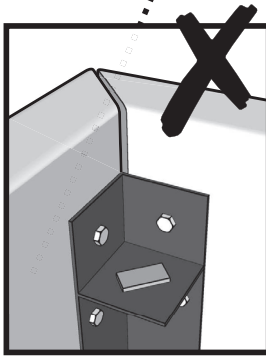
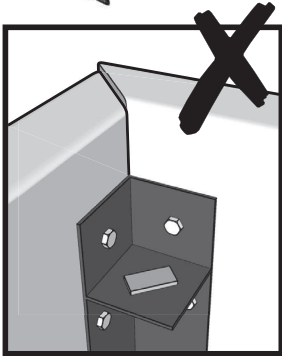


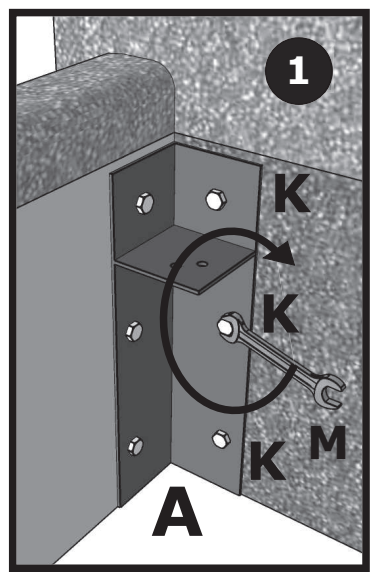
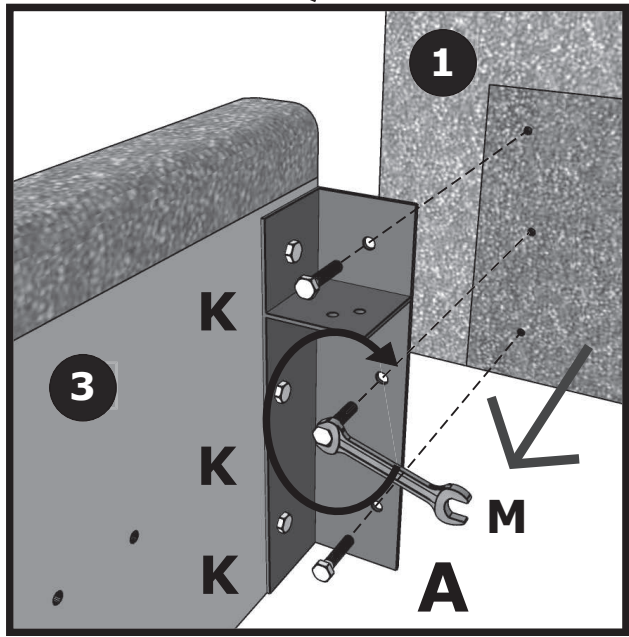
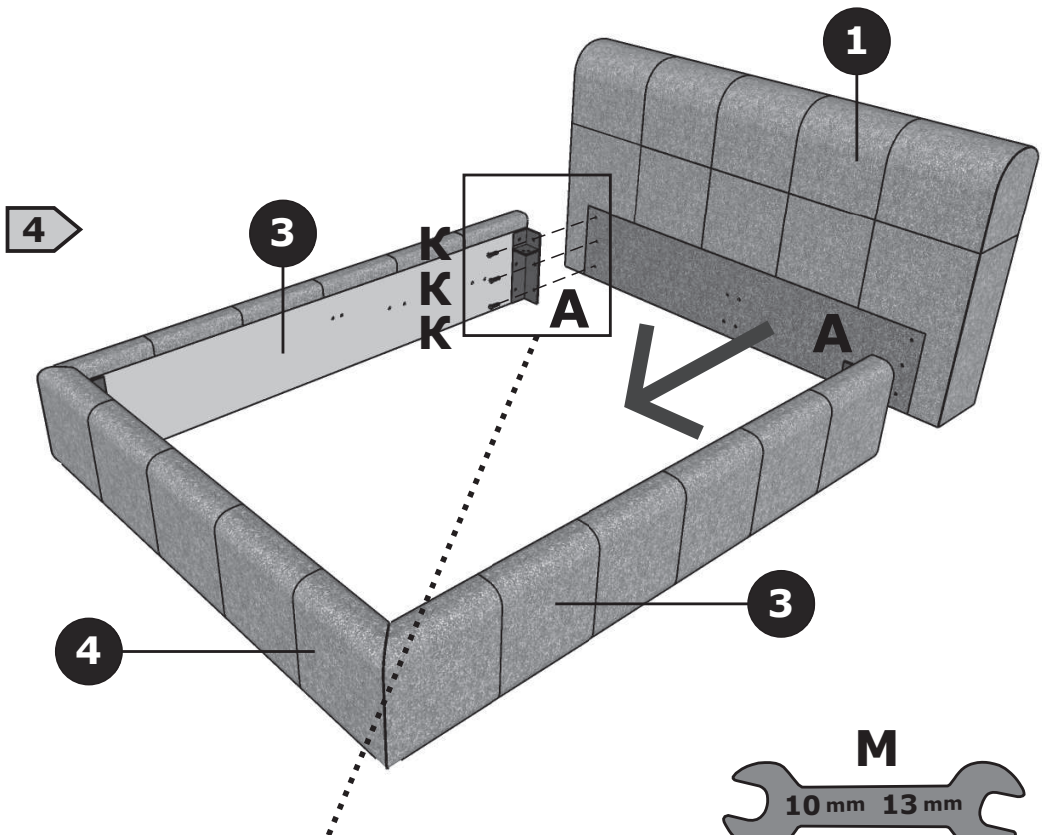
3

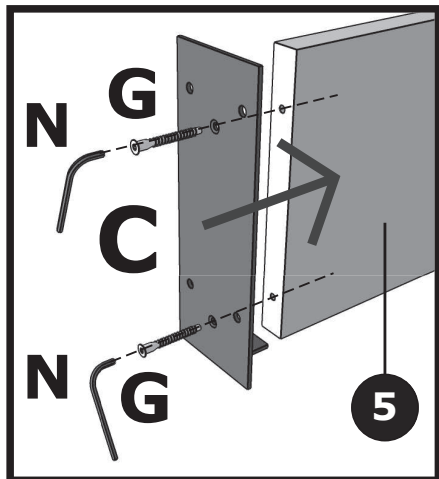


4

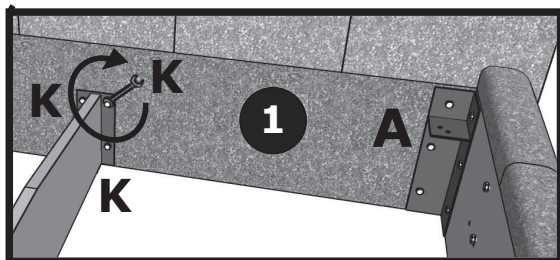
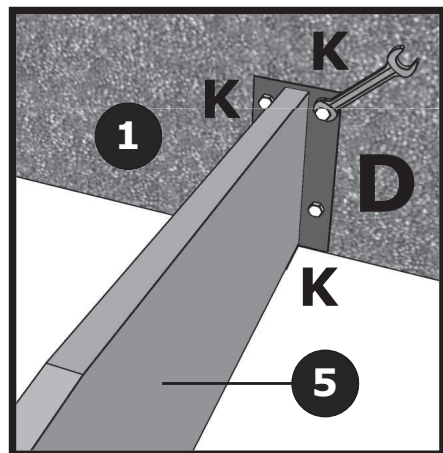
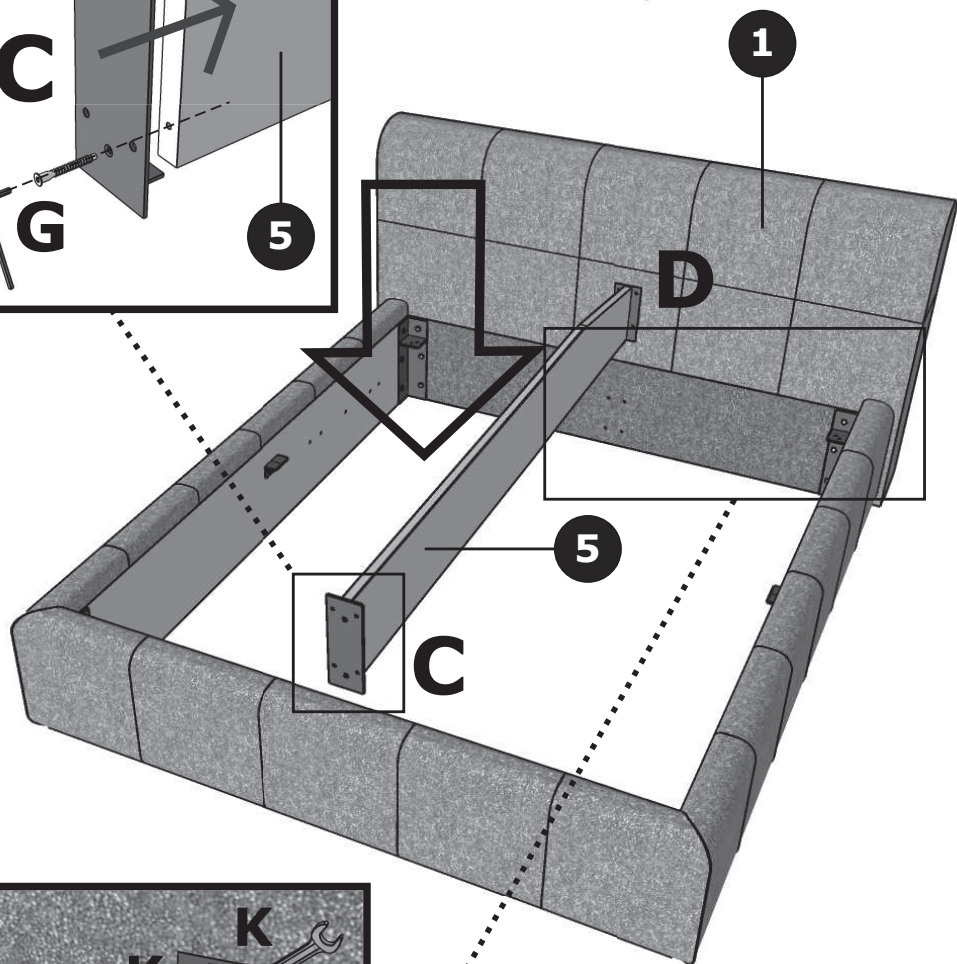
3



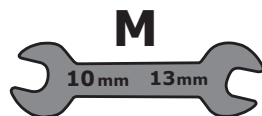
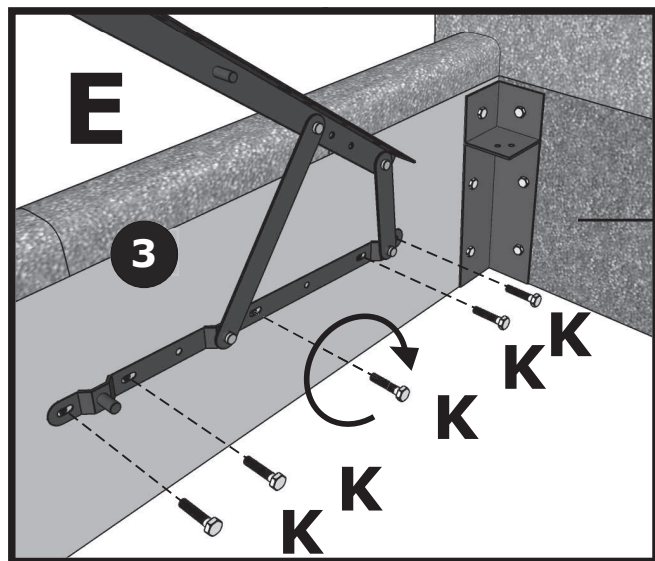
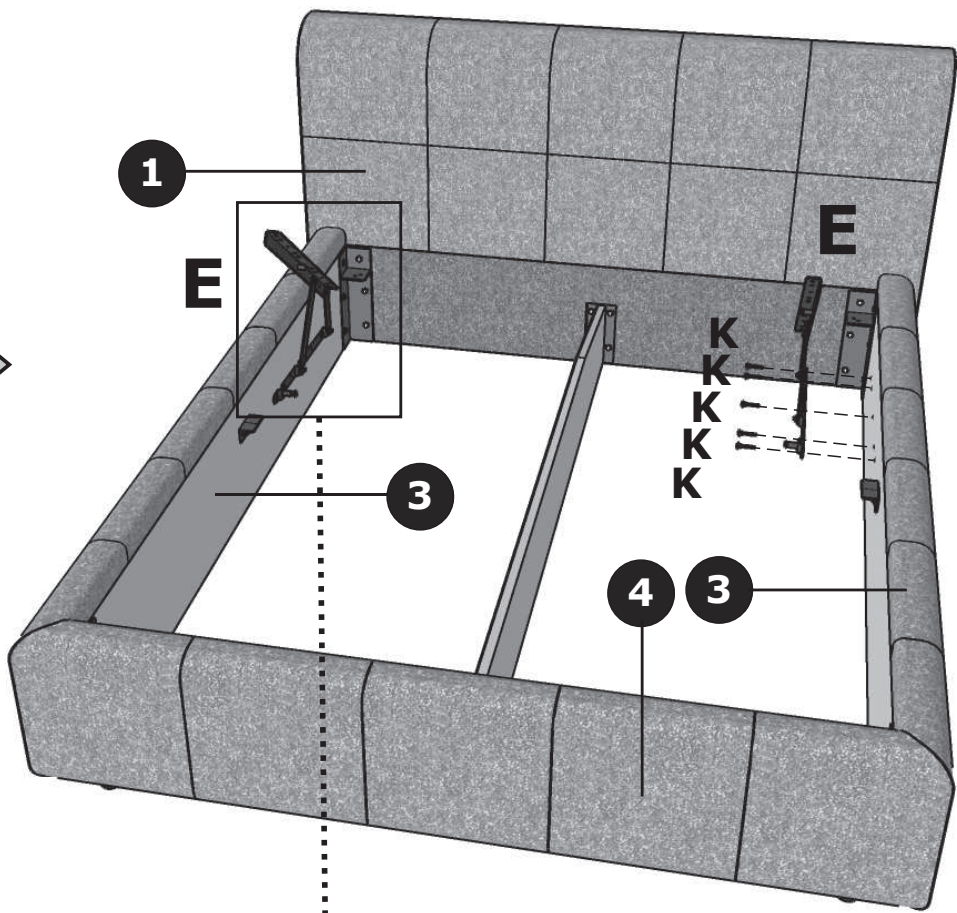


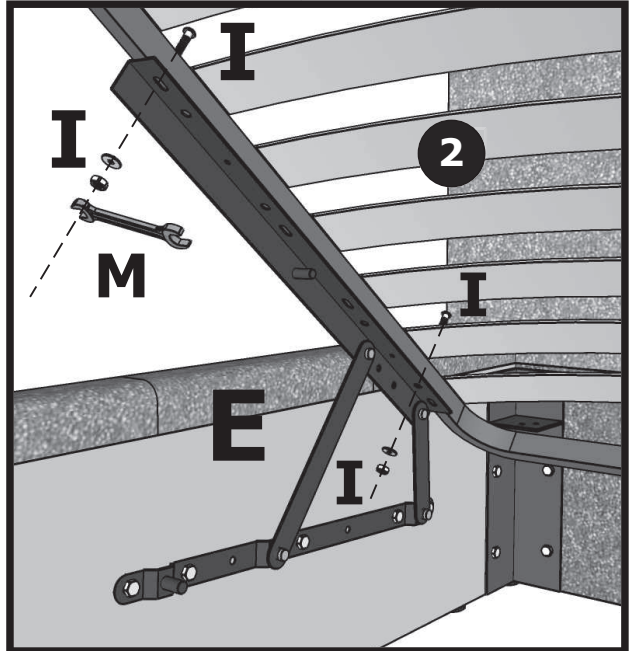
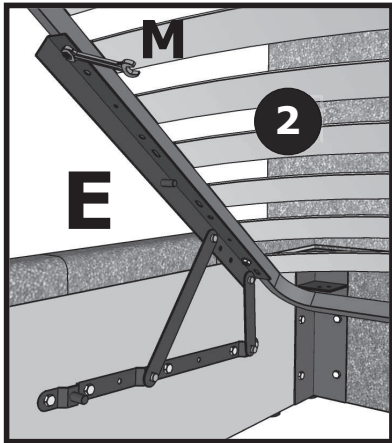
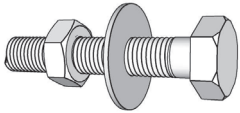
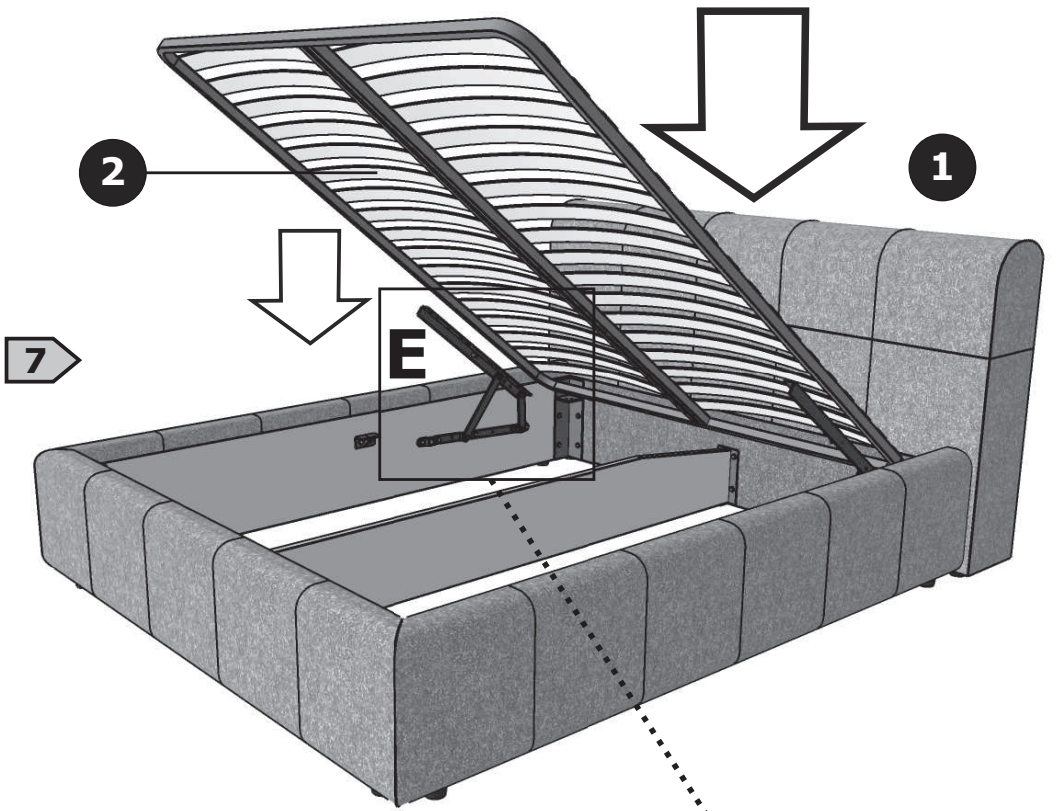


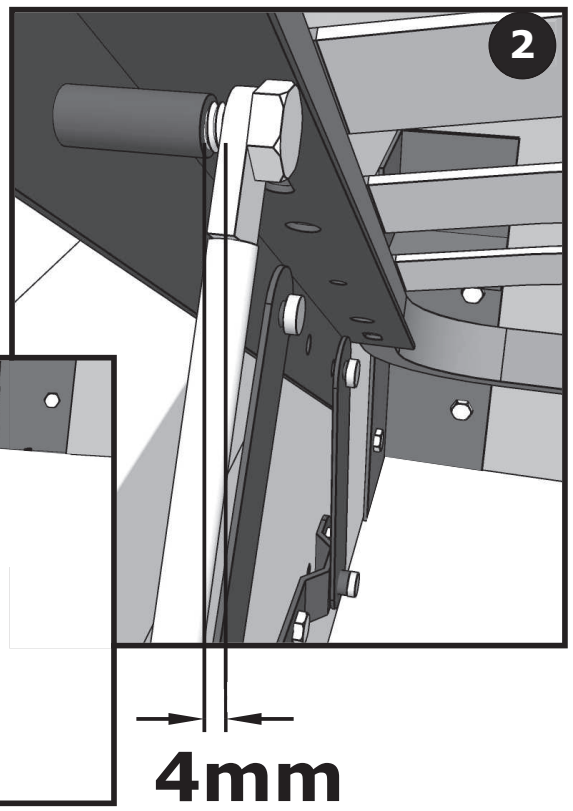
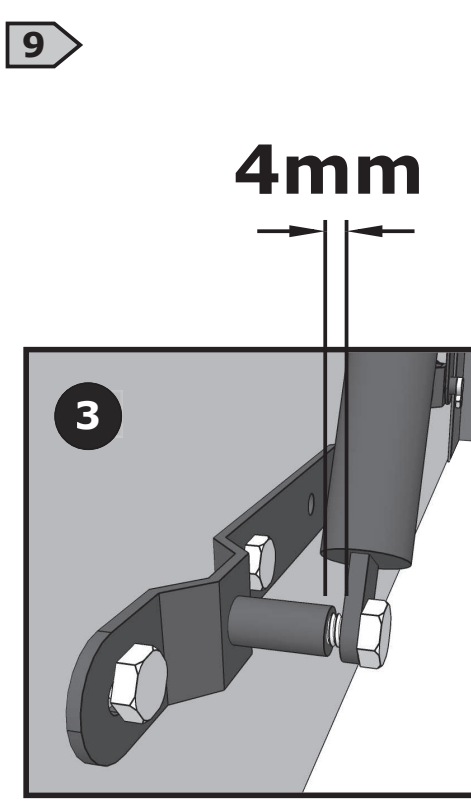
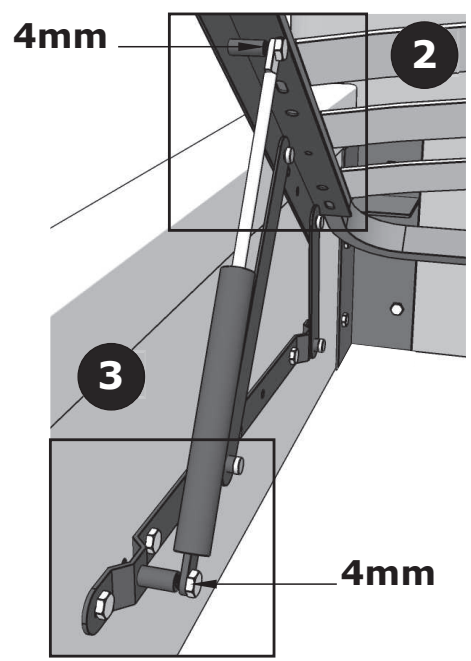
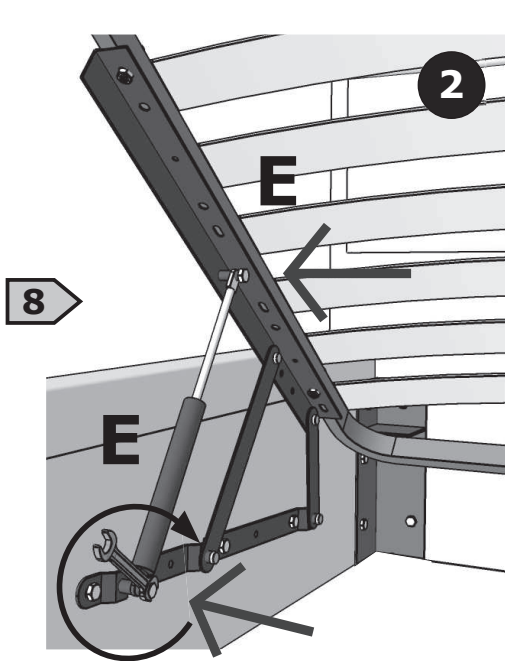
5

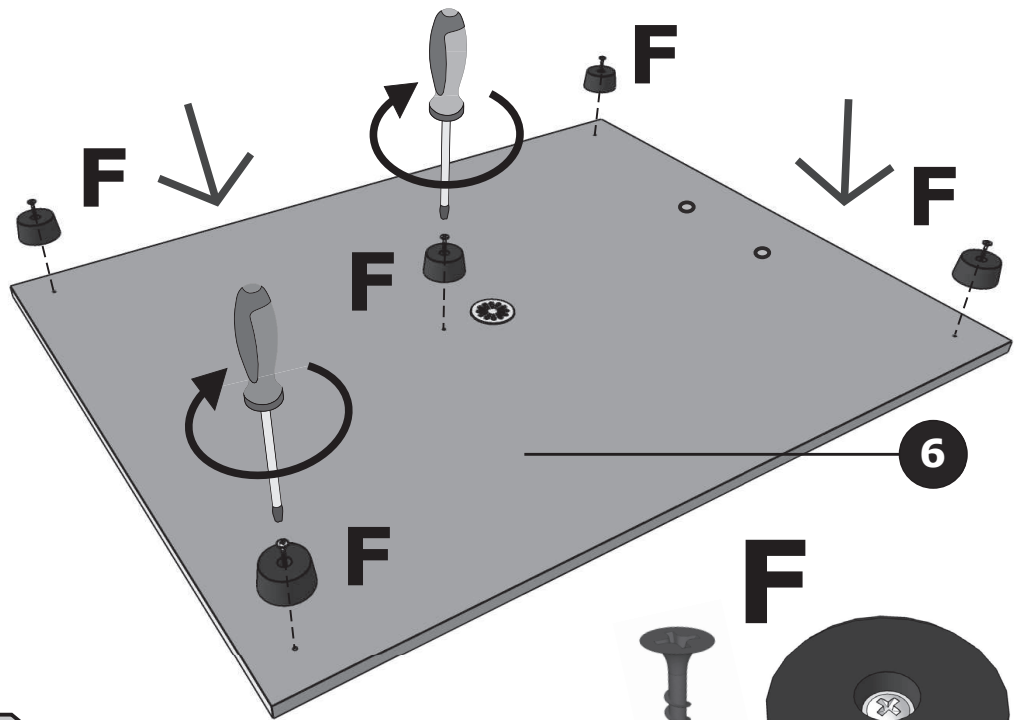


6



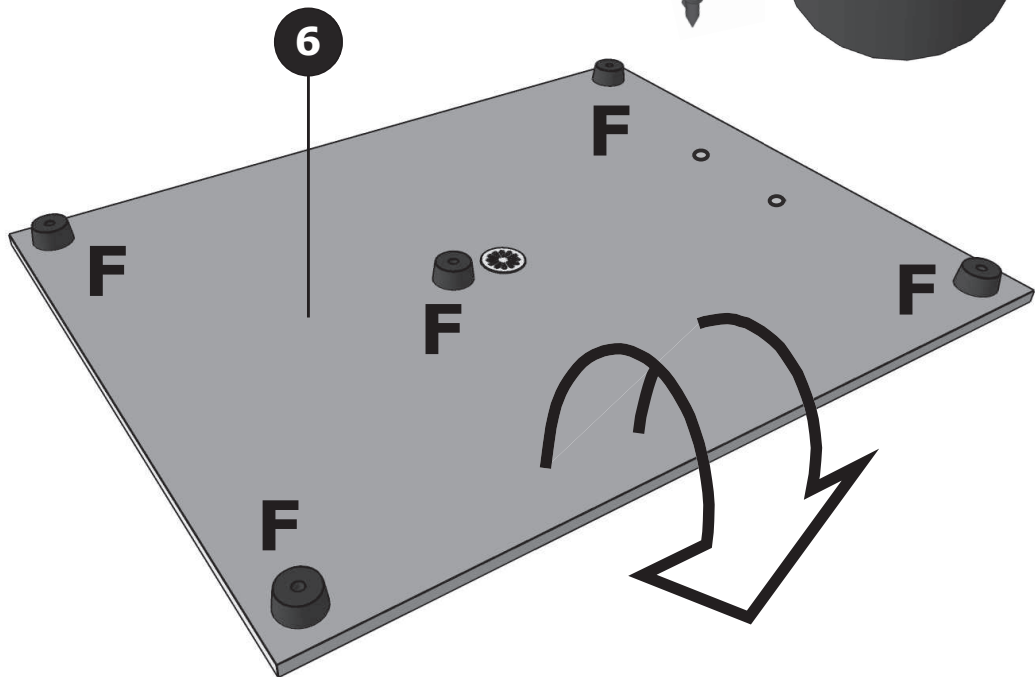






10

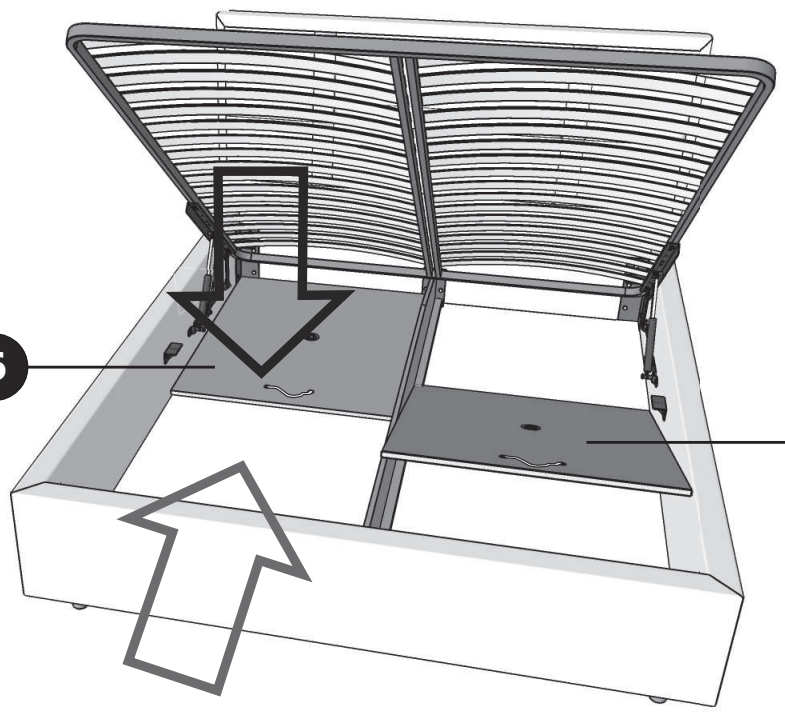
PH2



11

6

6



11

6

6

6

6

