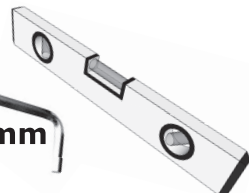
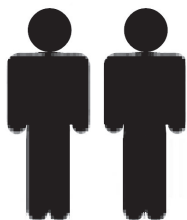
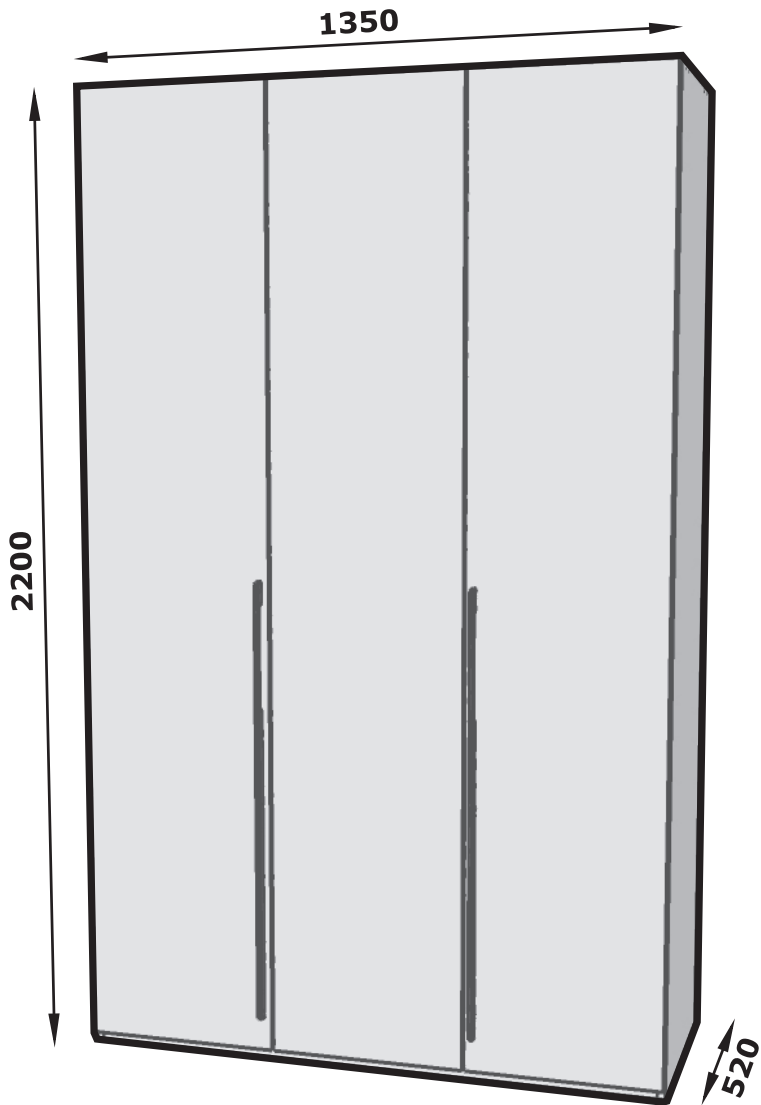
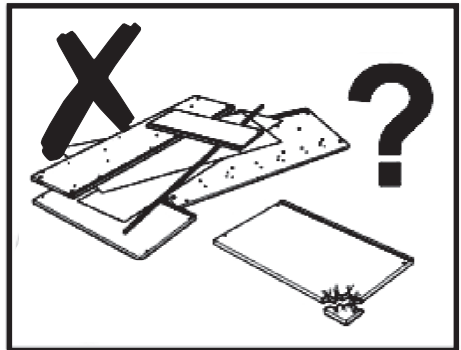
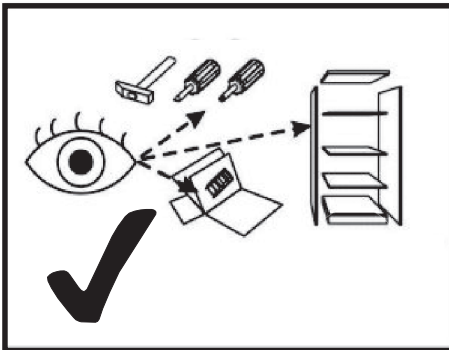
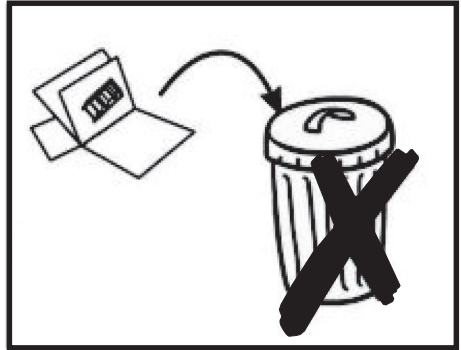
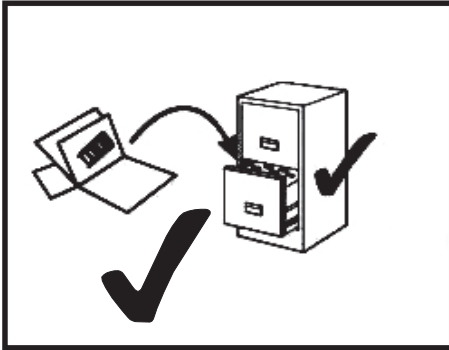
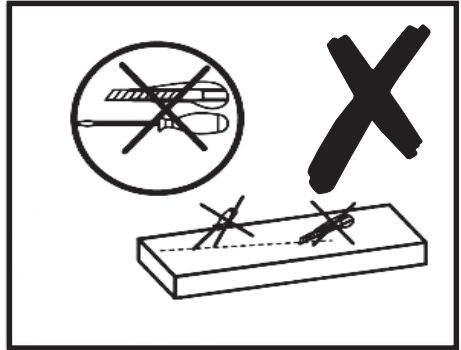
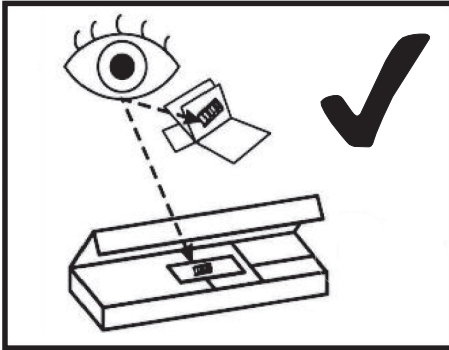
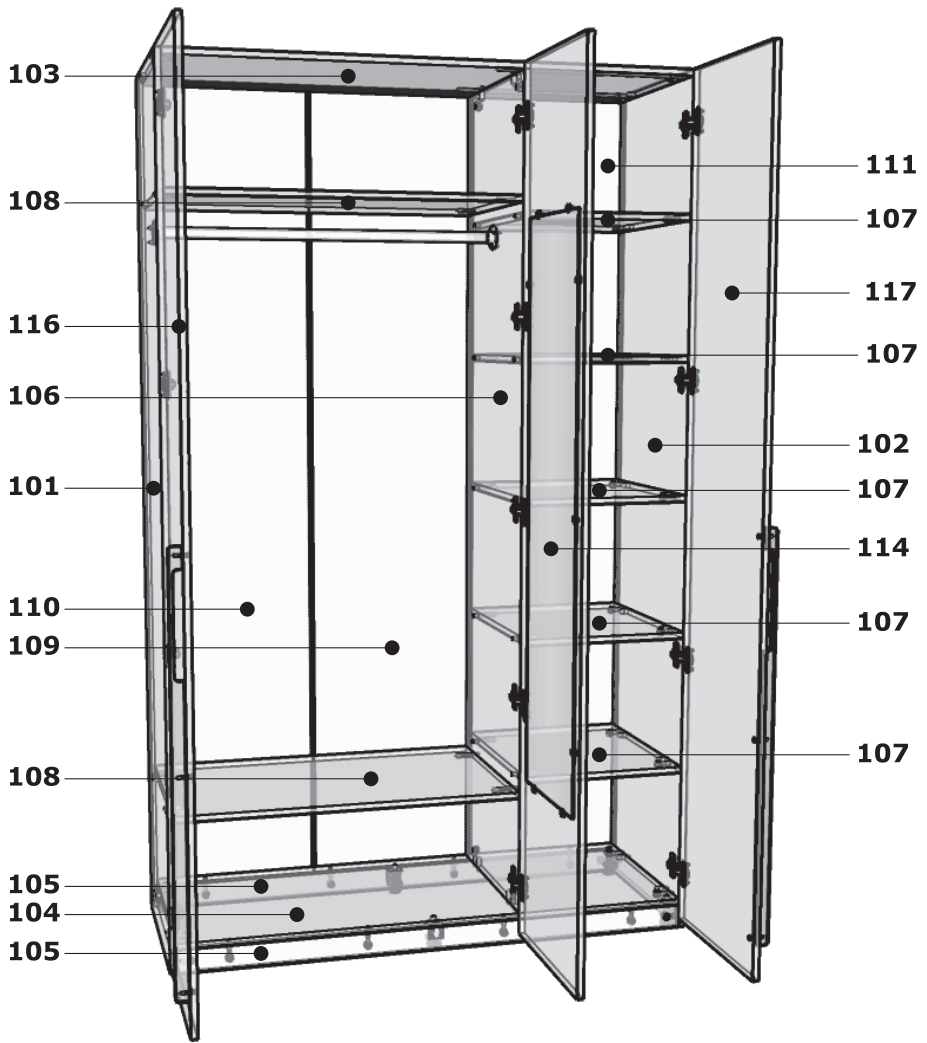


CUPBOARD 3 DOORS "SELEN"

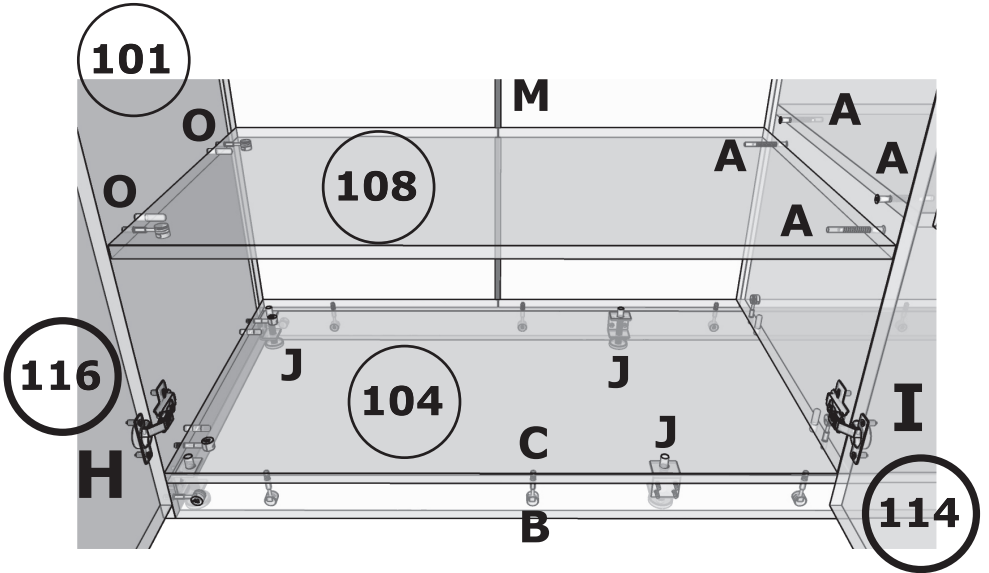
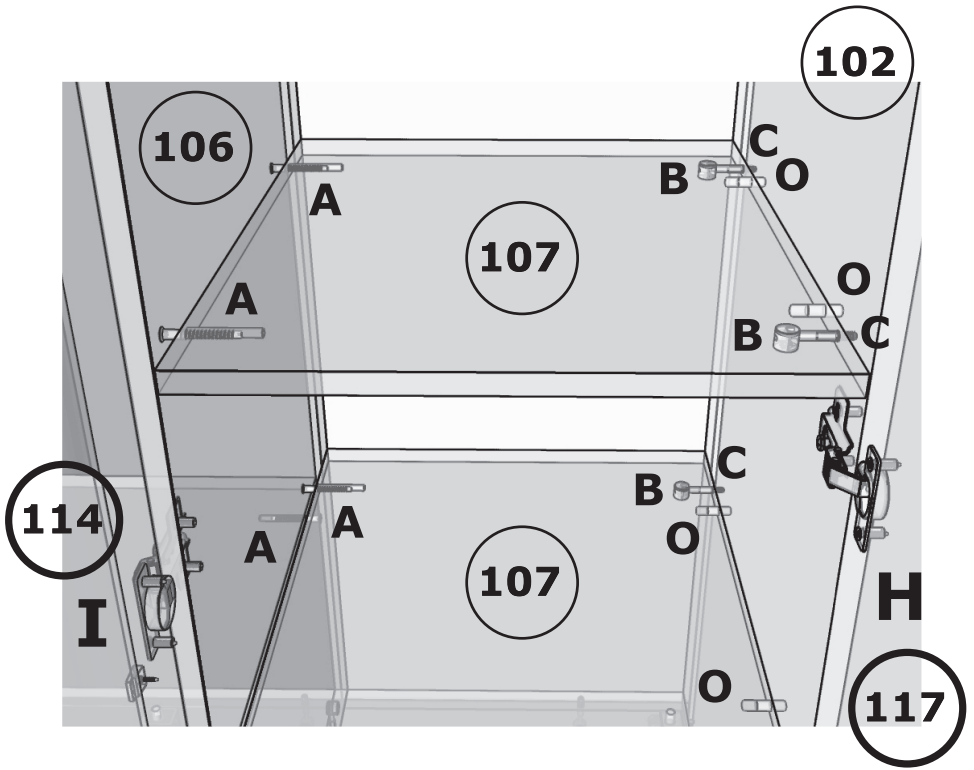








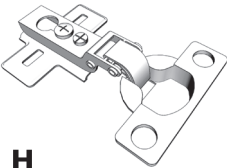
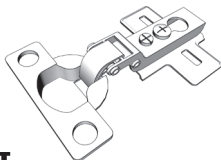
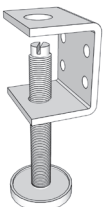
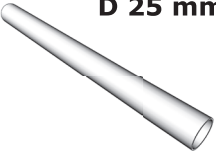


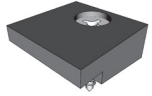




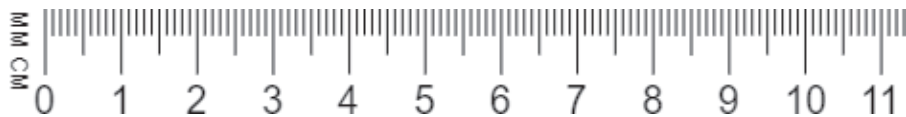


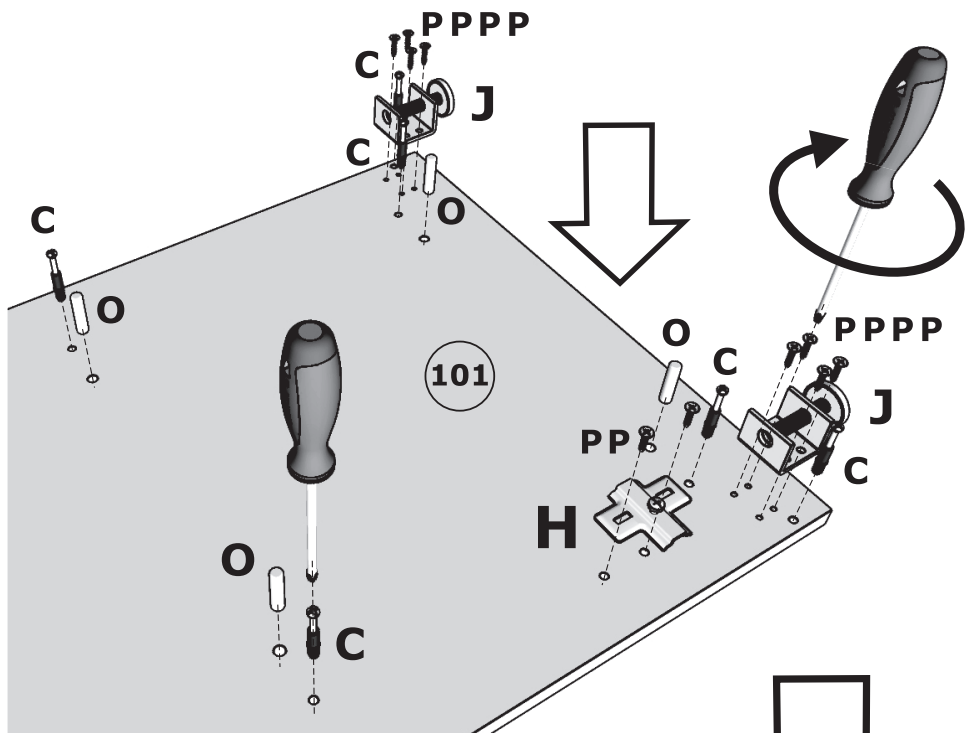
105	60	1318	2
104	1318	499	1
103	1318	502	1
102	2200	502	1
101	2200	502	1
106	2108	499	1
117	2177	445	1

116	2177	445	1
114	2177	445	1
108	876	498	2
107	426	498	5
109	2134	449	1
110	2134	443	1
111	2134	443	1

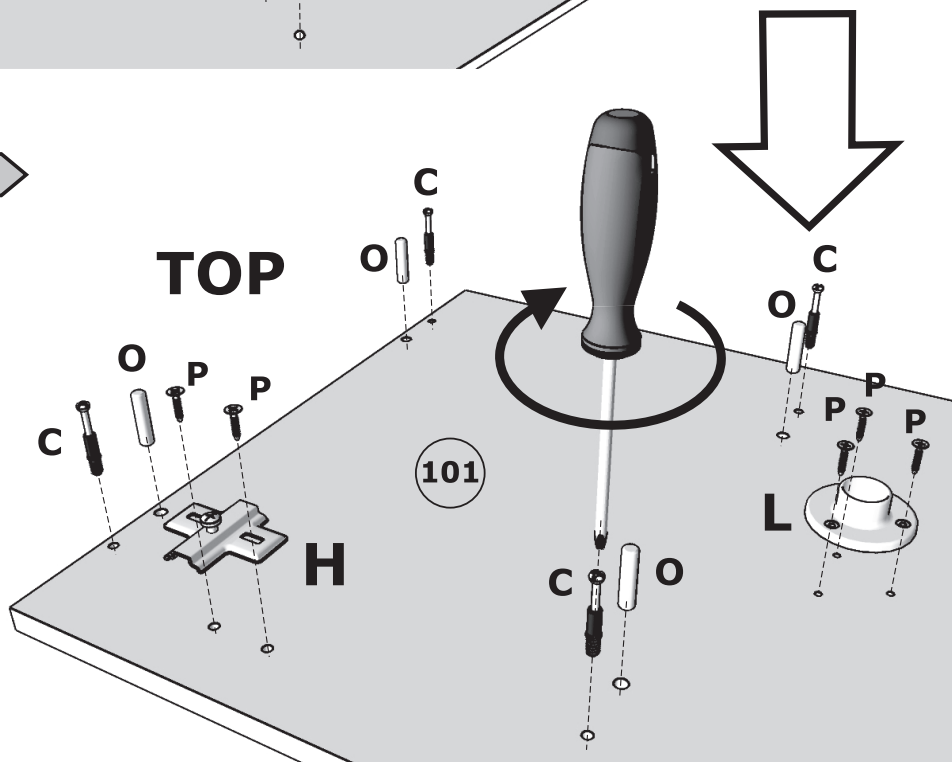


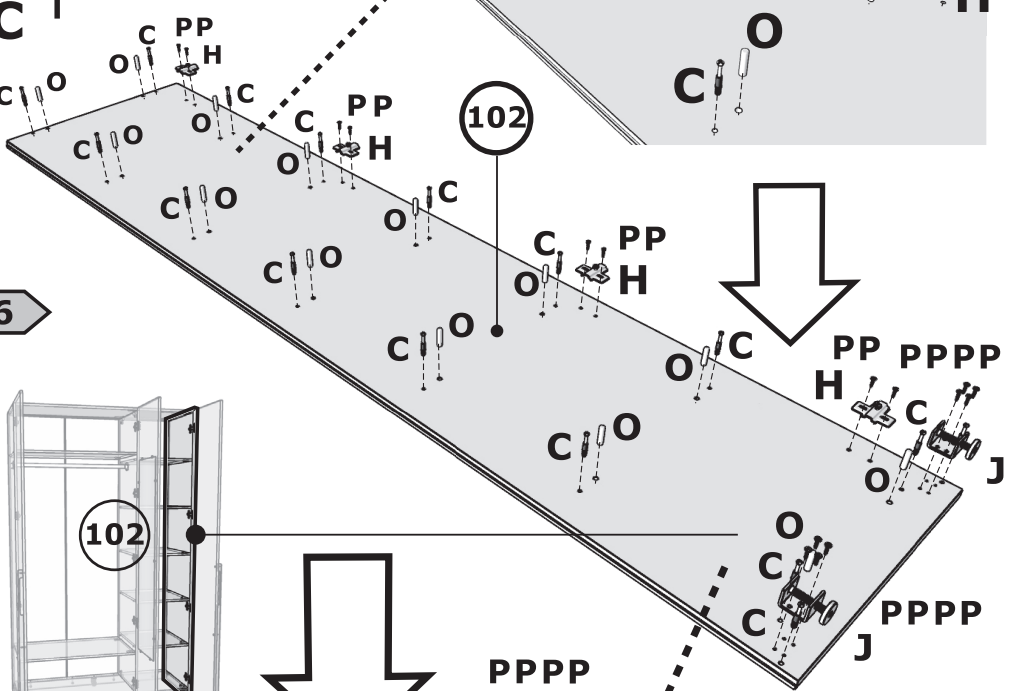
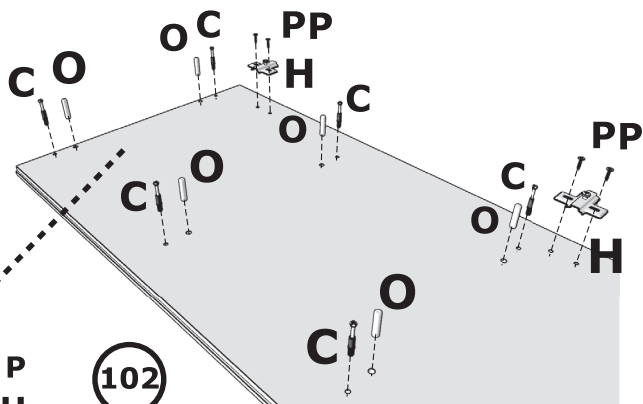
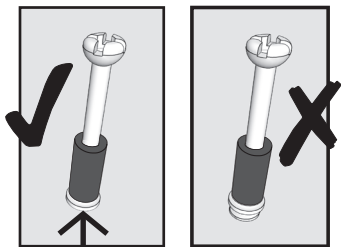
 <p>A x 14 6.4x50</p>	 <p>B x 38</p>	 <p>C x 38</p>	 <p>D x 10</p>
 <p>F x 6 M4x20</p>	 <p>G x 2</p>	 <p>H x 8</p>	 <p>I x 5</p>
 <p>J x 6</p>	 <p>K 874 mm D 25 mm</p>	 <p>L x 2</p>	 <p>M 1472 x 1 299 x 2</p>
 <p>N x 10</p>	 <p>O x 26 35x8</p>	 <p>P x 96 3.5x16</p>	



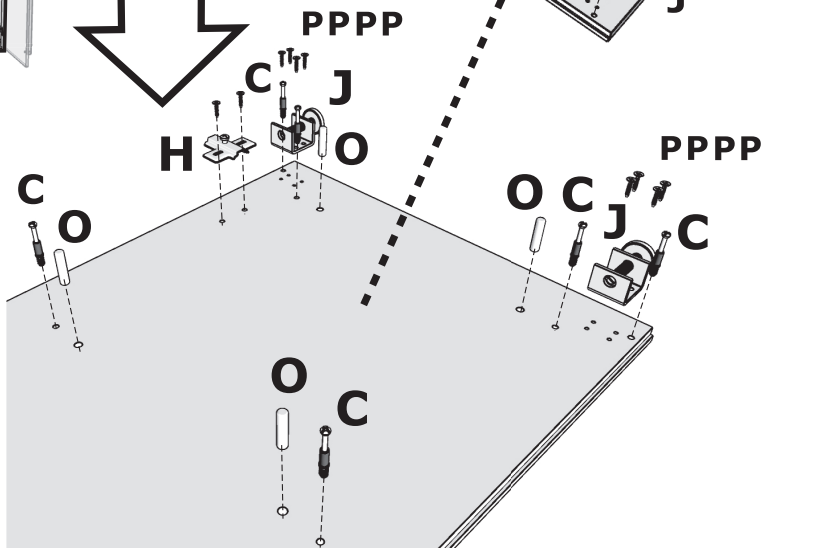


4





6



PP H

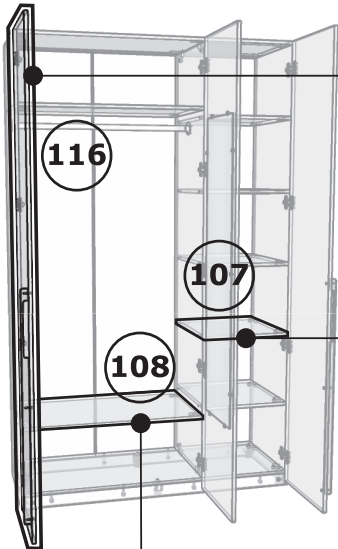
PP H

PP H

116

PP H

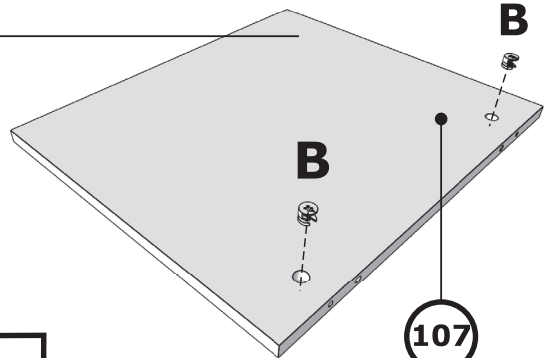
7



116

107

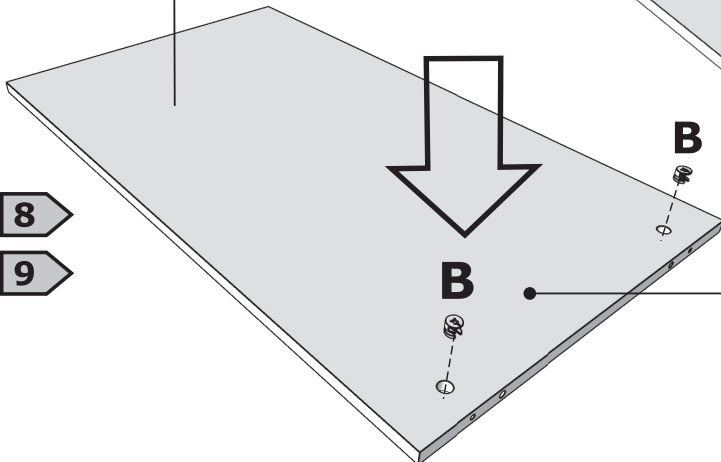
108



B

B

107



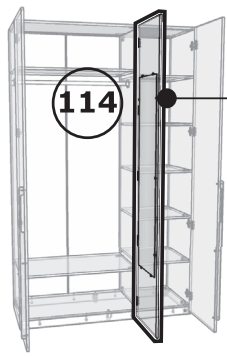
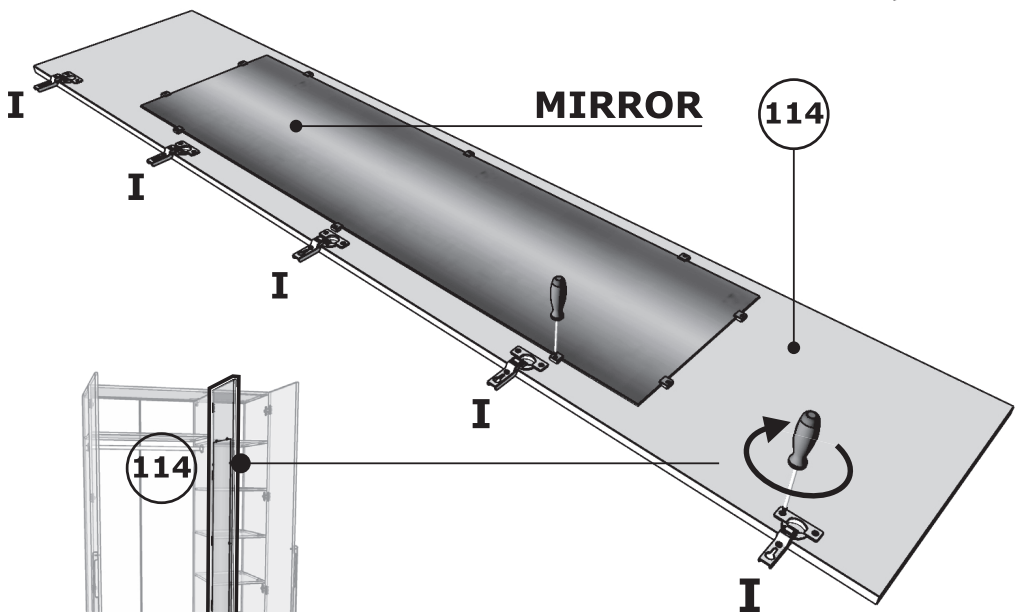
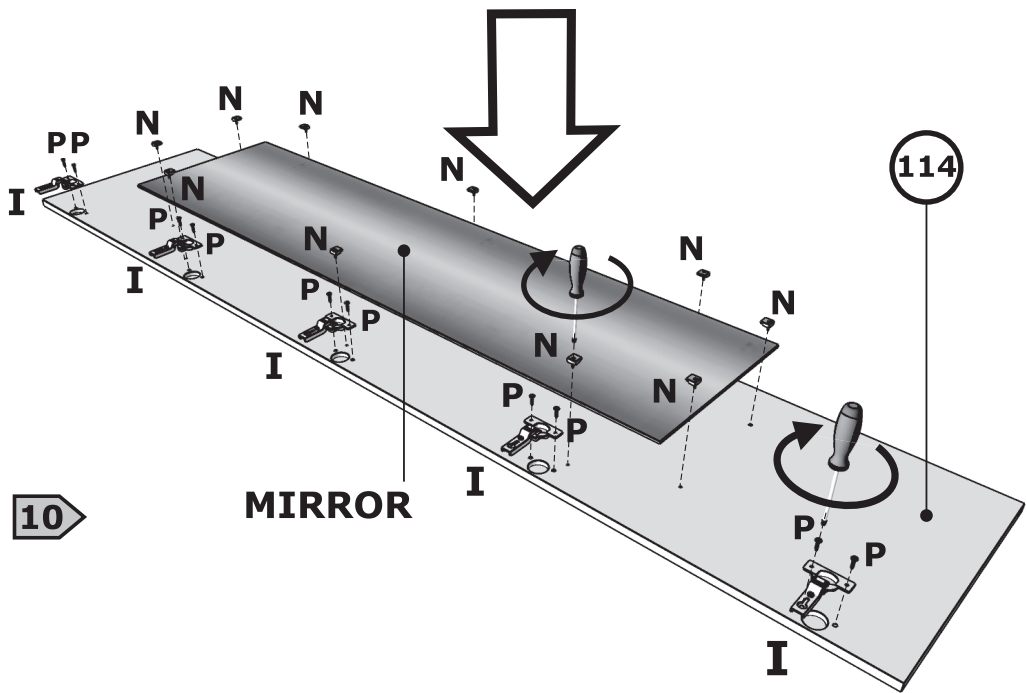
B

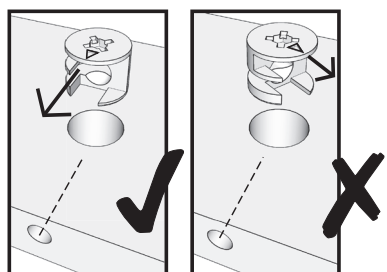
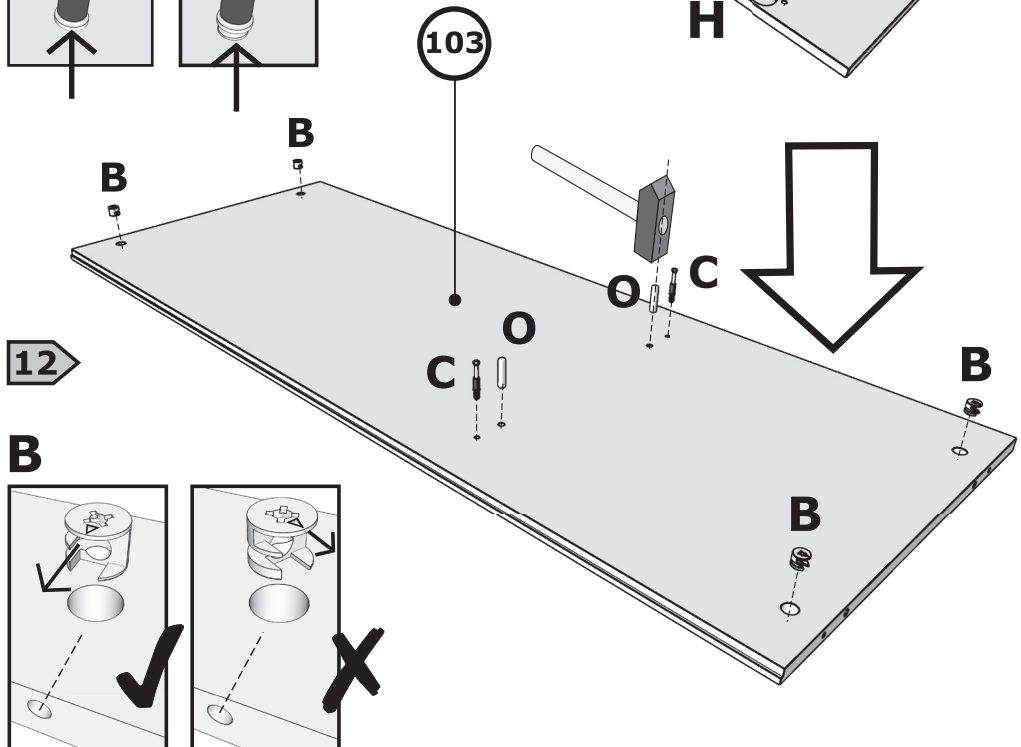
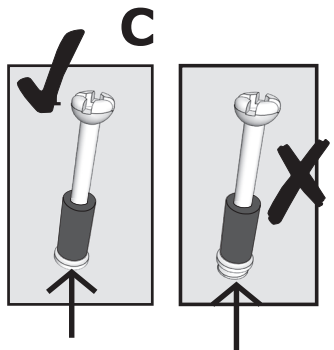
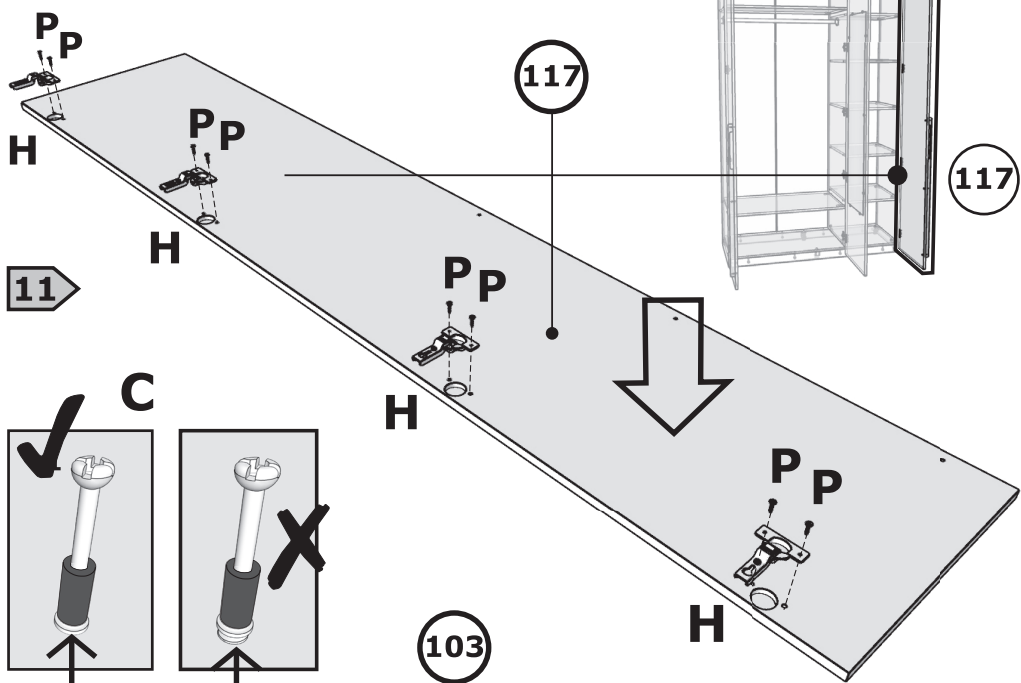
B

108

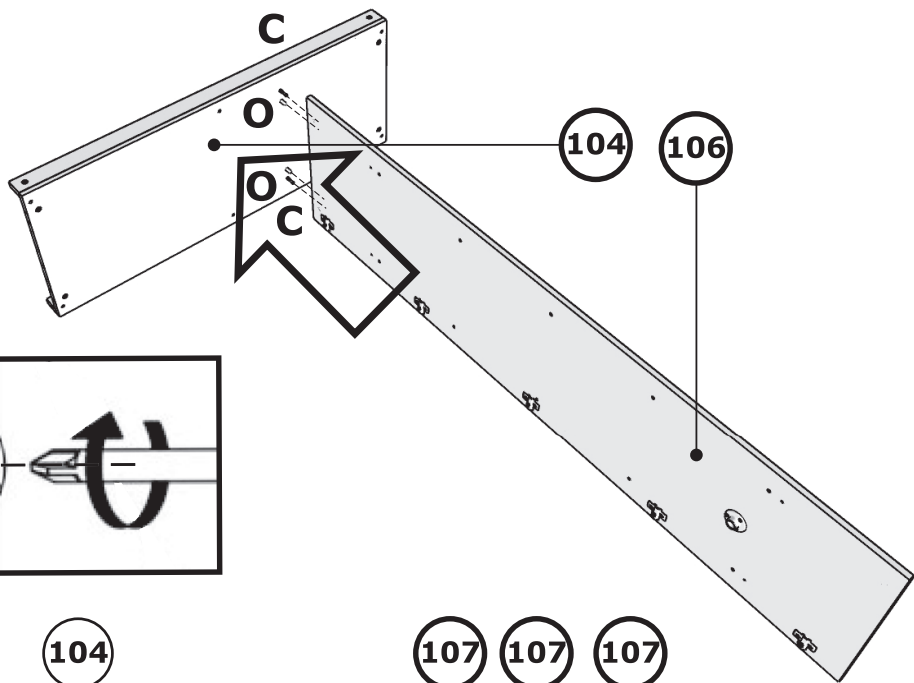
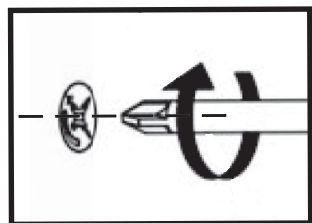
8

9

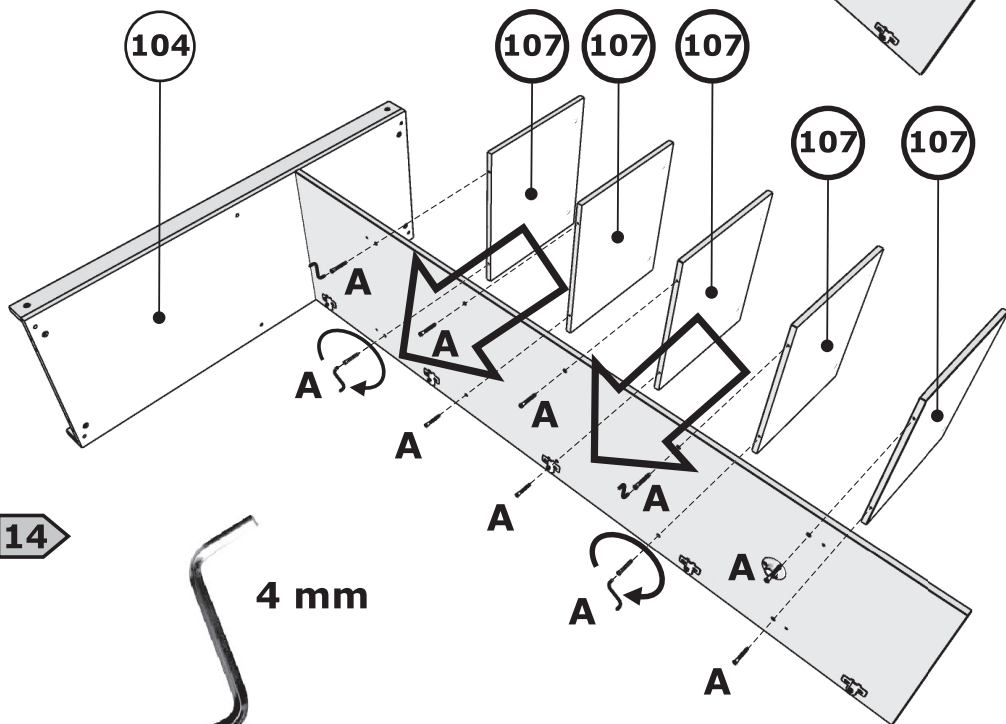




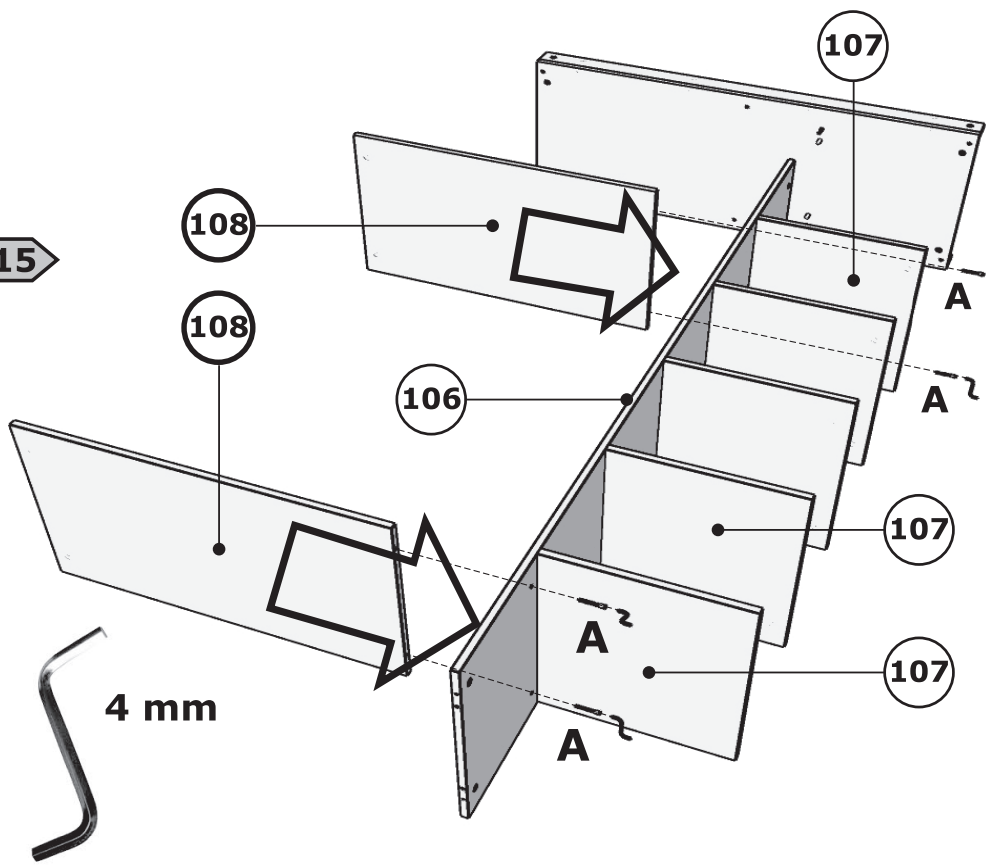
13



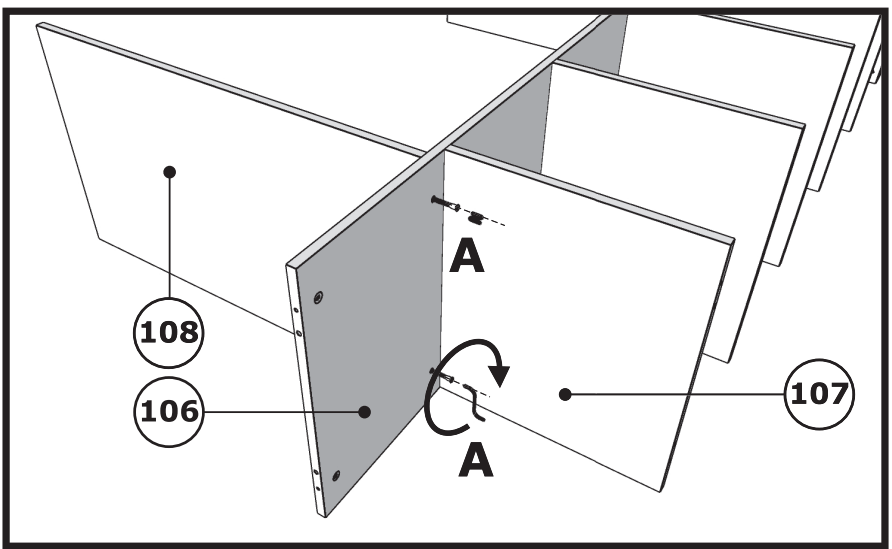
14



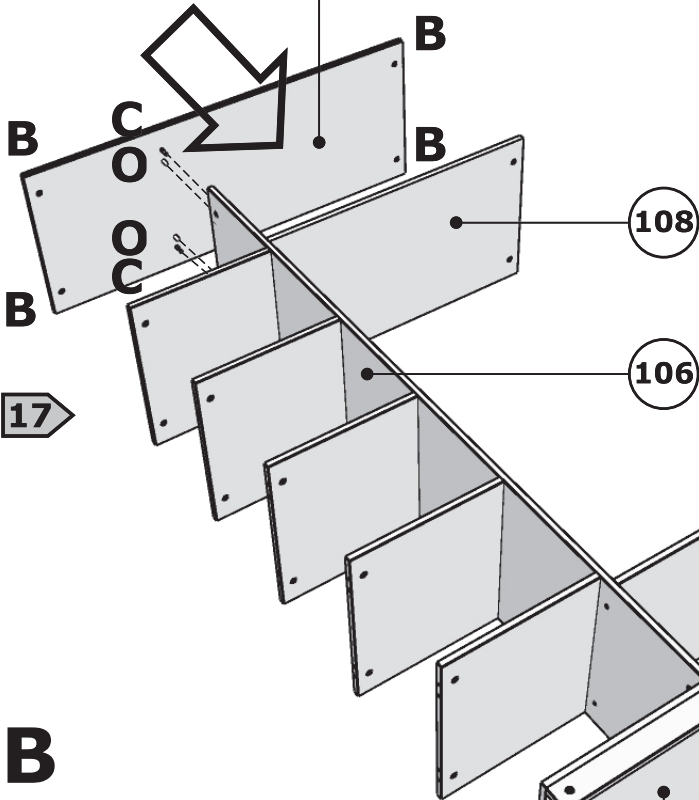
15



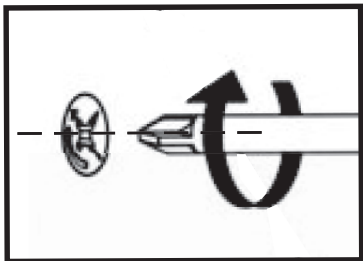
16



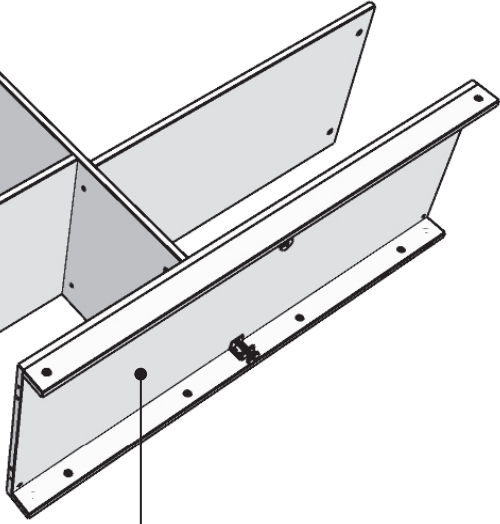
103



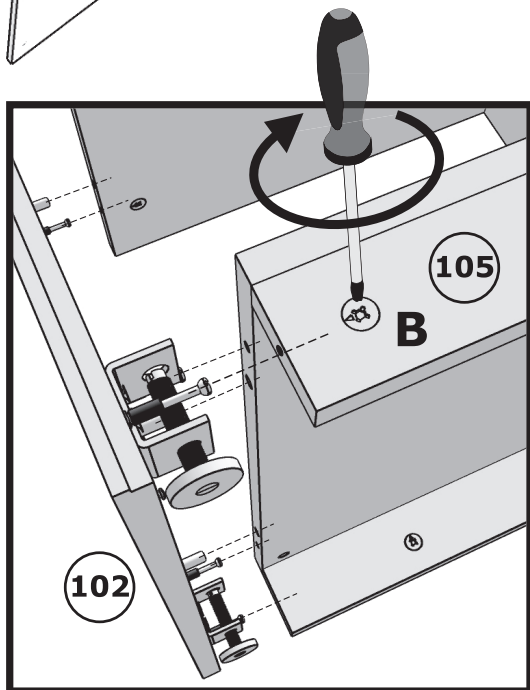
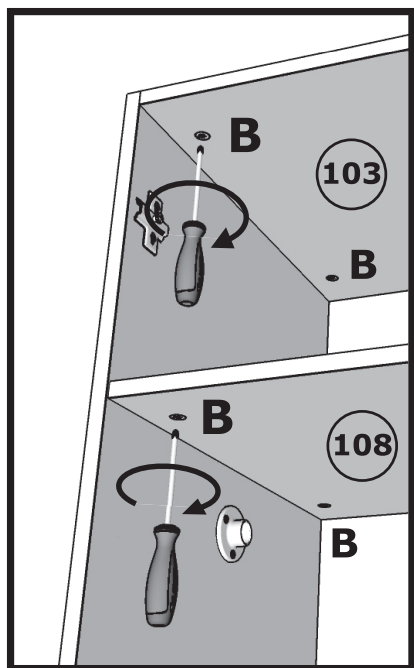
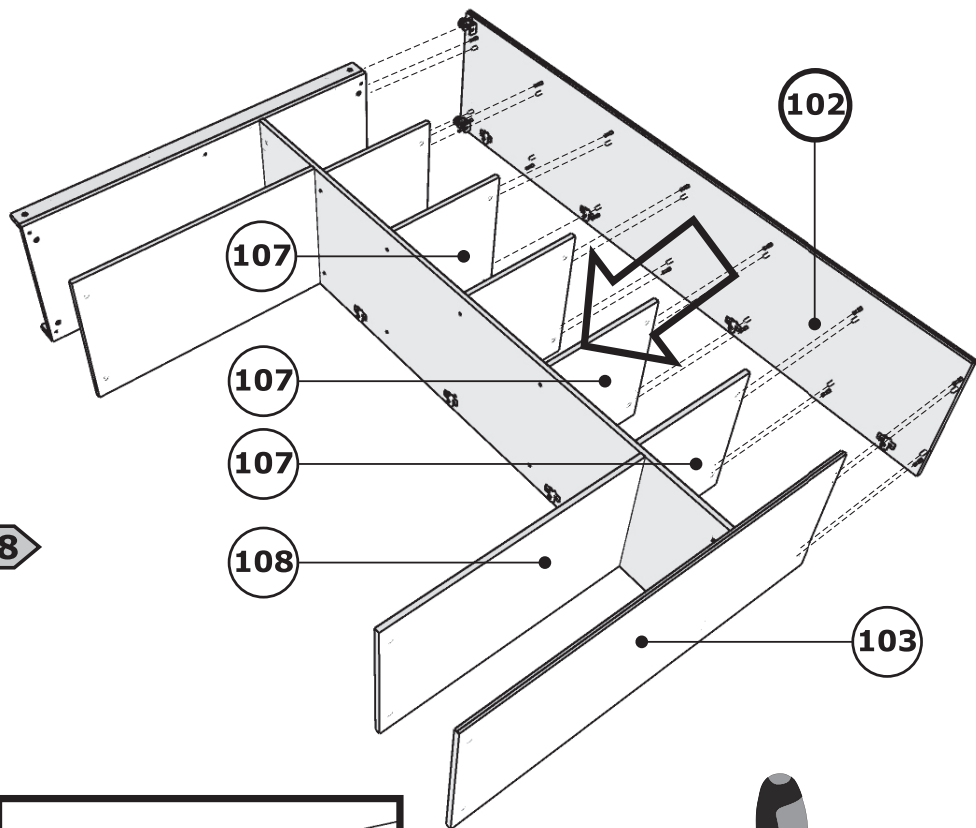
B

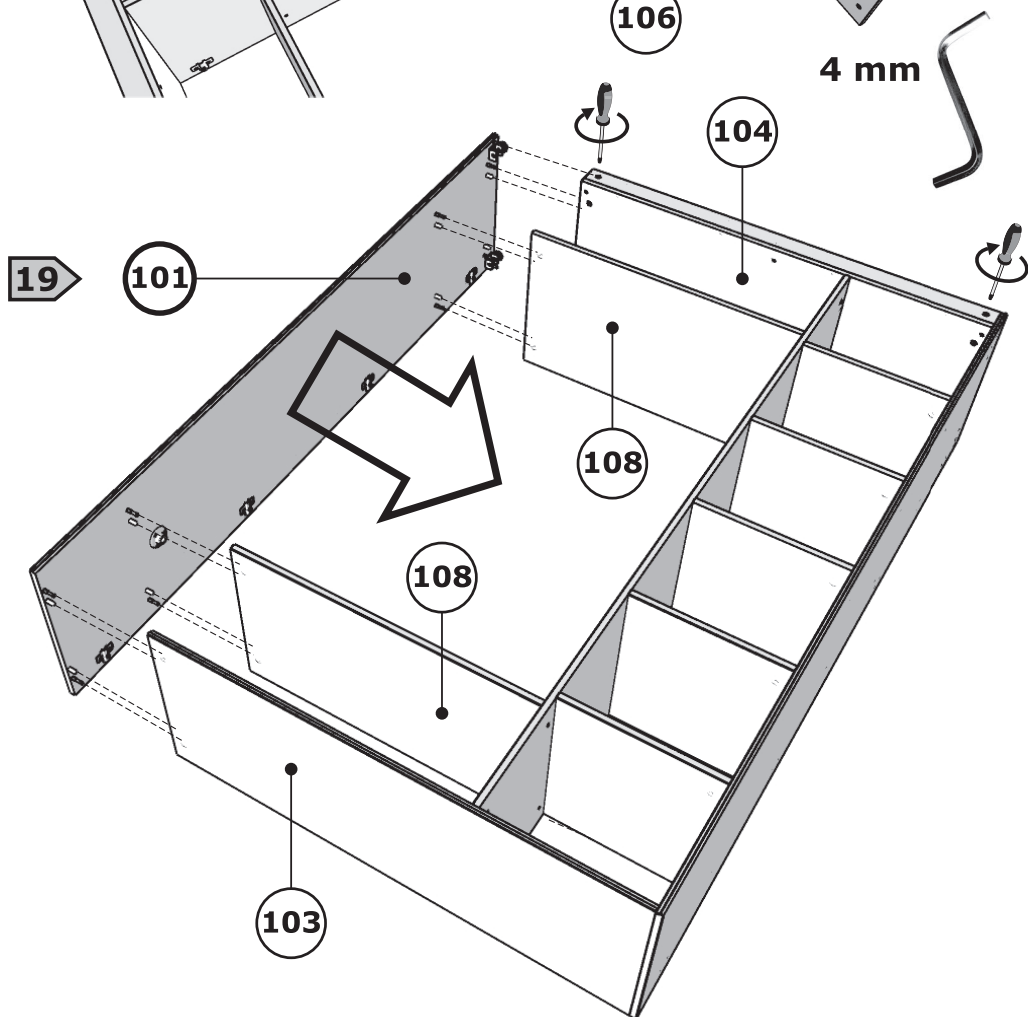
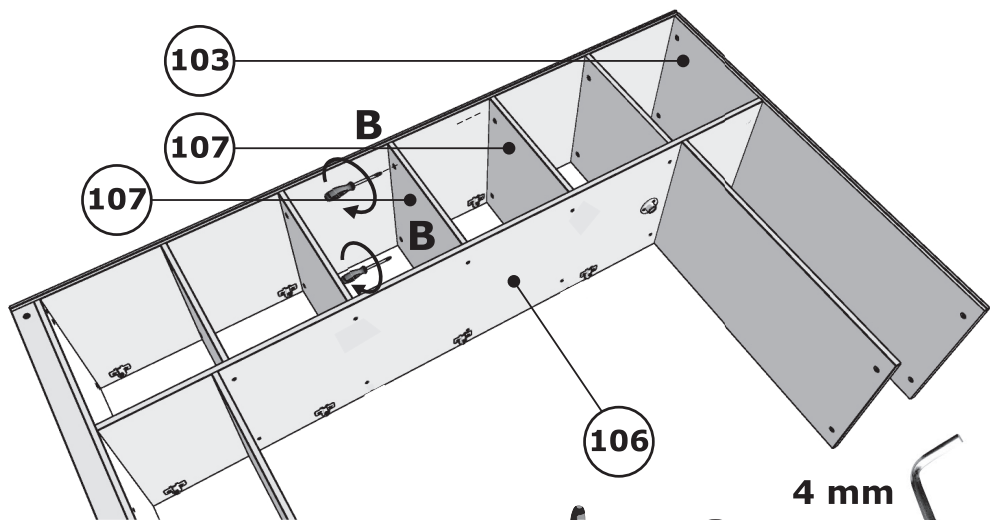


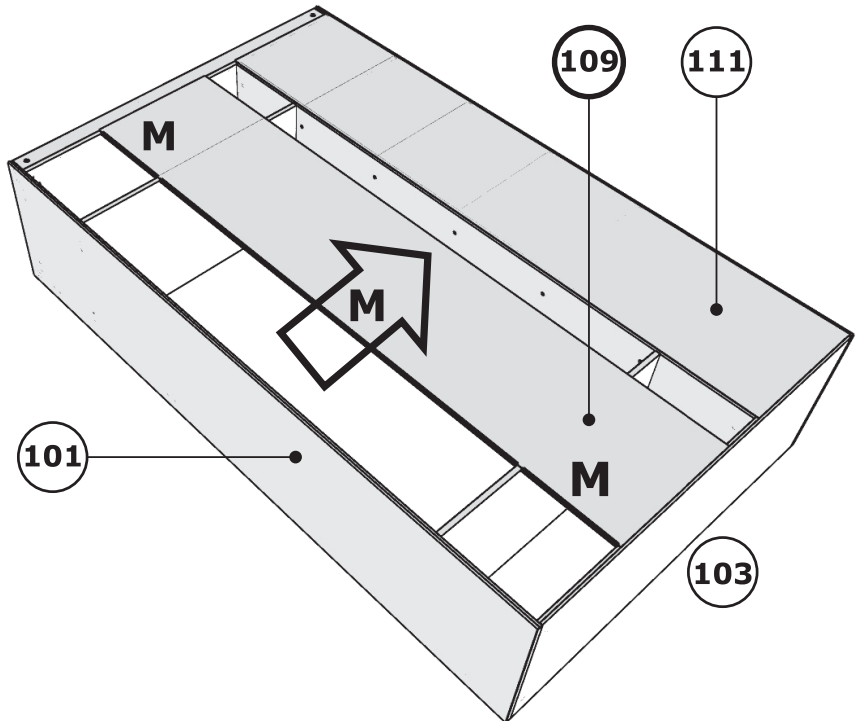
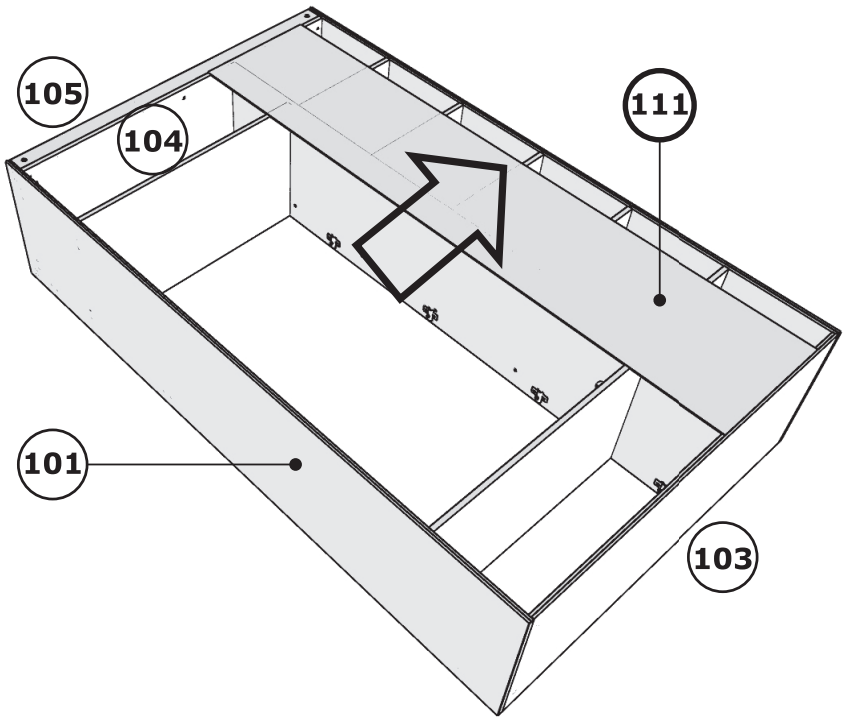
104



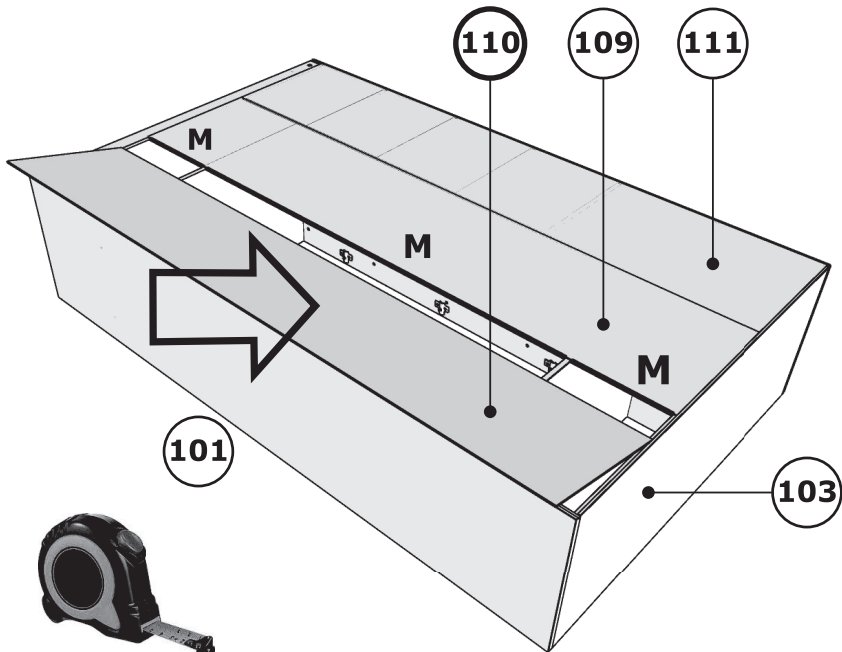
18





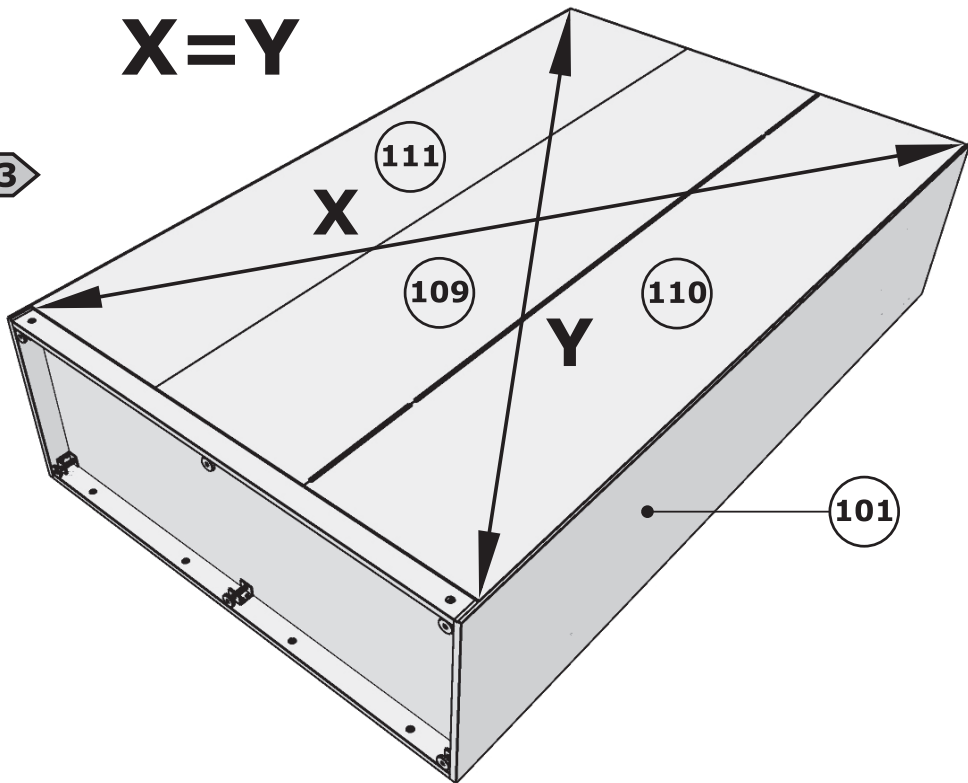


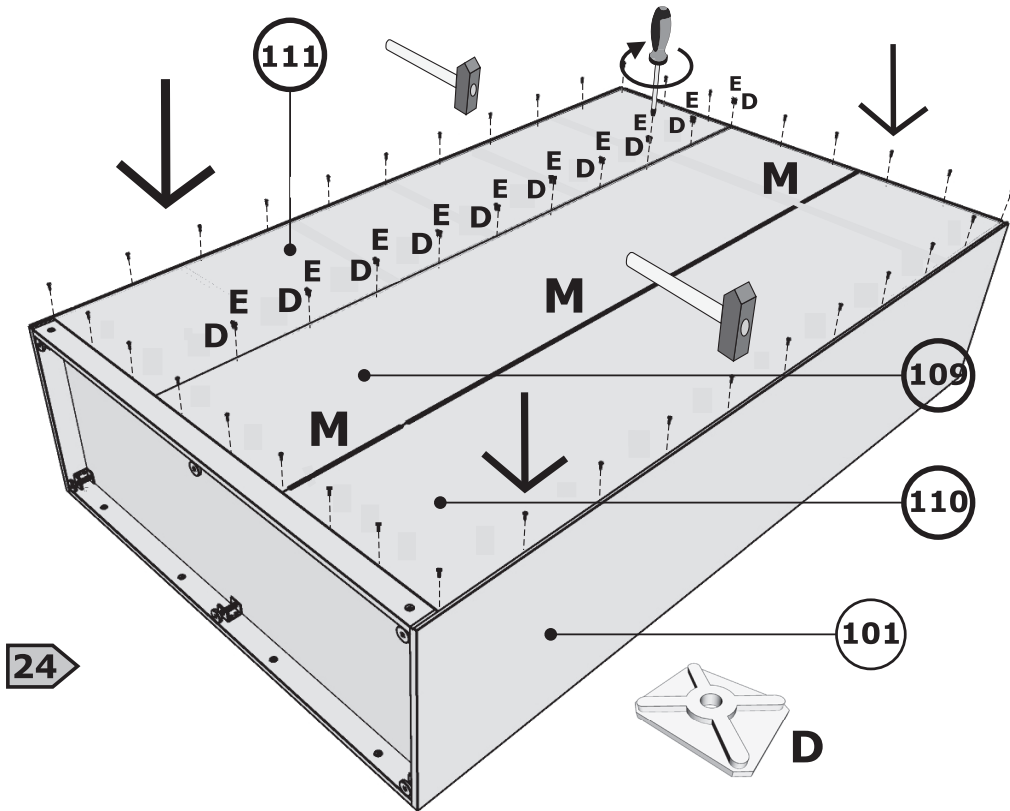
22



$$X = Y$$

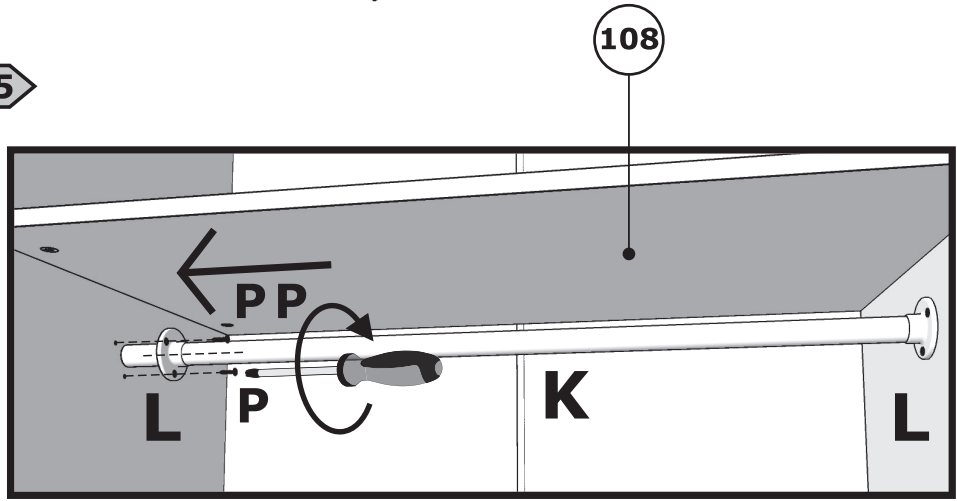
23





24

25



108

PP
L
P

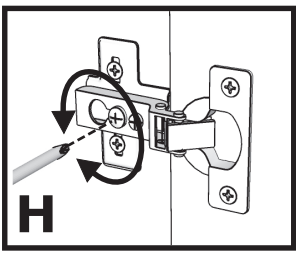
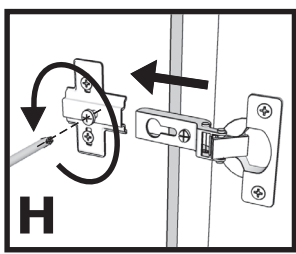
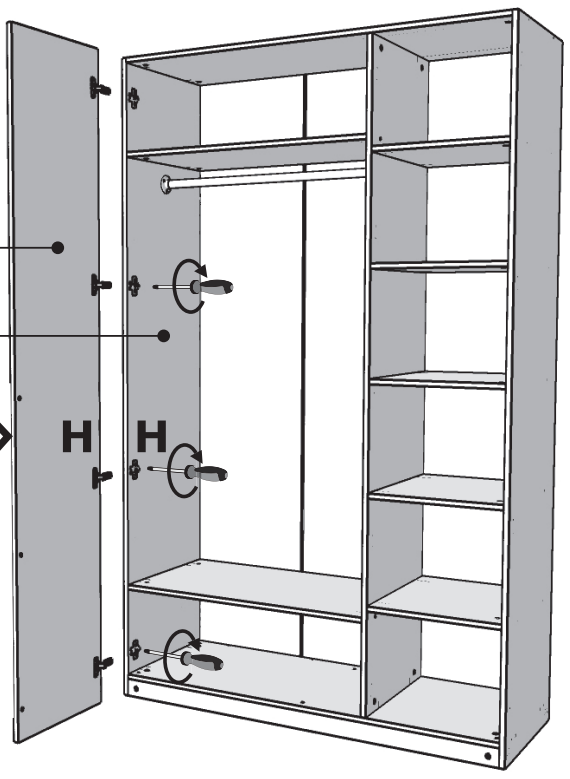
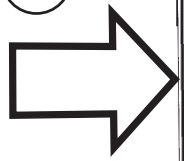
K

L

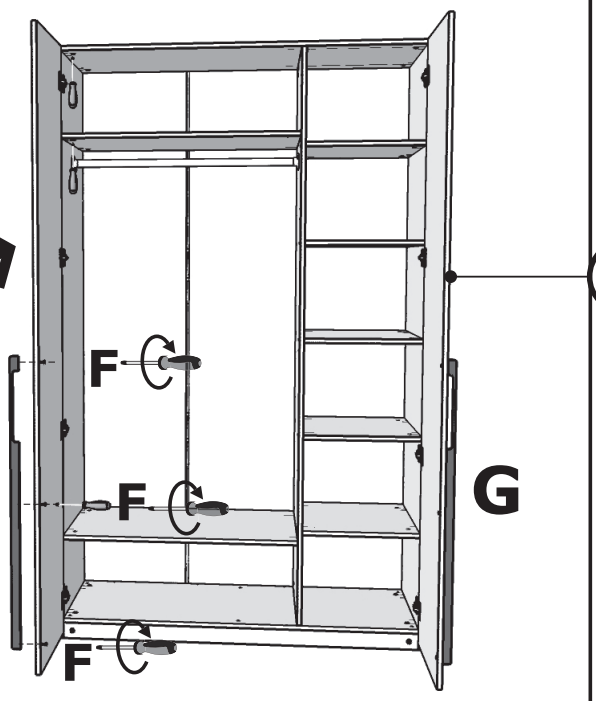
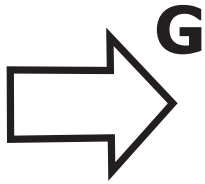
26

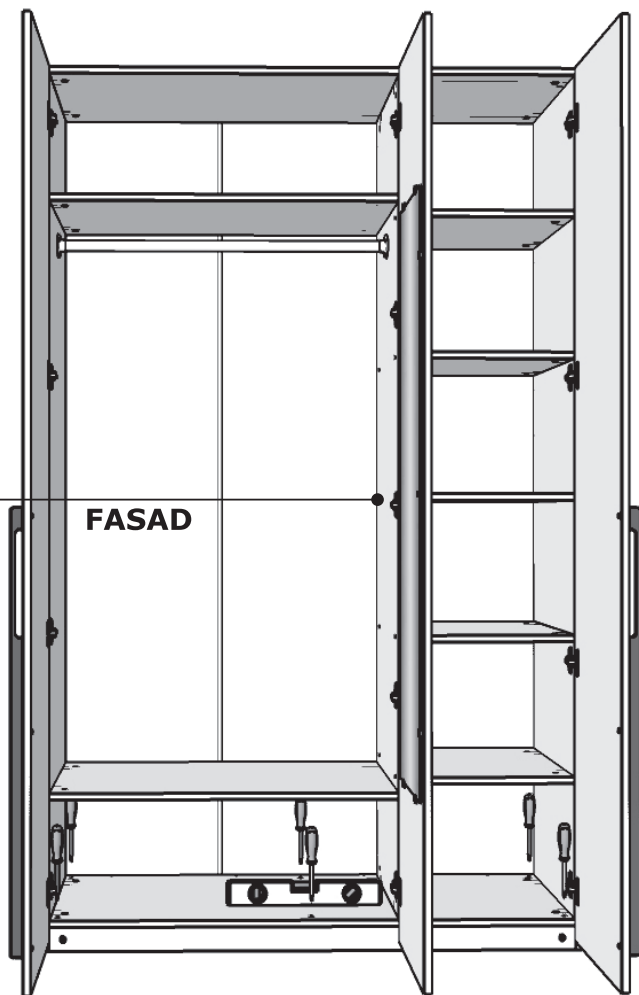
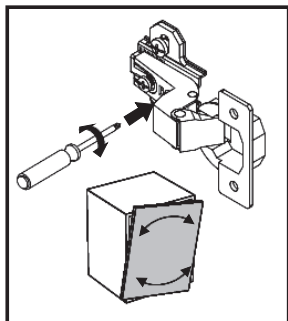
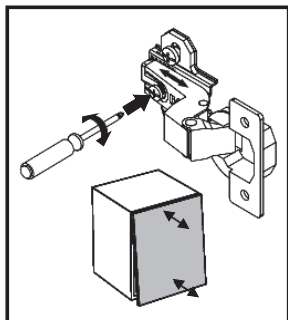
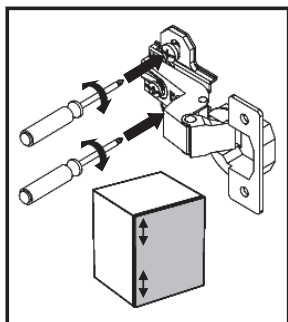
116

101



27





28

